



CUEPIX STRIP TRI™

SKU# CUE283

The new CUEPIX Strip TRI™ is a bar luminaire with (5) individual 3-in-1 30W RGB COB LEDs producing a 60° beam angle. Features include individual pixel control, strobe and zone chase effects, selectable dimming curves, DMX and RDM (Remote Device Management) support, 3/5pin XLR and power in/out connections, (4) button LCD menu display control, 150W max power consumption, and a multi-voltage universal auto switching power supply (100-240v).



FEATURES

60° Beam Angle RGB Bar Luminaire

(5) Pixel Controlled 30W 3-in-1 RGB COB LEDs

Strobe and Zone Chase Effects

Selectable Dimming Curve Effects

DMX and RDM (Remote Device Management) Support

Flicker Free Operation for Broadcast TV and FILM

Integrated Rigging Bracket

Optional 15° Lens Kit Available



Optional 15° Lens Kit



Specifications are subject to change without notice ©Elation Professional 07/15

Elation Professional USA | 6122 S. Eastern Ave. | Los Angeles, CA. 90040
323-582-3322 | 323-832-9142 fax | www.elationlighting.com | info@elationlighting.com

Elation Professional B.V. | Junostraat 2 | 6468 EW Kerkrade, Netherlands
+31 45 546 85 66 | +31 45 546 85 96 fax | www.elationlighting.eu | info@elationlighting.eu

PRODUCT SPECIFICATIONS

SOURCE

(5) 30W RGB 3-in-1 COB LEDs
100,000 Hour Average Lamp Life

PHOTOMETRIC DATA (60° Full ON)

4,170 LUX 387 FC @3.3' (1m)
1,150 LUX 107 FC @6.6' (2m)
540 LUX 50 FC @9.8' (3m)
253 LUX 24 FC @13.1' (4m)
157 LUX 15 FC @16.4' (5m)

EFFECTS

Individual Pixel Control
Strobe and Zone Chase Effects
Selectable Dimming Curves

COLOR

RGB

CONTROL / CONNECTIONS

(5) DMX Channel Modes (3 / 6 / 7 / 15 / 19)
RDM (Remote Device Management)
4 Button Touch Control Panel
3pin/5pin DMX In/Out
Power In/Out

SIZE / WEIGHT

Length: 21.6" (550mm)
Width: 6.4" (161.2mm)
Vertical Height: 6.8" (172.5mm)
Weight: 13.9 lbs. (6.3 kg)

ELECTRICAL / THERMAL

AC 100-240V - 50/60Hz
150W Max Power Consumption
14°F to 113°F (-10°C to 45°C)

APPROVALS / RATINGS

CE | cETLus | IP20

INSTALLATION

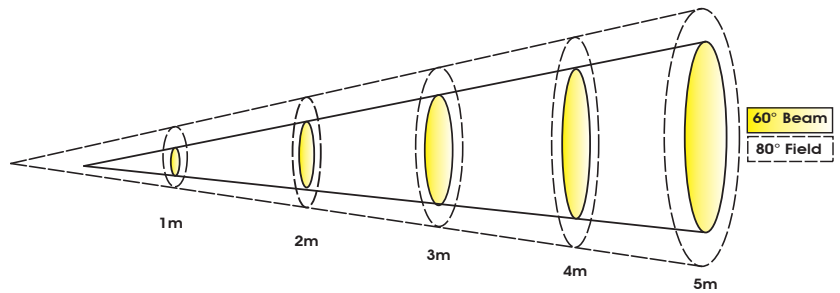
Rigging: Clamps (Not Included)
Working Position: Any (360°)

INCLUDED ITEMS

Power Cable

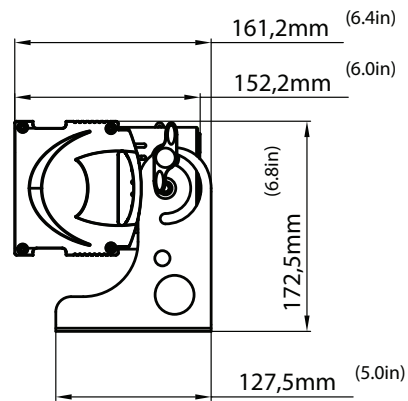
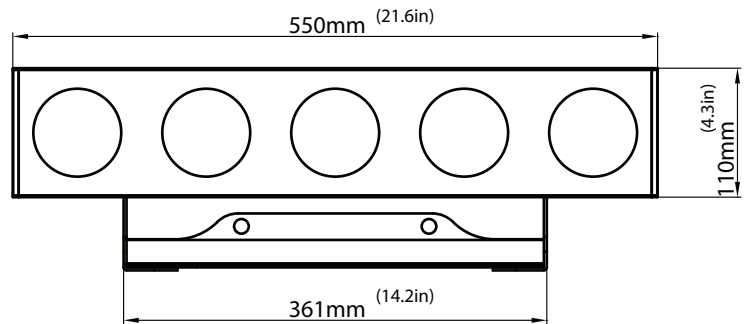


PHOTOMETRIC DATA



	1 m	3.3 ft	2 m	6.6 ft	3 m	9.8 ft	4 m	13.1 ft	5 m	16.4 ft
60° Beam Diameter	1.7	5.6	2.4	7.9	3.5	11.5	4.6	15.1	5.8	19.0
80° Field Diameter	2.2	7.2	3.4	11.2	5	16.4	6.7	22.0	8.4	27.6
	lux	fc	lux	fc	lux	fc	lux	fc	lux	fc
RED LEDs	1,169	109	315	29	151	14	84	8	57	5
GREEN LEDs	1,199	111	332	31	156	14	85	8	57	5
BLUE LEDs	1,880	175	508	47	232	22	133	12	86	8
FULL ON	4,170	387	1,150	107	540	50	253	24	157	15

DIMENSIONAL DIAGRAMS



OPTIONAL ACCESSORIES

ORDER CODE	ITEM
CUE283/15LK	CUEPIX Strip TRI & WW 15 Degree Lens Kit
TRIGGER CLAMP	Heavy Duty Wrap Around Hook Style Clamp
EWDMSYSTEM	Wireless DMX System (1 Transmitter, 1 Receiver)
PLC3	3' (1m) PRO Link Cable
AC3PDMX5PRO	5 ft. (1.5m) 3pin PRO DMX Cable
AC5PDMX5PRO	5 ft. (1.5m) 5pin PRO DMX Cable
	Additional cable lengths available



Specifications are subject to change without notice ©Elation Professional 07/15

Elation Professional USA | 6122 S. Eastern Ave. | Los Angeles, CA. 90040
323-582-3322 | 323-832-9142 fax | www.elationlighting.com | info@elationlighting.com

Elation Professional B.V. | Junostraat 2 | 6468 EW Kerkrade, Netherlands
+31 45 546 85 66 | +31 45 546 85 96 fax | www.elationlighting.eu | info@elationlighting.eu