

CUEPIX BATTEN™

user manual

©2015 **ELATION PROFESSIONAL** all rights reserved. Information, specifications, diagrams, images, and instructions herein are subject to change without notice. ELATION PROFESSIONAL logo and identifying product names and numbers herein are trademarks of ELATION PROFESSIONAL. Copyright protection claimed includes all forms and matters of copyrightable materials and information now allowed by statutory or judicial law or hereinafter granted. Product names used in this document may be trademarks or registered trademarks of their respective companies and are hereby acknowledged. All non-ELATION brands and product names are trademarks or registered trademarks of their respective companies.

ELATION PROFESSIONAL and all affiliated companies hereby disclaim any and all liabilities for property, equipment, building, and electrical damages, injuries to any persons, and direct or indirect economic loss associated with the use or reliance of any information contained within this document, and/or as a result of the improper, unsafe, insufficient and negligent assembly, installation, rigging, and operation of this product.

Elation Professional USA | 6122 S. Eastern Ave. | Los Angeles, CA. 90040
323-582-3322 | 323-832-9142 fax | TRlw.elationlighting.com | info@elationlighting.com

Elation Professional B.V. | Junostraat 2 | 6468 EW Kerkrade, Netherlands
+31 45 546 85 66 | +31 45 546 85 96 fax | TRlw.elationlighting.eu | info@elationlighting.eu

DOCUMENT VERSION



Please check www.elationlighting.com for the latest revision/update of this manual.

Date	Document Version	Software Version	DMX Channel Modes	Notes
2/2015	1	≥1.05	3 / 4 / 6 / 6H / 9 / 30 / 36 / 60	Initial release.
09/18/20	2	1.13	N/C	Updated Primary/Secondary

CONTENTS

General Information	4
Warranty	6
Safety Instructions	7
General Guidelines	8
Fixture Overview	9
Fixture Installation	10
Understanding DMX	12
Fixture Menu	16
DMX Channel Functions And Values	21
Cleaning and Maintenance	27
Technical Specifications	28
Optional Accessories	30

GENERAL INFORMATION

INTRODUCTION

Congratulations, you have just purchased one of the most innovative and reliable lighting fixtures on the market today! The **CUEPIX BATTEN™** has been designed to perform reliably for years when the guidelines in this booklet are followed. Please read and understand the instructions in this manual carefully and thoroughly before attempting to operate this unit. These instructions contain important information regarding safety during use and maintenance.

UNPACKING

Thank you for purchasing the **CUEPIX BATTEN™** by Elation Professional®. Every **CUEPIX BATTEN™** has been thoroughly tested and has been shipped in perfect operating condition. Carefully check the shipping carton for damage that may have occurred during shipping. If the carton appears to be damaged, carefully inspect your unit for damage and be sure all accessories necessary to operate the unit have arrived intact. In the event damage has been found or parts are missing, please contact our customer support team for further instructions. Please do not return this unit to your dealer without first contacting customer support at the number listed below. Please do not discard the shipping carton in the trash. Please recycle whenever possible.

BOX CONTENTS

- (1) Locking Power Cable
- Manual & Warranty Card

CUSTOMER SUPPORT

Elation Professional® provides a customer support line, to provide set up help and to answer any question should you encounter problems during your set up or initial operation. You may also visit us on the web at TRLw.elationlighting.com for any comments or suggestions. For service related issue please contact Elation Professional®.

ELATION SERVICE USA - Monday - Friday 8:00am to 5:00pm PST

Voice: 323-582-3322

Fax: 323-832-9142

E-mail: support@elationlighting.com

ELATION SERVICE EUROPE - Monday - Friday 08:30 to 17:00 CET

Voice: +31 45 546 85 30

Fax: +31 45 546 85 96

E-mail: support@elationlighting.eu

WARRANTY REGISTRATION

Please fill out the enclosed warranty card to validate your purchase. All returned service items whether under warranty or not, must be freight pre-paid and accompany a return authorization (R.A.) number. The R.A. number must be clearly written on the outside of the return package. A brief description of the problem as well as the R.A. number must also be written down on a piece of paper and included in the shipping container. If the unit is under warranty, you must provide a copy of your proof of purchase invoice. Items returned without a R.A. number clearly marked on the outside of the package will be refused and returned at customer's expense. You may obtain a R.A. number by contacting customer support.

IMPORTANT NOTICE!



There are no user serviceable parts inside this unit. Do not attempt any repairs yourself; doing so will void your manufactures warranty. Damages resulting from modifications to this fixture and/or the disregard of safety and general user instructions found in this user manual void the manufactures warranty and are not subject to any warranty claims and/or repairs.

LIMITED WARRANTY

A. Elation Professional® hereby warrants, to the original purchaser, Elation Professional® products to be free of manufacturing defects in material and workmanship for a period of two years (730 days), and Elation Professional® product rechargeable batteries to be free of manufacturing defects in material and workmanship for a period of six months (180 days), from the original date of purchase. This warranty excludes discharge lamps and all product accessories. This warranty shall be valid only if the product is purchased within the United States of America, including possessions and territories. It is the owner's responsibility to establish the date and place of purchase by acceptable evidence, at the time service is sought.

B. For warranty service, send the product only to the Elation Professional® factory. All shipping charges must be pre-paid. If the requested repairs or service (including parts replacement) are within the terms of this warranty, Elation Professional® will pay return shipping charges only to a designated point within the United States. If any product is sent, it must be shipped in its original package and packaging material. No accessories should be shipped with the product. If any accessories are shipped with the product, Elation Professional® shall have no liability what so ever for loss and/or or damage to any such accessories, nor for the safe return thereof.

C. This warranty is void if the product serial number and/or labels are altered or removed; if the product is modified in any manner which Elation Professional® concludes, after inspection, affects the reliability of the product; if the product has been repaired or serviced by anyone other than the Elation Professional® factory unless prior written authorization was issued to purchaser by Elation Professional®; if the product is damaged because not properly maintained as set forth in the product instructions, guidelines and/or user manual.

D. This is not a service contract, and this warranty does not include any maintenance, cleaning or periodic check-up. During the periods as specified above, Elation Professional® will replace defective parts at its expense, and will absorb all expenses for warranty service and repair labor by reason of defects in material or workmanship. The sole responsibility of Elation Professional® under this warranty shall be limited to the repair of the product, or replacement thereof, including parts, at the sole discretion of Elation Professional®. All products covered by this warranty were manufactured after January 1, 1990, and bare identifying marks to that effect.

E. Elation Professional® reserves the right to make changes in design and/or performance improvements upon its products without any obligation to include these changes in any products theretofore manufactured.

F. No warranty, whether expressed or implied, is given or made with respect to any accessory supplied with the products described above. Except to the extent prohibited by applicable law, all implied warranties made by Elation Professional® in connection with this product, including warranties of merchantability or fitness, are limited in duration to the warranty periods set forth above. And no warranties, whether expressed or implied, including warranties of merchantability or fitness, shall apply to this product after said periods have expired. The consumer's and/or dealer's sole remedy shall be such repair or replacement as is expressly provided above; and under no circumstances shall Elation Professional® be liable for any loss and/or damage, direct and/or consequential, arising out of the use of, and/or the inability to use, this product.

G. This warranty is the only written warranty applicable to Elation Professional® products and supersedes all prior warranties and written descriptions of warranty terms and conditions heretofore published.

SAFETY INSTRUCTIONS



The **CUEPIX BATTEN™** is an extremely sophisticated piece of electronic equipment. To guarantee a smooth operation, it is important to follow the guidelines in this manual. The manufacturer of this device will not accept responsibility for damages resulting from the misuse of this fixture due to the disregard of the information printed in this manual.



This device falls under **PROTECTION CLASS 1**. It's essential this device be grounded properly. Only qualified personnel should perform all electrical connections.



KEEP THIS FIXTURE AWAY FROM RAIN AND MOISTURE!



UNPLUG POWER BEFORE SERVICING FIXTURE



NEVER TOUCH FIXTURE DURING OPERATION AS IT MAY BE HOT



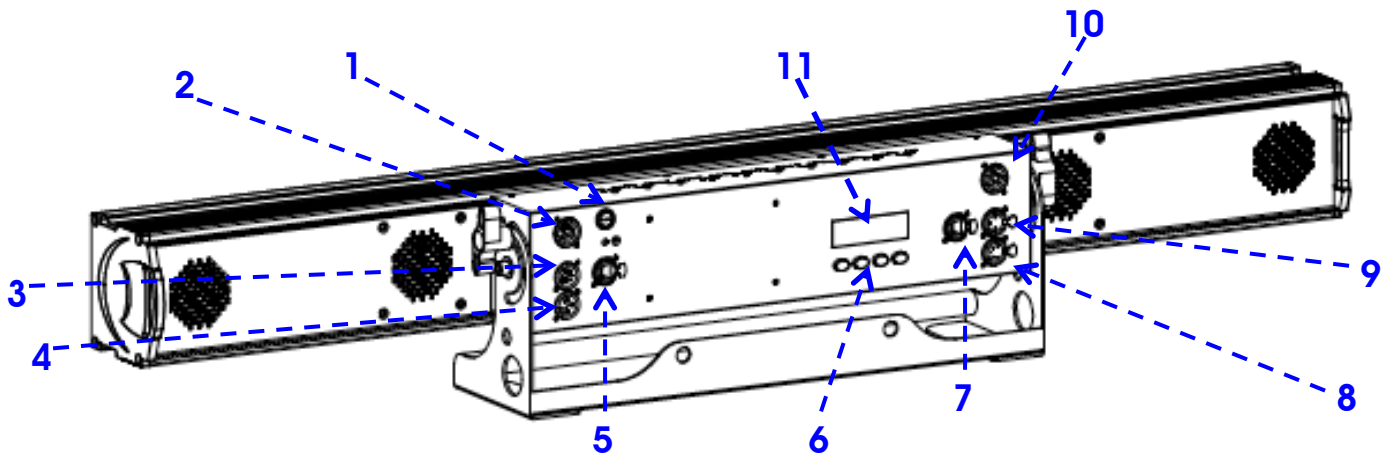
**NEVER LOOK DIRECTLY INTO THE LIGHT SOURCE
SENSITIVE PERSONS MAY SUFFER AN EPILEPTIC SHOCK**

- For proper operation, follow the **Installation** guidelines described in this manual. Only qualified and certified personnel should perform installation of this fixture and only the original rigging parts (brackets) included with this fixture should be used for installation. Any modifications will void the original manufacturer's warranty and increase the risk of damage and/or personal injury.
- Never look directly into the light source of this fixture to prevent risk of injury to your retina, which may induce blindness. Those suffering from **EPILEPSY** should avoid looking directly into the light source of this unit at all times.
- The fan and air inlets must remain clean and never blocked. Allow approx. 6" (15cm) between this fixture and other devices or a wall for proper cooling.
- Always disconnect from main power source before performing any type of service and/or cleaning procedure. Only handle the power cord by the plug end, never pull out the plug by tugging the wire portion of the cord.
- Do not operate this fixture if the power cord has become frayed, crimped and/or damaged. If the power cord is damaged, replace it immediately with a new one of similar power rating.

GENERAL GUIDELINES

- **NEVER OPEN THIS FIXTURE WHILE IN USE!**
- During the initial operation of this fixture, a light smoke or smell may emit from the interior of the fixture. This is a normal process and is caused by excess paint in the interior of the casing burning off from the heat associated with the lamp and will decrease gradually over time.
- This fixture is a professional lighting effect designed for **INDOOR / DRY LOCATIONS ONLY** on stage, in nightclubs, theatres, etc.
- Please make sure there are **NO FLAMMABLE MATERIALS** close to the fixture while operating, to prevent any fire hazard.
- The fixture must be installed in a location with adequate ventilation, at least 1.5 feet (.5m) from adjacent surfaces. Be sure no air ventilation slots are blocked.
- **DO NOT** attempt installation and/or operation without knowledge how to do so.
- **DO NOT** permit operation by persons who are not qualified to operate this type of fixture. Most damages are the result of operations by nonprofessionals.
- Consistent operational breaks may ensure the fixture will function properly for many years to come.
- **DO NOT** shake fixture, avoid brute force when installing and/or operating fixture.
- Always install the fixture with an appropriate safety cable. When installing the fixture in a suspended environment, always use mounting hardware that is no less than M10 x 25 mm, also be sure the hardware is insert in the pre-arranged screw holes in the bracket of the fixture.
- Use the original packaging and materials to transport the fixture in for service.
- **DO NOT TOUCH** the housing bare-hand during its operation. Turn OFF the power and allow approximately 15 minutes for the fixture to cool down before replacing or serving.

FIXTURE OVERVIEW



1. Fuse
2. Power IN
3. 3pin DMX IN
4. 5pin DMX IN
5. RJ45 NET IN
6. MODE, UP, DOWN, ENTER Buttons
7. RJ45 NET OUT
8. 5pin DMX OUT
9. 3pin DMX OUT
10. Power OUT
11. LCD Menu Control Display

FIXTURE INSTALLATION



FLAMMABLE MATERIAL WARNING

Keep fixture at least 5.0 ft. (1.5m) away from any flammable materials, decorations, pyrotechnics, etc.



ELECTRICAL CONNECTIONS

A qualified electrician should be used for all electrical connections and/or installations.



CAUTIONS

- For added protection, mount the fixture in areas outside walking paths, seating areas, or in areas where unauthorized personnel might reach the fixture.
- Ambient operating temperature range for this fixture is **5°F to 113°F (-15°C to 45°C)**. Do not use the fixture under or above this temperature.
- Before mounting the fixture to any surface, make sure the installation area can hold a minimum point load of 10 times the weight of the fixture. **(210 lbs / 950 kg)**
- Fixture installation must always be secured with a secondary safety attachment, such as an appropriate safety cable.
- Never stand directly below the device when mounting, removing or servicing.



POWER LINKING

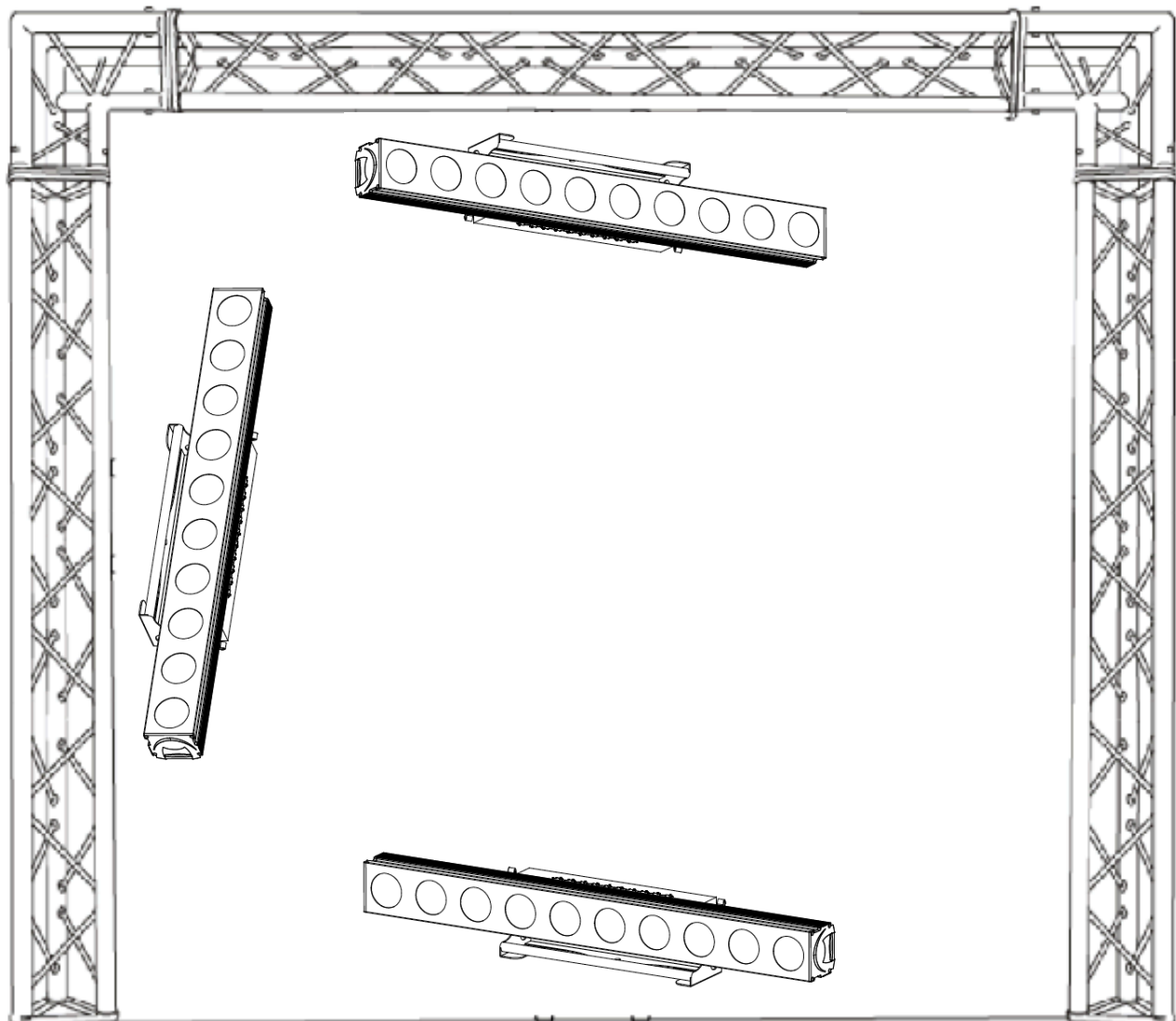
Max number of units that can be power linked is **5 units @110V** and **10 units @240V**.

CLAMP MOUNTING

The **CUEPIX BATTEN™** provides an integrated yoke/rigging bracket. When mounting this fixture to truss be sure to secure an appropriately rated clamps to the yoke/rigging bracket using a M10 screw fitted through the center hole.

MOUNTING POINTS

- Overhead mounting requires extensive experience, including amongst others calculating working load limits, installation material being used, and periodic safety inspection of all installation material and the device. If you lack these qualifications, do not attempt the installation yourself. Improper installation can result in bodily injury.
- Fixture is fully operational in the specific mounting positions as illustrated below.



SAFETY CABLE

Always use a Safety Cable whenever installing this fixture in a suspended environment to ensure the fixture will not drop if the clamp fails.

UNDERSTANDING DMX

DMX-512

DMX is short for Digital Multiplex. This is a universal protocol used by most lighting and controller manufactures as a form of communication between intelligent fixtures and controllers. DMX allows all makes and models of different manufactures to be linked together and operate from a single controller. This is possible as long as all the fixtures and the controller are DMX compliant. A DMX controller sends the DMX data instructions to the fixture allowing the user to control the different aspects of an intelligent light. DMX data is sent out as serial data that travels from fixture to fixture via data "IN" and data "OUT" XLR terminals located on the fixtures (most controllers will only have output jacks).

DMX LINKING

To ensure proper DMX data transmission, always use proper DMX cables and a terminator. When using several DMX fixtures try to use the shortest cable path possible. Never split a DMX line with a "Y" style connector. The order in which the fixtures are connected in a DMX line does not influence the DMX addressing. For example; a fixture assigned a starting DMX address of 1 may be placed anywhere in the DMX chain, at the beginning, at the end, or anywhere in the middle. The DMX controller knows to send data assigned to address 1 to that fixture no matter where it is located in the DMX chain. The **CUEPIX BATTEN™** can be controlled via DMX-512 protocol and the DMX address is set via the control menu.

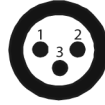
DATA CABLE (DMX Cable) REQUIREMENTS (For DMX and Primary/Secondary Operation)

Your fixture and your DMX controller require a standard 3pin or 5pin XLR connector for data input and data output (see figure below). If you are making your own cables, be sure to use two conductor, shielded digital DMX cables rated at 120 ohms; this cable is designed for DMX transmission and may be purchased from your Elation dealer or at most professional lighting retailers. Your cables should be made with a male and female XLR connector on either end of the cable. Also, remember that a DMX line must be daisy chained and cannot be split, unless using a approved DMX splitter such as **Elation's Opto Branch 4™, Opto Branch 8™ or DMX-Branch/4™**.

DMX Output
3-Pin XLR Socket



DMX Input
3-Pin XLR Socket

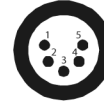


- 1: Ground
- 2: Data (-)
- 3: Data (+)


DMX Output
5-Pin XLR Socket



DMX Input
5-Pin XLR Socket



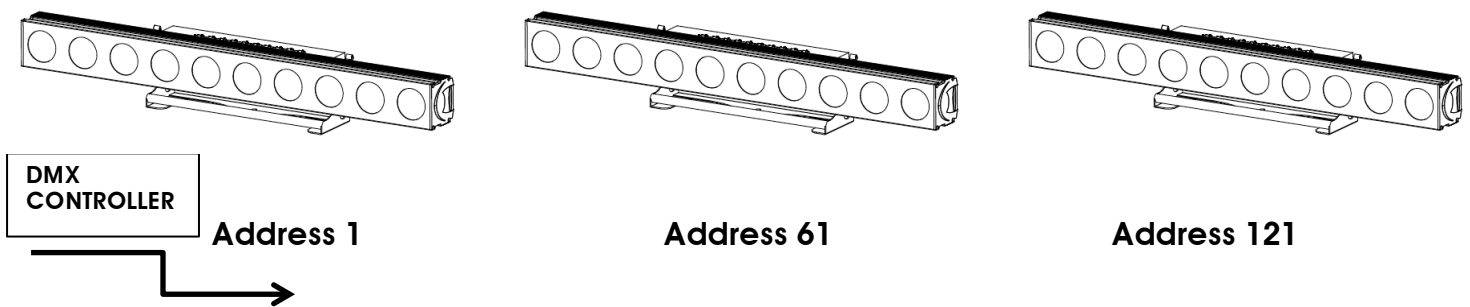
- 1: Ground
- 2: Data (-)
- 3: Data (+)
- 4: Open
- 5: Open



Be sure to follow the above figure when making your own cables. Do not use the ground lug on the XLR connector. Do not connect the cable's shield conductor to the ground lug or allow the shield conductor to come in contact with the XLR outer casing. Grounding the shield could cause a short circuit and erratic behavior.

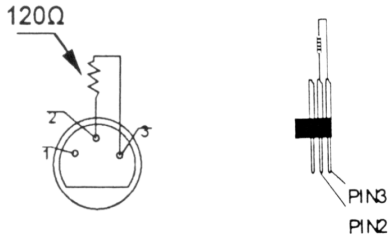
DMX-512 CONTROLLER CONNECTION

Connect the provided XLR cable to the female XLR output of your controller and the other side to the male XLR input of the **CUEPIX BATTEN™**. The diagram below illustrates a typical DMX-512 connection when the fixture is in the **60 Channel Mode**. You can chain multiple panels together through serial linking. The cable that should be used is two conductor, shielded DMX cable with XLR input and output connectors. Always be sure daisy chain your in and out data connections, never split or "Y" your DMX connections unless you are using an approved DMX splitter such as **Elation's Opto Branch 4™, Opto Branch 8™, or DMX-Branch/4™**.



DMX-512 CONNECTION WITH DMX TERMINATOR

A DMX terminator should be used in all DMX lines especially in longer runs. The use of a terminator may avoid erratic behavior in your DMX line. A terminator is a 120 ohm 1/4 watt resistor that is connected between pins 2 and 3 of a male XLR connector (DATA + and DATA -). This fixture is inserted in the female XLR connector of the last fixture in your daisy chain to terminate the line. Using a line terminator will decrease the possibilities of erratic behavior.



Termination reduces signal errors and avoids signal transmission problems and interference. It is always advisable to connect a DMX terminal, (Resistance 120 Ohm 1/4 W) between PIN 2 (DMX-) and PIN 3 (DMX +) of the last fixture.

5pin XLR DMX CONNECTORS

Some manufactures use 5pin XLR connectors for DATA transmission in place of 3pin. 5pin XLR fixtures may be implemented in a 3pin XLR DMX line. When inserting standard 5pin XLR connectors in to a 3pin line a cable adaptor must be used, these adaptors are readily available at most electric stores. The following chart details a proper cable conversion.

3-Pin XLR to 5-Pin XLR Conversion		
Conductor	3-Pin XLR Female (Out)	5-Pin XLR Male (In)
Ground/Shield	Pin 1	Pin 1
Data Compliment (- signal)	Pin 2	Pin 2
Data True (+ signal)	Pin 3	Pin 3
Not Used		Pin 4 - Do Not Use
Not Used		Pin 5 - Do Not Use

DMX ADDRESSING

All fixtures should be given a DMX starting address when using a DMX controller, so the correct fixture responds to the correct control signal. This digital starting address is the channel number from which the fixture starts to “listen” to the digital control information sent out from the DMX controller. The allocation of this starting DMX address is achieved by setting the correct DMX address on the digital display located on the back of the fixture.

You can set the same starting address for all fixtures or a group of fixtures, or set different address for each individual fixture. Be advised that setting all fixtures to the same DMX address will subsequently control all fixtures in the same fashion, in other words, changing the settings of one channel will affect all the fixtures simultaneously.

If you set each fixture to a different DMX address, each unit will start to “listen” to the channel number you have set, based on the quantity of control channels (DMX channels) of each fixture. That means changing the settings of one channel will only affect the selected fixture.

In the case of the **CUEPIX BATTEN™**, when in the **60 Channel Mode** you should set the starting DMX address of the first unit to 1, the second unit to 61 (1 + 60), the third unit to 121 (61 + 60), and so on.

Note: During start-up the **CUEPIX BATTEN™** will automatically detect whether a DMX data signal is being received or not. If the fixture is not receiving a DMX signal please check the following:

- The 3pin or 5pin XLR input plug (cable with DMX signal from controller) is not connected or is not inserted completely into the DMX input jack of the fixture.
- The DMX controller is switched off or defective.
- The DMX cable or connector is defective.
- A DMX terminator has been inserted into the last fixture in your DMX chain.

FIXTURE MENU

ON-BOARD SYSTEM MENU

The **CUEPIX BATTEN™** comes with an easy to navigate system menu. The next section will detail the functions of each command in the system menu.

LCD MENU CONTROL PANEL

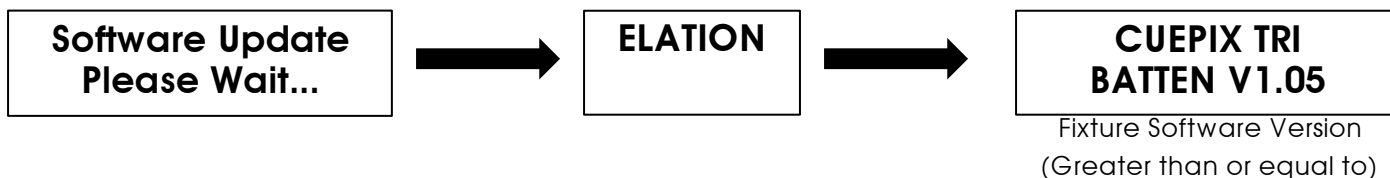
The control panel (see image below) located on the top of the fixture allows you to access the main menu and make all necessary adjustments to the **CUEPIX BATTEN™**. During normal operation, pressing **MODE** button once will access the fixture's main menu. Once in the main menu you can navigate through the different functions and access the sub-menus with the **UP**, and **DOWN** buttons. Once you reach a field that requires adjusting, press the **ENTER** button to activate that field and use the **UP** and **DOWN** buttons to adjust the field. Pressing the **ENTER** button once more will confirm your setting. You may exit the main menu at any time without making any adjustments by pressing the **MODE** button.

NOTE: the LCD Menu Control Display will shut OFF and lockout after 30 seconds of no use. Press and hold the **MODE** button for 10 seconds to unlock the LCD display.



INFORMATION DISPLAYED DURING INITIAL POWER ON

When the fixture is initially powered ON, the display shows the following information:



**ELATION® CUEPIX BATTEN™
SYSTEM MENU**

Specifications are subject to change without any prior written notice.

MENU	OPTIONS / VALUES	DESCRIPTION
DMX MODE ADDR:xxx CH:xx	ADDR:001 - 512 CH:03, 04, 06, 06H, 09, 30, 33, 36, 60	Set DMX Address. Set DMX Channel Mode.
SECONDRY M O D E		Set unit to Secondary Mode.
AUTO RUN FQN:xx	FQN:01-99	Set the number of times each internal macro will repeat before moving to the next macro.
02. DREAM - 15.FLOW 10	02-15	Select Internal Program Macro. See PROGRAM MACRO MENU .
Dim Curve	Standard, Stage, TV, Architectural, Theatre	Set desired Dimming Curve.
Pixel Flip	ON, OFF	Set starting Pixel (COB module). See Pixel Flip Section.
NO DMX MODE	Hold, Blackout, Program	Define how fixture reacts when NO DMX signal present.
Manual RGB	R000-255 G000-255 B000-255	Set RGB Values manually for ALL 25 COB modules.
Ethernet Set Fixture ID	Service PIN Password=050	Enter Service Password to access Ethernet Menus.
Fixture ID Device IP Addr	000.000.000.000	Set IP address.
Fixture ID Ctrl Addr	000.000.000.000	Set Subnet Mask.
Fixture ID Universe	000-255	Set DMX Universe number.
Ethernet Set Protocol Set	Kling-Net, ArtNet	Set Protocol.
Ethernet Set Network Switch	ON, OFF	Set Network switch.
Color Macros	00-32	Set Color Macro. See COLOR MACRO MENU .

**ELATION® CUEPIX BATTEN™
PROGRAM MACRO MENU**

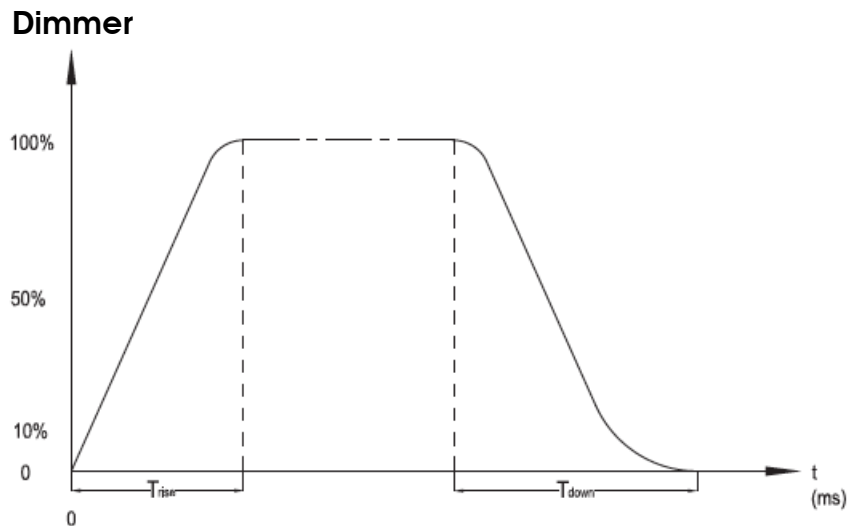
Specifications are subject to change without any prior written notice.

MACRO	OPTIONS / VALUES	DESCRIPTION
02.DREAM	Speed00-99 Flash00-99	Seven Color Dreaming Speed & Flash Adjustable
03.METEOR	Speed00-99 Flash00-99	Seven Color Flow Speed & Flash Adjustable
04.FADE	Speed00-99 Flash00-99	Seven Color Fade Speed & Flash Adjustable
05.CHANGE	Speed00-99 Flash00-99	Seven Color Change Speed & Flash Adjustable
06.FLOW 1	Speed00-99 Flash00-99	Seven Color Chase Speed & Flash Adjustable
07.FLOW 2	Speed00-99 Flash00-99	Seven Color Chase Speed & Flash Adjustable
08.FLOW 3	Speed00-99 Flash00-99	Seven Color Chase Speed & Flash Adjustable
09.FLOW 4	Speed00-99 Flash00-99	Seven Color Chase Speed & Flash Adjustable
10.FLOW 5	Speed00-99 Flash00-99	Seven Color Chase Speed & Flash Adjustable
11.FLOW 6	Speed00-99 Flash00-99	Seven Color Chase Speed & Flash Adjustable
12.FLOW 7	Speed00-99 Flash00-99	Seven Color Chase Speed & Flash Adjustable
13.FLOW 8	Speed00-99 Flash00-99 CL:BLAC, R, G, B, RG, GB, RB, RGB	2 Color Chase Speed & Flash Adjustable
14.FLOW 9	Speed00-99 Flash00-99 CL:BLAC, R, G, B, RG, GB, RB, RGB	2 Color Chase Speed & Flash Adjustable
15.FLOW 10	Speed00-99 Flash00-99	Seven Color Chase Speed & Flash Adjustable

DIMMING CURVES

The **DimCurve** menu allows you to select one of the following preset dimming curves: **Standard, Stage, TV, Architectural, Theatre, or Default.**

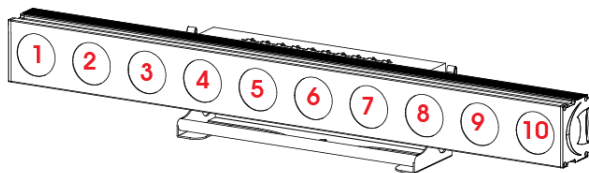
(See diagram below for more details)



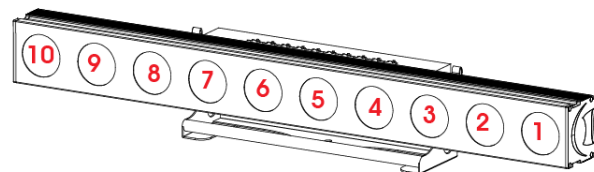
Ramp Effect	0 255 OS (Fade Time)		0 255 1S (Fade Time)	
	T _{rise} (ms)	T _{down} (ms)	T _{rise} (ms)	T _{down} (ms)
Standard	0	0	0	0
Stage	780	1100	1540	1660
TV	1180	1520	1860	1940
Architectural	1380	1730	2040	2120
Theatre	1580	1940	2230	2280

PIXEL FLIP

Select the desired starting COB module and chase direction from one of the following modes below via **UP/DOWN** buttons and then press **ENTER** to confirm.



Flip = OFF



Flip = ON

ELATION® CUEPIX BATTEN™ COLOR MACRO MENU	
Specifications are subject to change without any prior written notice.	
MACRO	DMX VALUES
OFF	0
01. BASTARD AMBER	1-7
02. MEDIUM AMBER	8-15
03. PALE AMBER GOLD	16-23
04. GALLO GOLD	24-31
05. GOLDEN AMBER	32-39
06. LIGHT RED	40-47
07. MEDIUM RED	48-55
08. MEDIUM PINK	56-63
09. BROADWAY PINK	64-71
10. FOLLIES PINK	72-79
11. LIGHT LAVENDER	80-87
12. SPECIAL LAVENDER	88-95
13. LAVENDER	96-103
14. INDIGO	104-111
15. HEMSLEY BLUE	112-119
16. TIPTON BLUE	120-127
17. LIGHT STEEL BLUE	128-135
18. LIGHT SKY BLUE	136-143
19. SKY BLUE	144-151
20. BRILLIANT BLUE	152-159
21. LIGHT GREEN BLUE	160-167
22. BRIGHT BLUE	168-175
23. PRIMARY BLUE	176-183
24. CONGO BLUE	184-191
25. PALE YELLOW GREEN	192-199
26. MOSS GREEN	200-207
27. PRIMARY GREEN	208-215
28. DOUBLE CTB	216-223
29. FULL RED	224-231
30. FULL GREEN	232-239
31. FULL BLUE	240-247
32. FULL WHITE	248-255

DMX WORKSHOP™ (alternative software option to configure network settings)

DMX-Workshop™ is a fully featured network management, analysis, configuration and diagnostics tool for Art-Net networks. It can be used to configure the Ethernet network settings on this fixture remotely such as the IP Address, Subnet Mask, and the DMX Universe. This software application is Windows XP™ and Windows 7™ compatible and is free of charge and available via download here. (See link below)

http://artisticlicence.com/index.php?mode=products&sub=overview&action=&product_id=351

DMX CHANNEL FUNCTIONS AND VALUES

ELATION® CUEPIX BATTEN™

DMX Channel Values / Functions (60 DMX Channels)

Specifications are subject to change without any prior written notice.

**Control of COB Modules depends on the Pixel Flip setting.*

MODE / CHANNEL									VALUE	FUNCTION
3 CH	4 CH	6 CH	6H CH	9 CH	30 CH	33 CH	36 CH	60 CH		
1	1	1	1	1						RED
									0-255	0 to 100%
			2							RED FINE
									0-255	RED FINE Adjustment
2	2	2	3	2						GREEN
									0-255	0 to 100%
			4							GREEN FINE
									0-255	GREEN FINE Adjustment
3	3	3	5	3						BLUE
									0-255	0 to 100%
			6							BLUE FINE
									0-255	BLUE FINE Adjustment
					1	1	1	1		*RED - COB MODULE 1
									0-255	0 to 100%
								2		*RED FINE - COB MODULE 1
									0-255	RED FINE Adjustment
					2	2	2	3		*GREEN - COB MODULE 1
									0-255	0 to 100%
								4		*GREEN FINE - COB MODULE 1
									0-255	GREEN FINE Adjustment
					3	3	3	5		*BLUE - COB MODULE 1
									0-255	0 to 100%
								6		*BLUE FINE - COB MODULE 1
									0-255	BLUE FINE Adjustment
					4	4	4	7		*RED - COB MODULE 2
									0-255	0 to 100%
								8		*RED FINE - COB MODULE 2
									0-255	RED FINE Adjustment
					5	5	5	9		*GREEN - COB MODULE 2
									0-255	0 to 100%
								10		*GREEN FINE - COB MODULE 2
									0-255	GREEN FINE Adjustment
					6	6	6	11		*BLUE - COB MODULE 2
									0-255	0 to 100%
								12		*BLUE FINE - COB MODULE 2
									0-255	BLUE FINE Adjustment

ELATION® CUEPIX BATTEN™

DMX Channel Values / Functions (60 DMX Channels)

Specifications are subject to change without any prior written notice.

**Control of COB Modules depends on the Pixel Flip setting.*

MODE / CHANNEL									VALUE	FUNCTION
3 CH	4 CH	6 CH	6H CH	9 CH	30 CH	33 CH	36 CH	60 CH		
					7	7	7	13		*RED - COB MODULE 3
									0-255	0 to 100%
								14		*RED FINE - COB MODULE 3
									0-255	RED FINE Adjustment
					8	8	8	15		*GREEN - COB MODULE 3
									0-255	0 to 100%
								16		*GREEN FINE - COB MODULE 3
									0-255	GREEN FINE Adjustment
					9	9	9	17		*BLUE - COB MODULE 3
									0-255	0 to 100%
								18		*BLUE FINE - COB MODULE 3
									0-255	BLUE FINE Adjustment
					10	10	10	19		*RED - COB MODULE 4
									0-255	0 to 100%
								20		*RED FINE - COB MODULE 4
									0-255	RED FINE Adjustment
					11	11	11	21		*GREEN - COB MODULE 4
									0-255	0 to 100%
								22		*GREEN FINE - COB MODULE 4
									0-255	GREEN FINE Adjustment
					12	12	12	23		*BLUE - COB MODULE 4
									0-255	0 to 100%
								24		*BLUE FINE - COB MODULE 4
									0-255	BLUE FINE Adjustment
					13	13	13	25		*RED - COB MODULE 5
									0-255	0 to 100%
								26		*RED FINE - COB MODULE 5
									0-255	RED FINE Adjustment
					14	14	14	27		*GREEN - COB MODULE 5
									0-255	0 to 100%
								28		*GREEN FINE - COB MODULE 5
									0-255	GREEN FINE Adjustment
					15	15	15	29		*BLUE - COB MODULE 5
									0-255	0 to 100%
								30		*BLUE FINE - COB MODULE 5
									0-255	BLUE FINE Adjustment

ELATION® CUEPIX BATTEN™

DMX Channel Values / Functions (60 DMX Channels)

Specifications are subject to change without any prior written notice.

**Control of COB Modules depends on the Pixel Flip setting.*

MODE / CHANNEL									VALUE	FUNCTION
3 CH	4 CH	6 CH	6H CH	9 CH	30 CH	33 CH	36 CH	60 CH		
					16	16	16	31		*RED - COB MODULE 6
									0-255	0 to 100%
								32		*RED FINE - COB MODULE 6
									0-255	RED FINE Adjustment
					17	17	17	33		*GREEN - COB MODULE 6
									0-255	0 to 100%
								34		*GREEN FINE - COB MODULE 6
									0-255	GREEN FINE Adjustment
					18	18	18	35		*BLUE - COB MODULE 6
									0-255	0 to 100%
								36		*BLUE FINE - COB MODULE 6
									0-255	BLUE FINE Adjustment
					19	19	19	37		*RED - COB MODULE 7
									0-255	0 to 100%
								38		*RED FINE - COB MODULE 7
									0-255	RED FINE Adjustment
					20	20	20	39		*GREEN - COB MODULE 7
									0-255	0 to 100%
								40		*GREEN FINE - COB MODULE 7
									0-255	GREEN FINE Adjustment
					21	21	21	41		*BLUE - COB MODULE 7
									0-255	0 to 100%
								42		*BLUE FINE - COB MODULE 7
									0-255	BLUE FINE Adjustment
					22	22	22	43		*RED - COB MODULE 8
									0-255	0 to 100%
								44		*RED FINE - COB MODULE 8
									0-255	RED FINE Adjustment
					23	23	23	45		*GREEN - COB MODULE 8
									0-255	0 to 100%
								46		*GREEN FINE - COB MODULE 8
									0-255	GREEN FINE Adjustment
					24	24	24	47		*BLUE - COB MODULE 8
									0-255	0 to 100%
								48		*BLUE FINE - COB MODULE 8
									0-255	BLUE FINE Adjustment

ELATION® CUEPIX BATTEN™
DMX Channel Values / Functions (60 DMX Channels)

Specifications are subject to change without any prior written notice.

*Control of COB Modules depends on the Pixel Flip setting.

MODE / CHANNEL									VALUE	FUNCTION
3 CH	4 CH	6 CH	6H CH	9 CH	30 CH	33 CH	36 CH	60 CH		
					25	25	25	49		*RED - COB MODULE 9
									0-255	0 to 100%
								50		*RED FINE - COB MODULE 9
									0-255	RED FINE Adjustment
					26	26	26	51		*GREEN - COB MODULE 9
									0-255	0 to 100%
								52		*GREEN FINE - COB MODULE 9
									0-255	GREEN FINE Adjustment
					27	27	27	53		*BLUE - COB MODULE 9
									0-255	0 to 100%
								54		*BLUE FINE - COB MODULE 9
									0-255	BLUE FINE Adjustment
					28	28	28	55		*RED - COB MODULE 10
									0-255	0 to 100%
								56		*RED FINE - COB MODULE 10
									0-255	RED FINE Adjustment
					29	29	29	57		*GREEN - COB MODULE 10
									0-255	0 to 100%
								58		*GREEN FINE - COB MODULE 10
									0-255	GREEN FINE Adjustment
					30	30	30	59		*BLUE - COB MODULE 10
									0-255	0 to 100%
								60		*BLUE FINE - COB MODULE 10
									0-255	BLUE FINE Adjustment

ELATION® CUEPIX BATTEN™
DMX Channel Values / Functions (60 DMX Channels)

Specifications are subject to change without any prior written notice.

*Control of COB Modules depends on the Pixel Flip setting.

MODE / CHANNEL									VALUE	FUNCTION
3 CH	4 CH	6 CH	6H CH	9 CH	30 CH	33 CH	36 CH	60 CH		
										COLOR MACROS
									0	OFF
									1-7	01. BASTARD AMBER
									8-15	02. MEDIUM AMBER
									16-23	03. PALE AMBER GOLD
									24-31	04. GALLO GOLD
									32-39	05. GOLDEN AMBER
									40-47	06. LIGHT RED
									48-55	07. MEDIUM RED
									56-63	08. MEDIUM PINK
									64-71	09. BROADWAY PINK
									72-79	10. FOLLIES PINK
									80-87	11. LIGHT LAVENDER
									88-95	12. SPECIAL LAVENDER
									96-103	13. LAVENDER
									104-111	14. INDIGO
				4				31	112-119	15. HEMSLEY BLUE
									120-127	16. TIPTON BLUE
									128-135	17. LIGHT STEEL BLUE
									136-143	18. LIGHT SKY BLUE
									144-151	19. SKY BLUE
									152-159	20. BRILLIANT BLUE
									160-167	21. LIGHT GREEN BLUE
									168-175	22. BRIGHT BLUE
									176-183	23. PRIMARY BLUE
									184-191	24. CONGO BLUE
									192-199	25. PALE YELLOW GREEN
									200-207	26. MOSS GREEN
									208-215	27. PRIMARY GREEN
									216-223	28. DOUBLE CTB
									224-231	29. FULL RED
									232-239	30. FULL GREEN
									240-247	31. FULL BLUE
									248-255	32. FULL WHITE
										FLASH / STROBE
									0-31	NO Function
									32-95	Flash / Strobe Effect SLOW to FAST
		4		5		31	32		96-127	LEDs ON
									128-159	Pulse Effect In Sequence SLOW to FAST
									160-191	LEDs ON
									192-223	Random Flash / Strobe Effect SLOW to FAST
									224-255	LEDs ON

ELATION® CUEPIX BATTEN™

DMX Channel Values / Functions (60 DMX Channels)

Specifications are subject to change without any prior written notice.

**Control of COB Modules depends on the Pixel Flip setting.*

MODE / CHANNEL									VALUE	FUNCTION
3 CH	4 CH	6 CH	6H CH	9 CH	30 CH	33 CH	36 CH	60 CH		
	4	5		6		32	33			MASTER DIMMER
									0-255	Intensity 0 to 100%
										CHASE MACROS
				7			34		0	NO FUNCTION
									1-20	DREAM Macro
									21-40	METEOR Macro
									41-60	FADE Macro
									61-80	CHANGE Macro
									81-100	FLOW Macro 1
									101-120	FLOW Macro 2
									121-140	FLOW Macro 3
									141-160	FLOW Macro 4
									161-180	FLOW Macro 5
									181-200	FLOW Macro 6
									201-220	FLOW Macro 7
									221-240	FLOW Macro 8
									241-255	FLOW Macro 9
				8			35			CHASE MACRO SPEED
									0-255	Chase Macro Speed SLOW to FAST
										DIMMING CURVE MODES
		6		9		33	36		0-20	STANDARD
									21-40	STAGE
									41-60	TV
									61-80	ARCHITECTURAL
									81-100	THEATRE
									101-255	Default to Unit Setting

CLEANING AND MAINTENANCE



C A U T I O N

Disconnect power before cleaning or maintenance.

CLEANING

Frequent cleaning is recommended to insure proper function, optimized light output, and an extended life. The frequency of cleaning depends on the environment in which the fixture operates: damp, smoky or particularly dirty environments can cause greater accumulation of dirt on the fixture's optics.

- Clean the external lens surface at least every 20 days with a soft cloth to avoid dirt/debris accumulation.
- Never use alcohol, solvents, or ammonia based cleaners.

MAINTENANCE

Regular inspections are recommended to insure proper function and extended life. There are no user serviceable parts inside this fixture, please refer all other service issues to an authorized Elation service technician. Should you need any spare parts, please order genuine parts from your local Elation dealer.

Please refer to the following points during routine inspections:

- A detailed electric check by an approved electrical engineer every three months, to make sure the circuit contacts are in good condition and prevent overheating.
- Be sure all screws and fasteners are securely tightened at all times. Loose screws may fall out during normal operation resulting in damage or injury as larger parts could fall.
- Check for any deformations on the housing, color lenses, rigging hardware and rigging points (ceiling, suspension, trussing). Deformations in the housing could allow for dust to enter into the fixture. Damaged rigging points or unsecured rigging could cause the fixture to fall and seriously injure a person(s).
- Electric power supply cables must not show any damage, material fatigue or sediments. Never remove the ground prong from the power cable.

TECHNICAL SPECIFICATIONS

FEATURES

82° Beam 106° Field Angles
ArtNet and Klingnet Support
RDM - Remote Device Management
Individual COB Module Control
Variable Dimming Curve Modes
Multiple Unit Power Linking
Rugged Die-Cast Aluminum Exterior
Flicker Free Operation for TV and FILM

SOURCE

(10) 30W 3-in-1 COB LEDs
100,000 Hour Average LED Life

EFFECTS

Strobe and Chase Effects
Individual COB Module Control
Variable and Selectable Dimming Curves

CONTROL / CONNECTIONS

8 DMX Channel Modes (3 / 4 / 6 / 6H / 9 / 30 / 33 / 36 / 60)
4 Button Control Panel and LCD Menu Display
ArtNet + KlingNET Protocol Support
RDM (Remote Device Management)
(2) RJ45 Ports
3pin and 5pin DMX In/Out
Power In/Out

SIZE / WEIGHT

Length: 43.3" (1100mm)
Width: 6.4" (121mm)
Vertical Height: 6.8" (172mm)
Weight: 21.0 lbs. (9.5 kg)

ELECTRICAL / THERMAL

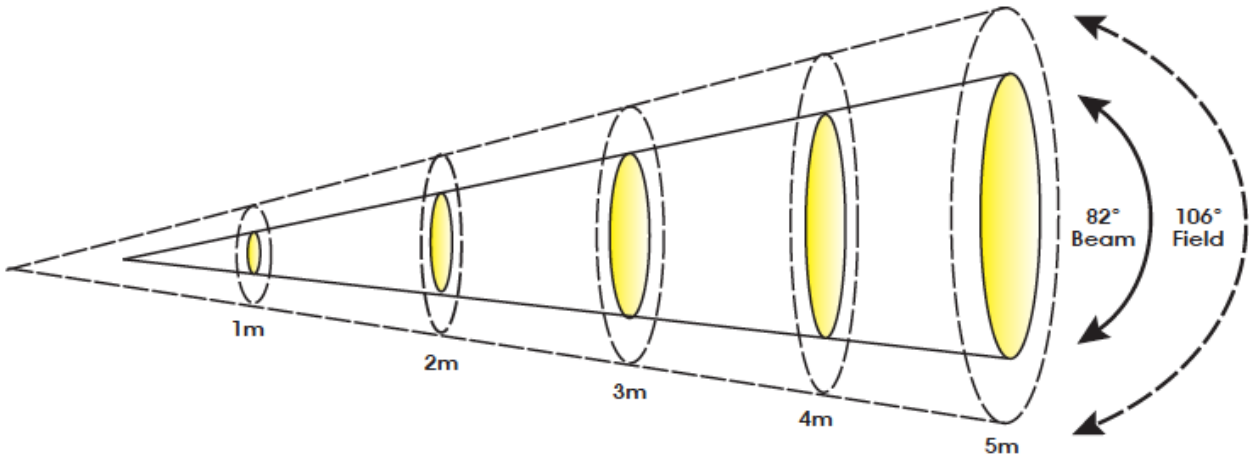
AC 110-240V - 50/60Hz
312W Max Power Consumption
Power Linking: 5pcs @110V / 10pcs @240V
5°F to 113°F (-15°C to 45°C)

APPROVALS / RATINGS

CE | IP20

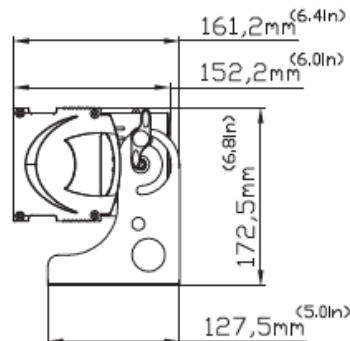
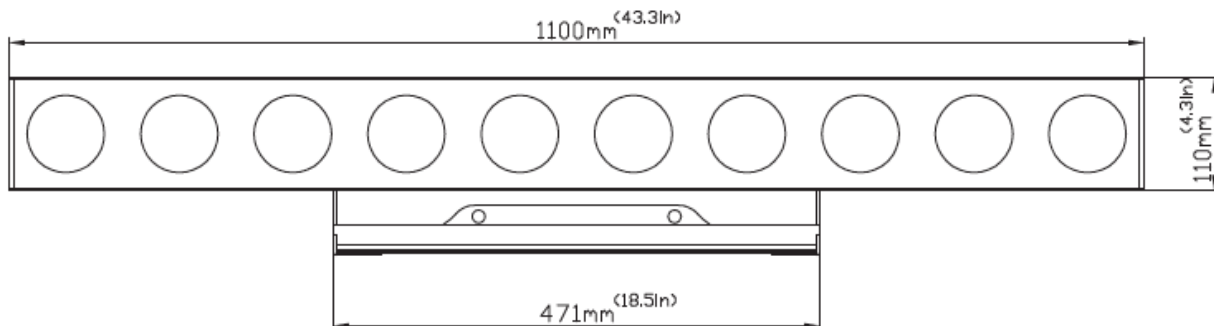
Please Note: Specifications and improvements in the design of this unit and this manual are subject to change without any prior written notice.

PHOTOMETRIC DATA



Distance	m	ft	m	ft	m	ft	m	ft	m	ft
82° Beam Diameter	1.74	5.7	3.48	11.4	5.22	17.1	6.96	22.8	8.67	28.4
106° Field Diameter	2.65	8.7	5.31	17.4	7.96	26.1	10.62	34.8	13.27	43.5
Photometrics	lux	fc	lux	fc	lux	fc	lux	fc	lux	fc
RED LEDs	1,024	95	325	30	162	15	94	9	61	6
GREEN LEDs	1,165	108	363	34	183	17	105	10	70	7
BLUE LEDs	1,510	140	475	44	237	22	136	13	91	8
FULL ON	3,890	361	1,237	115	613	57	345	32	227	21

DIMENSIONAL DRAWINGS



Please Note: Specifications and improvements in the design of this unit and this manual are subject to change without any prior written notice.

OPTIONAL ACCESSORIES

ORDER CODE	ITEM
TRIGGER CLAMP	Heavy Duty Wrap Around Hook Style Clamp
EWDMXSYSTEM	Wireless DMX System (1 Transmitter, 1 Receiver)
EWDMXT	Wireless DMX Transmitter
EWDMXR	Wireless DMX Receiver
PLC3	3' (1m) PRO Link Cable
PLC6	6' (1.8m) PRO Link Cable
AC3PDMX5PRO	5 ft. (1.5m) 3pin PRO DMX Cable
AC5PDMX5PRO	5 ft. (1.5m) 5pin PRO DMX Cable
CAT005	5' (1.5m) CAT6 Ethercon Cable
CAT010	10' (3m) CAT6 Ethercon Cable
	Additional Cable Lengths Available

