

**ACL BAR™**  
user manual

©2015 **ELATION PROFESSIONAL** all rights reserved. Information, specifications, diagrams, images, and instructions herein are subject to change without notice. ELATION PROFESSIONAL logo and identifying product names and numbers herein are trademarks of ELATION PROFESSIONAL. Copyright protection claimed includes all forms and matters of copyrightable materials and information now allowed by statutory or judicial law or hereinafter granted. Product names used in this document may be trademarks or registered trademarks of their respective companies and are hereby acknowledged. All non-ELATION brands and product names are trademarks or registered trademarks of their respective companies.

**ELATION PROFESSIONAL** and all affiliated companies hereby disclaim any and all liabilities for property, equipment, building, and electrical damages, injuries to any persons, and direct or indirect economic loss associated with the use or reliance of any information contained within this document, and/or as a result of the improper, unsafe, insufficient and negligent assembly, installation, rigging, and operation of this product.

**Elation Professional USA** | 6122 S. Eastern Ave. | Los Angeles, CA. 90040

323-582-3322 | 323-832-9142 fax | [www.elationlighting.com](http://www.elationlighting.com) | [info@elationlighting.com](mailto:info@elationlighting.com)

**Elation Professional B.V.** | Junostraat 2 | 6468 EW Kerkrade, The Netherlands

+31 45 546 85 66 | +31 45 546 85 96 fax | [www.elationlighting.eu](http://www.elationlighting.eu) | [info@elationlighting.eu](mailto:info@elationlighting.eu)

## DOCUMENT VERSION



Please check [www.elationlighting.com](http://www.elationlighting.com) for the latest revision/update of this manual.

Date	Document Version	Software Version	DMX Channel Modes	Notes
9/1/15	1	≥1.06	1CH:04 / 2CH:04 / 6 / 8 / 10 / 12 / 28 / 30 / 32 / 35	Initial release.

## CONTENTS

General Information	4
Warranty	6
Safety Instructions	7
General Guidelines	8
Fixture Overview	9
Fixture Installation	10
Fixture Menu	12
DMX Channel Functions And Values	15
Cleaning and Maintenance	20
Technical Specifications	21
Optional Accessories	23

## **GENERAL INFORMATION**

### **INTRODUCTION**

Congratulations, you have just purchased one of the most innovative and reliable lighting fixtures on the market today! This fixture has been designed to perform reliably for years when the guidelines in this booklet are followed. Please read and understand the instructions in this manual carefully and thoroughly before attempting to operate this unit. These instructions contain important information regarding safety during use and maintenance.

### **UNPACKING**

Every fixture has been thoroughly tested and has been shipped in perfect operating condition. Carefully check the shipping carton for damage that may have occurred during shipping. If the carton appears to be damaged, carefully inspect your unit for damage and be sure all accessories necessary to operate the unit have arrived intact. In the event damage has been found or parts are missing, please contact our customer support team for further instructions. Please do not return this unit to your dealer without first contacting customer support at the number listed below. Please do not discard the shipping carton in the trash. Please recycle whenever possible.

### **BOX CONTENTS**

- (1) powerCON Cable
- Manual & Warranty Card

## CUSTOMER SUPPORT

Elation Professional® provides a customer support line, to provide set up help and to answer any question should you encounter problems during your set up or initial operation. You may also visit us on the web at [www.elationlighting.com](http://www.elationlighting.com) for any comments or suggestions. For service related issue please contact Elation Professional®.

### **ELATION SERVICE USA - Monday - Friday 8:00am to 5:00pm PST**

**Voice: 323-582-3322**

**Fax: 323-832-9142**

E-mail: [support@elationlighting.com](mailto:support@elationlighting.com)

### **ELATION SERVICE EUROPE - Monday - Friday 08:30 to 17:00 CET**

**Voice: +31 45 546 85 30**

**Fax: +31 45 546 85 96**

E-mail: [support@elationlighting.eu](mailto:support@elationlighting.eu)

## WARRANTY REGISTRATION

Please complete and mail in the enclosed warranty card or register online: <http://www.elationlighting.com/Login.aspx> to validate your purchase. All returned service items whether under warranty or not, must be freight pre-paid and accompany a return authorization (R.A.) number. The R.A. number must be clearly written on the outside of the return package. A brief description of the problem as well as the R.A. number must also be written down on a piece of paper and included in the shipping container. If the unit is under warranty, you must provide a copy of your proof of purchase invoice. Items returned without a R.A. number clearly marked on the outside of the package will be refused and returned at customer's expense. You may obtain a R.A. number by contacting customer support.



## **IMPORTANT NOTICE!**

**There are no user serviceable parts inside this unit. Do not attempt any repairs yourself; doing so will void your manufactures warranty. Damages resulting from modifications to this fixture and/or the disregard of safety and general user instructions found in this user manual void the manufactures warranty and are not subject to any warranty claims and/or repairs.**

## LIMITED WARRANTY

A. Elation Professional® hereby warrants, to the original purchaser, Elation Professional® products to be free of manufacturing defects in material and workmanship for a period of two years (730 days), and Elation Professional® product rechargeable batteries to be free of manufacturing defects in material and workmanship for a period of six months (180 days), from the original date of purchase. This warranty excludes discharge lamps and all product accessories. This warranty shall be valid only if the product is purchased within the United States of America, including possessions and territories. It is the owner's responsibility to establish the date and place of purchase by acceptable evidence, at the time service is sought.

B. For warranty service, send the product only to the Elation Professional® factory. All shipping charges must be pre-paid. If the requested repairs or service (including parts replacement) are within the terms of this warranty, Elation Professional® will pay return shipping charges only to a designated point within the United States. If any product is sent, it must be shipped in its original package and packaging material. No accessories should be shipped with the product. If any accessories are shipped with the product, Elation Professional® shall have no liability what so ever for loss and/or or damage to any such accessories, nor for the safe return thereof.

C. This warranty is void if the product serial number and/or labels are altered or removed; if the product is modified in any manner which Elation Professional® concludes, after inspection, affects the reliability of the product; if the product has been repaired or serviced by anyone other than the Elation Professional® factory unless prior written authorization was issued to purchaser by Elation Professional®; if the product is damaged because not properly maintained as set forth in the product instructions, guidelines and/or user manual.

D. This is not a service contract, and this warranty does not include any maintenance, cleaning or periodic check-up. During the periods as specified above, Elation Professional® will replace defective parts at its expense, and will absorb all expenses for warranty service and repair labor by reason of defects in material or workmanship. The sole responsibility of Elation Professional® under this warranty shall be limited to the repair of the product, or replacement thereof, including parts, at the sole discretion of Elation Professional®. All products covered by this warranty were manufactured after January 1, 1990, and bare identifying marks to that effect.

E. Elation Professional® reserves the right to make changes in design and/or performance improvements upon its products without any obligation to include these changes in any products theretofore manufactured.

F. No warranty, whether expressed or implied, is given or made with respect to any accessory supplied with the products described above. Except to the extent prohibited by applicable law, all implied warranties made by Elation Professional® in connection with this product, including warranties of merchantability or fitness, are limited in duration to the warranty periods set forth above. And no warranties, whether expressed or implied, including warranties of merchantability or fitness, shall apply to this product after said periods have expired. The consumer's and/or dealer's sole remedy shall be such repair or replacement as is expressly provided above; and under no circumstances shall Elation Professional® be liable for any loss and/or damage, direct and/or consequential, arising out of the use of, and/or the inability to use, this product.

G. This warranty is the only written warranty applicable to Elation Professional® products and supersedes all prior warranties and written descriptions of warranty terms and conditions heretofore published.

## SAFETY INSTRUCTIONS



This fixture is an extremely sophisticated piece of electronic equipment. To guarantee a smooth operation, it is important to follow the guidelines in this manual. The manufacturer of this device will not accept responsibility for damages resulting from the misuse of this fixture due to the disregard of the information printed in this manual.



This device falls under **PROTECTION CLASS 1**. It's essential this device be grounded properly. Only qualified personnel should perform all electrical connections.



**I N D O O R S U S E O N L Y !**  
**DO NOT EXPOSE FIXTURE RAIN AND MOISTURE!**



**UNPLUG POWER BEFORE SERVICING FIXTURE!**  
**DO NOT PLUG FIXTURE INTO A DIMMER PACK!**  
**NEVER TOUCH FIXTURE DURING OPERATION, AS IT MAY BE HOT!**



**NEVER LOOK DIRECTLY INTO THE LIGHT SOURCE!**  
**SENSITIVE PERSONS MAY SUFFER AN EPILEPTIC SHOCK!**

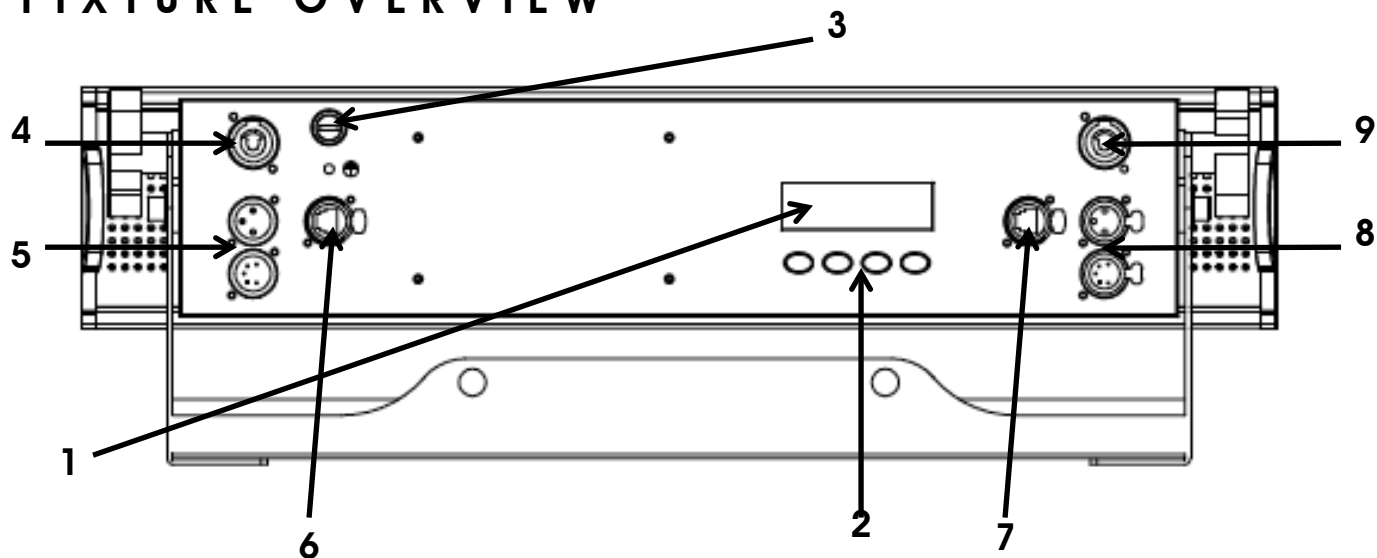
- For proper operation, follow the **Installation** guidelines described in this manual. Only qualified and certified personnel should perform installation of this fixture and only the original rigging parts (brackets) included with this fixture should be used for installation. Any modifications will void the original manufacturer's warranty and increase the risk of damage and/or personal injury.
- Never look directly into the light source of this fixture to prevent risk of injury to your retina, which may induce blindness. Those suffering from **EPILEPSY** should avoid looking directly into the light source of this unit at all times.
- The fan and air inlets must remain clean and never blocked. Allow approx. 6" (15cm) between this fixture and other devices or a wall for proper cooling.
- Always disconnect from main power source before performing any type of service and/or cleaning procedure. Only handle the power cord by the plug end, never pull out the plug by tugging the wire portion of the cord.
- Do not operate this fixture if the power cord has become frayed, crimped and/or damaged. If the power cord is damaged, replace it immediately with a new one of similar power rating.

## GENERAL GUIDELINES

- **NEVER OPEN THIS FIXTURE WHILE IN USE!**
- During the initial operation of this fixture, a light smoke or smell may emit from the interior of the fixture. This is a normal process and is caused by excess paint in the interior of the casing burning off from the heat associated with the lamp and will decrease gradually over time.
- This fixture is a professional lighting effect designed for **INDOOR / DRY LOCATIONS ONLY** on stage, in nightclubs, theatres, etc.
- Please make sure there are **NO FLAMMABLE MATERIALS** close to the fixture while operating, to prevent any fire hazard.
- The fixture must be installed in a location with adequate ventilation, at least 1.5 feet (.5m) from adjacent surfaces. Be sure no air ventilation slots are blocked.
- **DO NOT** attempt installation and/or operation without knowledge how to do so.
- **DO NOT** permit operation by persons who are not qualified to operate this type of fixture. Most damages are the result of operations by nonprofessionals.
- Consistent operational breaks may ensure the fixture will function properly for many years to come.
- **DO NOT** shake fixture, avoid brute force when installing and/or operating fixture.
- Always install the fixture with an appropriate safety cable. When installing the fixture in a suspended environment, always use mounting hardware that is no less than M10 x 25 mm, also be sure the hardware is insert in the pre-arranged screw holes in the bracket of the fixture.
- Use the original packaging and materials to transport the fixture in for service.
- **DO NOT TOUCH** the housing bare-hand during its operation. Turn OFF the power and allow approximately 15 minutes for the fixture to cool down before replacing or serving.



## FIXTURE OVERVIEW



**1: LCD Control Display**

**2: MODE, UP, DOWN, ENTER Buttons**

**3: Fuse**

**4: powerCON IN**

**5: 3pin, 5pin DMX IN**

**6: NET IN (RJ45 Ethernet)**

**7: NET OUT (RJ45 Ethernet)**

**8: 3pin, 5pin DMX OUT**

**9: powerCON OUT**

## FIXTURE INSTALLATION



### **FLAMMABLE MATERIAL WARNING**

Keep fixture at least 5.0 ft (1.5m) away from any flammable materials, decorations, pyrotechnics, etc.



### **ELECTRICAL CONNECTIONS**

A qualified electrician should be used for all electrical connections and/or installations.

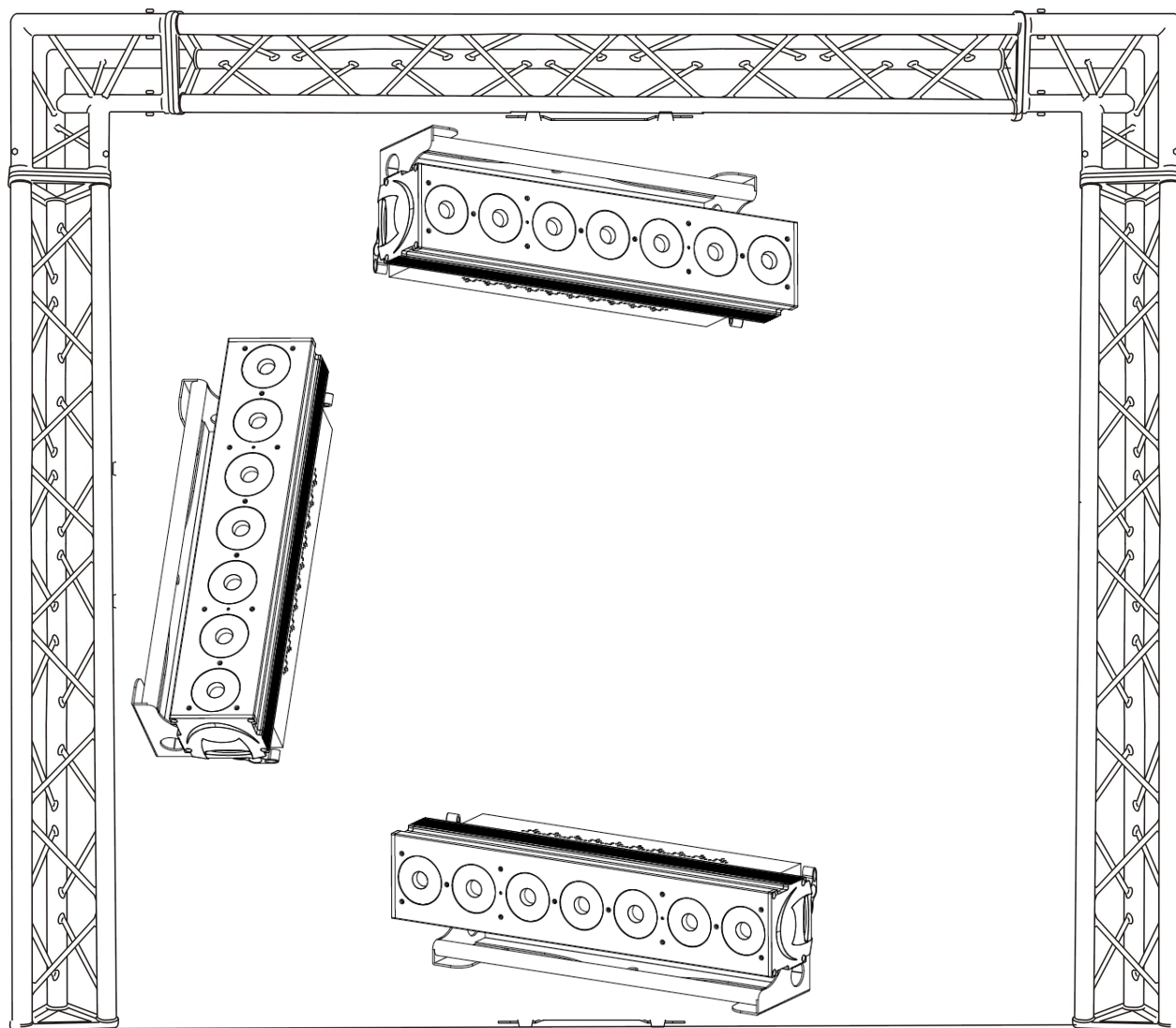


### **CAUTIONS**

- For added protection, mount the fixture in areas outside walking paths, seating areas, or in areas where unauthorized personnel might reach the fixture.
- Ambient operating temperature range for this fixture is **5° to 113°F. (-15° to 45°C)**  
Do not use the fixture under or above this temperature.
- Before mounting the fixture to any surface, make sure the installation area can hold a minimum point load of 10 times the weight of the fixture.
- Fixture installation must always be secured with a secondary safety attachment, such as an appropriate safety cable.
- Never stand directly below the device when mounting, removing or servicing.

### **MOUNTING POINTS**

- Overhead mounting requires extensive experience, including amongst others calculating working load limits, installation material being used, and periodic safety inspection of all installation material and the device. If you lack these qualifications, do not attempt the installation yourself. Improper installation can result in bodily injury.
- Fixture is fully operational in the specific mounting positions as illustrated below.



**SAFETY CABLE**

**Always use a Safety Cable (not included) whenever installing this fixture in a suspended environment to ensure the fixture will not drop if the clamp fails.**

**POWER LINKING**

Max number of units that can be power linked is **9 units @110V** and **16 units @240V**.

**CLAMP MOUNTING**

The fixture provides an integrated mounting bracket / yoke. Make sure to secure an appropriately rated clamp to the mounting bracket using M10 screws when mounting this fixture to truss.

## FIXTURE MENU

### ON-BOARD SYSTEM MENU

The fixture comes with an easy to navigate system menu. The next section will detail the functions of each command in the system menu.

### LCD MENU CONTROL PANEL

The control panel (see image below) located on back of the fixture allows you to access the main menu and make all necessary adjustments to the fixture. During normal operation, pressing **MODE** button once will access the fixture's main menu. Once in the main menu you can navigate through the different functions and access the sub-menus with the **UP** and **DOWN** buttons. Once you reach a field that requires adjusting, press the **ENTER** button to activate that field and use the **UP** and **DOWN** buttons to adjust the field. Pressing the **ENTER** button once more will confirm your setting. You may exit the main menu at any time without making any adjustments by pressing the **MODE** button.



### INFORMATION DISPLAYED DURING INITIAL POWER ON

When the fixture is initially powered ON, the display shows the following information:



Fixture Software Version (Greater than or equal to)

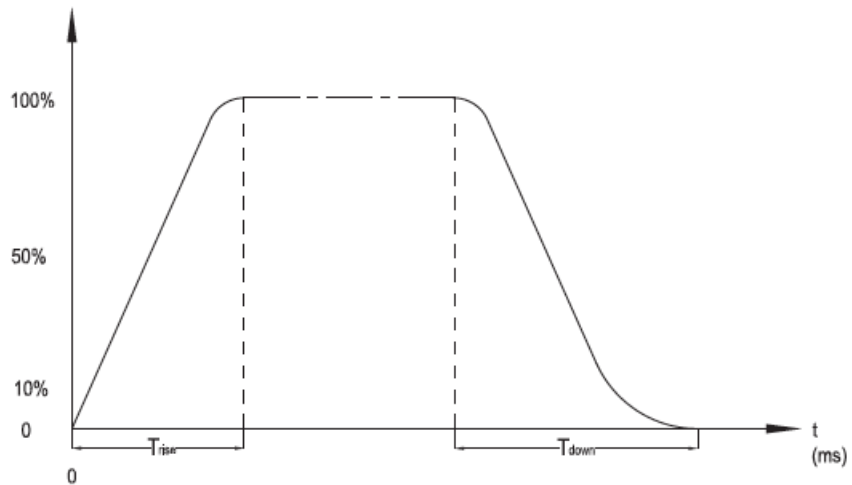
**ELATION® ACL BAR™  
SYSTEM MENU**

Specifications are subject to change without any prior written notice. **Defaults In Bold.**

MENU	OPTIONS / VALUES	DESCRIPTION
DMX MODE ADDR:001 CH:xx	ADDR:001 - 512 1CH:04, <b>2CH:04</b> , CH:06, CH:08, CH:10, CH:12, CH:28, CH:30, CH:32, CH:35	DMX Address Setting DMX Channel Mode
SLAVE M O D E		Set Fixture To Slave Mode
AUTO RUN FQN:xx	<b>FQN:01-99</b>	Set Number Of Times Each INTERNAL PROGRAM MACRO Repeats Before Moving To Next Macro.
01.STATIC - 15.FLOW 10	<b>01.STATIC</b> <b>CL:RGB FADE00</b>	Select INTERNAL PROGRAM MACRO.
Dim Curve	<b>Standard</b> , Stage, TV, Architectural, Theatre	Set Desired Dimming Curve
Pixel Flip	<b>OFF</b> , ON	Set Starting Pixel LED. See Pixel Flip Setting Section.
NO DMX MOD	<b>Hold</b> , Blackout, Program	Define How Fixture Reacts When NO DMX Signal Present.
Manual	<b>R000-255 G000-255 B000-255</b> <b>W000-255 Strobe:000</b>	Set RGBW + Strobe values manually for ALL 7 LEDs.
Macros	00- <b>64</b>	Set Color Macro.
Fan Set	Fan Speed <b>Auto</b> , High, Low	Set Fan Speed
LCD Set	Backlight 02S-60S [ <b>05S</b> ]	LCD Display Shutoff Time.
	Key Lock [ <b>OFF</b> ]	Set Control Display Key Lock Feature.
	DispFlash [ <b>ON</b> ]	LCD Display flashes when NO Signal is detected.
Temp	<b>F°</b> , C°	Set temperature to F° / C°
DFSE	<b>OFF°</b> , ON	Restore Factory Settings.
Info	Time.Info	Current: 0000H Last Clear: 0000H Total Time: 0000H Timer PIN: XXXX Clear Last [ <b>OFF</b> , ON]
	Temp. Info	<b>XXX F°</b>
	Model. Info	<b>ACL Bar</b>
	Software	1U:01 ≥V1.06 2U:01 ≥V1.09
Ethernet Set	Fixture ID Service PIN= <b>050</b>	Enter PIN to access Network Menus.
	Fixture ID Device IP Addr	000.000.000.000 Set Fixture IP Address. (Need to enter Service PIN to access this menu)
	Universe	<b>000-255</b> Set DMX Universe number. (Need to enter Service PIN to access this menu)
	Protocol Set	<b>ArtNet</b> , Kling-Net Set Protocol.
	Network Switch	<b>ON</b> , OFF Set Ethernet switch.

### Dim Curve

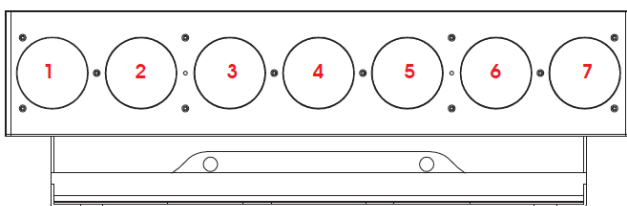
Select desired DIMMER MODE (**Standard**, Stage, TV, Architectural, Theatre).



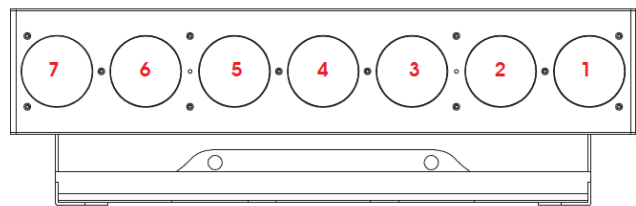
Ramp Effect	0  255 OS (Fade Time)		0  255 1S (Fade Time)	
	T <sub>rise</sub> (ms)	T <sub>down</sub> (ms)	T <sub>rise</sub> (ms)	T <sub>down</sub> (ms)
Standard	0	0	0	0
Stage	780	1100	1540	1660
TV	1180	1520	1860	1940
Architectural	1380	1730	2040	2120
Theatre	1580	1940	2230	2280

### Pixel Flip

Select the desired starting LED and chase direction from one of the following modes below via **UP/DOWN** buttons and then press **ENTER** to confirm. (**Default = OFF**)



**Flip = OFF**



**Flip = ON**

# DMX CHANNEL FUNCTIONS AND VALUES

ELATION© ACL BAR™

DMX Channel Values / Functions Version 1 (35 DMX Channels)

Specifications are subject to change without any prior written notice.

\*Control of LEDs depends on the Pixel Flip setting.

DMX CHANNEL MODE										VALUE	FUNCTION
1CH:04	2CH:04	6CH	8CH	10CH	12CH	28CH	30CH	32CH	35CH		16 BIT CHANNELS
	1	1	1	1	1						RED LED - All LEDs [1-7]
										0-255	Red (0-Black - 255-100%)
	2	2	2	2	2						GREEN LED - All LEDs [1-7]
										0-255	Green (0-Black - 255-100%)
	3	3	3	3	3						BLUE LED - All LEDs [1-7]
										0-255	Blue (0-Black - 255-100%)
	4	4	4	4	4						WHITE LED - All LEDs [1-7]
										0-255	White (0-Black - 255-100%)
						1	1	1	1		RED LED - LED [1]
										0-255	Red (0-Black - 255-100%)
						2	2	2	2		GREEN LED - LED [1]
										0-255	Green (0-Black - 255-100%)
						3	3	3	3		BLUE LED - LED [1]
										0-255	Blue (0-Black - 255-100%)
						4	4	4	4		WHITE LED - LED [1]
										0-255	White (0-Black - 255-100%)
						5	5	5	5		RED LED - LED [2]
										0-255	Red (0-Black - 255-100%)
						6	6	6	6		GREEN LED - LED [2]
										0-255	Green (0-Black - 255-100%)
						7	7	7	7		BLUE LED - LED [2]
										0-255	Blue (0-Black - 255-100%)
						8	8	8	8		WHITE LED - LED [2]
										0-255	White (0-Black - 255-100%)
						9	9	9	9		RED LED - LED [3]
										0-255	Red (0-Black - 255-100%)
						10	10	10	10		GREEN LED - LED [3]
										0-255	Green (0-Black - 255-100%)
						11	11	11	11		BLUE LED - LED [3]
										0-255	Blue (0-Black - 255-100%)
						12	12	12	12		WHITE LED - LED [3]
										0-255	White (0-Black - 255-100%)

**ELATION® ACL BAR™**
**DMX Channel Values / Functions Version 1 (35 DMX Channels)**

Specifications are subject to change without any prior written notice.

\*Control of LEDs depends on the Pixel Flip setting.

DMX CHANNEL MODE										VALUE	FUNCTION
1CH:04	2CH:04	6CH	8CH	10CH	12CH	28CH	30CH	32CH	35CH		16 BIT CHANNELS
						13	13	13	13		RED LED - LED [4]
										0-255	Red (0-Black - 255-100%)
						14	14	14	14		GREEN LED - LED [4]
										0-255	Green (0-Black - 255-100%)
						15	15	15	15		BLUE LED - LED [4]
										0-255	Blue (0-Black - 255-100%)
						16	16	16	16		WHITE LED - LED [4]
										0-255	White (0-Black - 255-100%)
						17	17	17	17		RED LED - LED [5]
										0-255	Red (0-Black - 255-100%)
						18	18	18	18		GREEN LED - LED [5]
										0-255	Green (0-Black - 255-100%)
						19	19	19	19		BLUE LED - LED [5]
										0-255	Blue (0-Black - 255-100%)
						20	20	20	20		WHITE LED - LED [5]
										0-255	White (0-Black - 255-100%)
						21	21	21	21		RED LED - LED [6]
										0-255	Red (0-Black - 255-100%)
						22	22	22	22		GREEN LED - LED [6]
										0-255	Green (0-Black - 255-100%)
						23	23	23	23		BLUE LED - LED [6]
										0-255	Blue (0-Black - 255-100%)
						24	24	24	24		WHITE LED - LED [6]
										0-255	White (0-Black - 255-100%)
						25	25	25	25		RED LED - LED [7]
										0-255	Red (0-Black - 255-100%)
						26	26	26	26		GREEN LED - LED [7]
										0-255	Green (0-Black - 255-100%)
						27	27	27	27		BLUE LED - LED [7]
										0-255	Blue (0-Black - 255-100%)
						28	28	28	28		WHITE LED - LED [7]
										0-255	White (0-Black - 255-100%)



**ELATION® ACL BAR™**

**DMX Channel Values / Functions Version 1 (35 DMX Channels)**

Specifications are subject to change without any prior written notice.

*\*Control of LEDs depends on the Pixel Flip setting.*

DMX CHANNEL MODE										VALUE	FUNCTION
1CH:04	2CH:04	6CH	8CH	10CH	12CH	28CH	30CH	32CH	35CH		16 BIT CHANNELS
1			5		5						<b>COLOR MACROS</b>
										0	NO Function
										1-4	Color Macro 01
										5-8	Color Macro 02
										9-12	Color Macro 03
										13-16	Color Macro 04
										17-20	Color Macro 05
										21-24	Color Macro 06
										25-28	Color Macro 07
										29-32	Color Macro 08
										33-36	Color Macro 09
										37-40	Color Macro 10
										41-44	Color Macro 11
										45-48	Color Macro 12
										49-52	Color Macro 13
										53-56	Color Macro 14
										57-60	Color Macro 15
										61-64	Color Macro 16
										65-68	Color Macro 17
										69-72	Color Macro 18
										73-76	Color Macro 19
										77-80	Color Macro 20
										81-84	Color Macro 21
										85-88	Color Macro 22
										89-92	Color Macro 23
										93-96	Color Macro 24
										97-100	Color Macro 25
										101-104	Color Macro 26
										105-108	Color Macro 27
										109-112	Color Macro 28
										113-116	Color Macro 29
										117-120	Color Macro 30
121-124	Color Macro 31										
125-128	Color Macro 32										

ELATION® ACL BAR™												
DMX Channel Values / Functions Version 1 (35 DMX Channels)												
Specifications are subject to change without any prior written notice.												
*Control of LEDs depends on the Pixel Flip setting.												
DMX CHANNEL MODE										VALUE	FUNCTION	
1CH:04	2CH:04	6CH	8CH	10CH	12CH	28CH	30CH	32CH	35CH		16 BIT CHANNELS	
1			5		5						COLOR MACROS [continued]	
										129-132	Color Macro 33	
										133-136	Color Macro 34	
										137-140	Color Macro 35	
										141-144	Color Macro 36	
										145-148	Color Macro 37	
										149-152	Color Macro 38	
										153-156	Color Macro 39	
										157-160	Color Macro 40	
										161-164	Color Macro 41	
										165-168	Color Macro 42	
										169-172	Color Macro 43	
										173-176	Color Macro 44	
										177-180	Color Macro 45	
										181-184	Color Macro 46	
										185-188	Color Macro 47	
										189-192	Color Macro 48	
										193-196	Color Macro 49	
										197-200	Color Macro 50	
										201-204	Color Macro 51	
										205-208	Color Macro 52	
										209-212	Color Macro 53	
										213-216	Color Macro 54	
										217-220	Color Macro 55	
221-224	Color Macro 56											
225-228	Color Macro 57											
229-232	Color Macro 58											
233-236	Color Macro 59											
237-240	Color Macro 60											
241-244	Color Macro 61											
245-248	Color Macro 62											
249-252	Color Macro 63											
253-255	Color Macro 64											
2			6	5	6				29	29	STROBE	
											0-31	NO Function
											32-63	LEDs ON
											64-95	Strobe Effect SLOW to FAST
											96-127	LEDs ON
											128-159	Pulse Effect In Sequence SLOW to FAST
											160-191	LEDs ON
											192-223	Random Strobe Effect SLOW to FAST
224-255	LEDs ON											

ELATION® ACL BAR™											
DMX Channel Values / Functions Version 1 (35 DMX Channels)											
Specifications are subject to change without any prior written notice.											
<i>*Control of LEDs depends on the Pixel Flip setting.</i>											
DMX CHANNEL MODE										VALUE	FUNCTION
1CH:04	2CH:04	6CH	8CH	10CH	12CH	28CH	30CH	32CH	35CH		16 BIT CHANNELS
3		5	7	6	7		29	30	30		MASTER DIMMER
										0-255	0 to 100%
4		6	8	7	8		30	31	31		FINE DIMMER [16BIT]
										0-256	1 to 100%
											AUTO PROGRAMS
										0	NO FUNCTION
										1-20	PROGRAM MACRO 01
										21-40	PROGRAM MACRO 02
										41-60	PROGRAM MACRO 03
										61-80	PROGRAM MACRO 04
										81-100	PROGRAM MACRO 05
				8	9					101-120	PROGRAM MACRO 06
										121-140	PROGRAM MACRO 07
										141-160	PROGRAM MACRO 08
										161-180	PROGRAM MACRO 09
										181-200	PROGRAM MACRO 10
										201-220	PROGRAM MACRO 11
										221-240	PROGRAM MACRO 12
										241-250	PROGRAM MACRO 13
										251-255	PROGRAM MACRO 14
				9	10						AUTO PROGRAM SPEED
										0-255	Program Speed SLOW to FAST
				10	11						AUTO PROGRAM FADE
										0-255	Program Fade SLOW to FAST
											DIMMING CURVE MODES
										0-20	STANDARD
										21-40	STAGE
										41-60	TV
										61-80	ARCHITECTURAL
										81-100	THEATRE
					12			32	35	101-255	Default to Unit Setting

## CLEANING AND MAINTENANCE



**C A U T I O N**

**Disconnect power before cleaning or maintenance.**

### CLEANING

Frequent cleaning is recommended to insure proper function, optimized light output, and an extended life. The frequency of cleaning depends on the environment in which the fixture operates: damp, smoky or particularly dirty environments can cause greater accumulation of dirt on the fixture's optics.

- Clean the external lens surface at least every 20 days with a soft cloth to avoid dirt/debris accumulation.
- Never use alcohol, solvents, or ammonia based cleaners.

### MAINTENANCE

Regular inspections are recommended to insure proper function and extended life. There are no user serviceable parts inside this fixture, please refer all other service issues to an authorized Elation service technician. Should you need any spare parts, please order genuine parts from your local Elation dealer.

Please refer to the following points during routine inspections:

- A detailed electric check by an approved electrical engineer every three months, to make sure the circuit contacts are in good condition and prevent overheating.
- Be sure all screws and fasteners are securely tightened at all times. Loose screws may fall out during normal operation resulting in damage or injury as larger parts could fall.
- Check for any deformations on the housing, color lenses, rigging hardware and rigging points (ceiling, suspension, trussing). Deformations in the housing could allow for dust to enter into the fixture. Damaged rigging points or unsecured rigging could cause the fixture to fall and seriously injure a person(s).
- Electric power supply cables must not show any damage, material fatigue or sediments. Never remove the ground prong from the power cable.

## TECHNICAL SPECIFICATIONS

### SOURCE

(7) 15W RGBW 4-in-1 LEDs

100,000 Hour Average Lamp Life\*

\*May vary depending on several factors including but not limited to:  
Environmental Conditions, Power/Voltage, Usage Patterns (On-Off Cycling), Control, and Dimming.

### EFFECTS

Individual Pixel Control

Strobe and Selectable Dimming Curves

### COLOR

RGBW

### CONTROL / CONNECTIONS

(3) DMX Channel Modes (1CH:04 / 2CH:04 / 6 / 8 / 10 / 12 / 28 / 30 / 32 / 35)

RDM (Remote Device Management)

6 Button Touch Control Panel

Full Color 180° Reversible LCD Menu Display

8 / 16 Bit Resolution Adjustable Movement

3pin/5pin DMX In/Out

RJ45 Ethernet In/Out (KlingNET™ / Art-NET)

powerCON Power In/Out

### SIZE / WEIGHT

Length: 21.6" (550mm)

Width: 9.5" (241.2mm) (Glare Shield Installed)

Vertical Height: 6.8" (172.5mm)

Weight: 15.0 lbs. (6.8 kg)

### ELECTRICAL / THERMAL

AC 100-240V - 50/60Hz

135W Max Power Consumption

5F to 113°F (-15°C to 45°C)

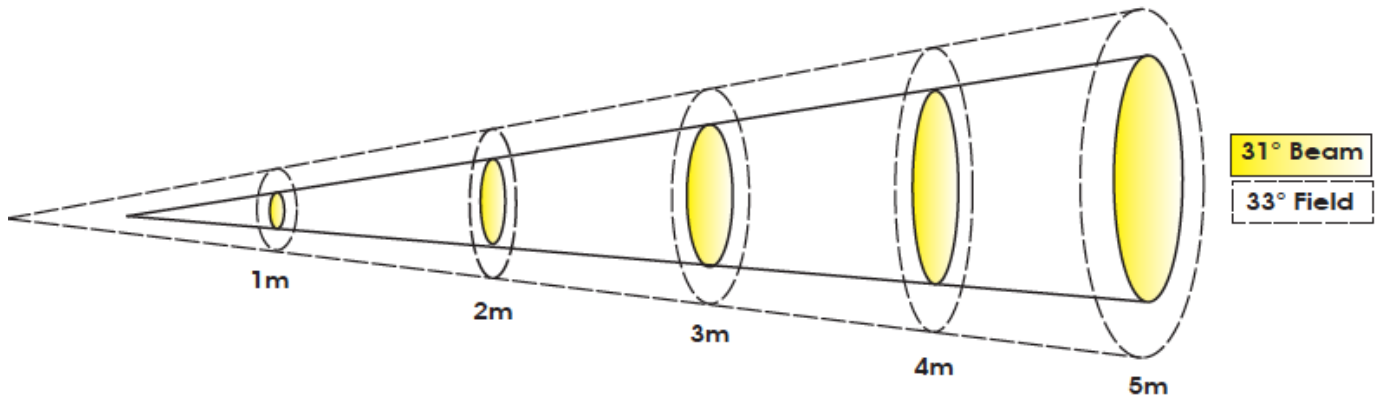
### APPROVALS / RATINGS

CE | IP30

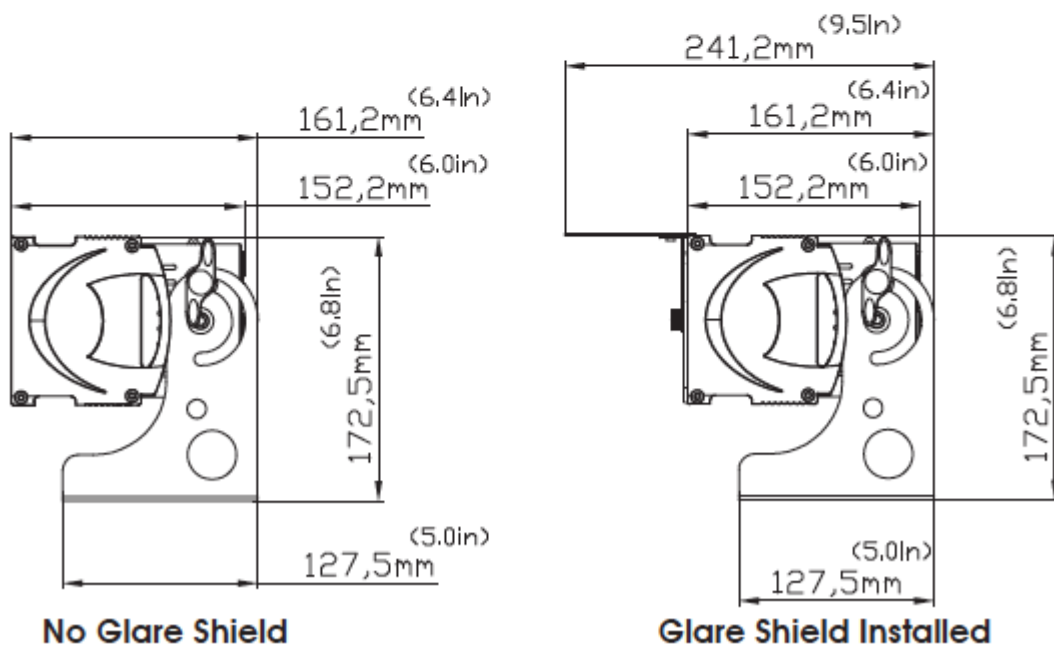
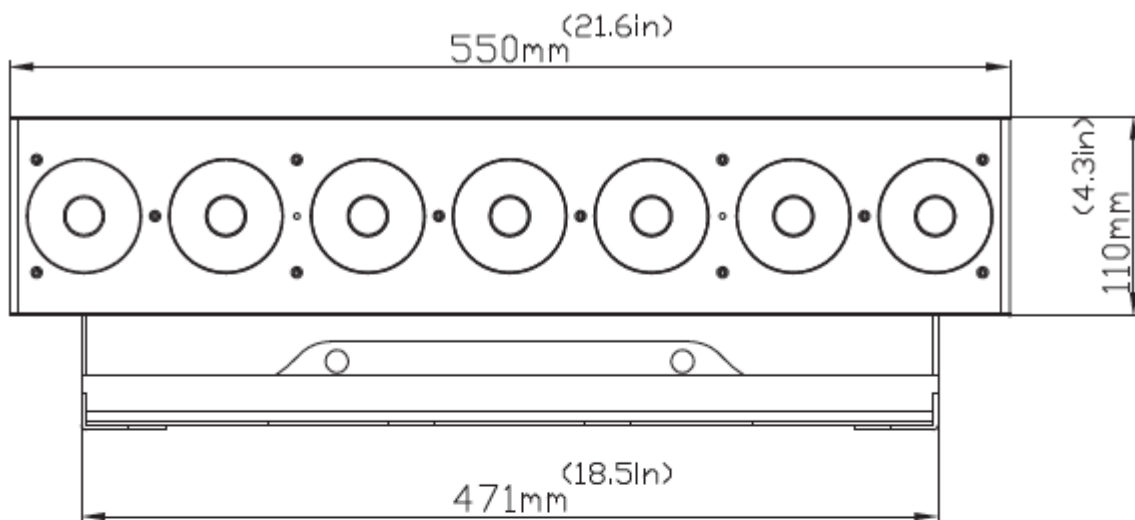


Please Note: Specifications and improvements in the design of this unit and this manual are subject to change without any prior written notice.

### PHOTOMETRIC DATA



### DIMENSIONAL DRAWINGS



Please Note: Specifications and improvements in the design of this unit and this manual are subject to change without any prior written notice.

## OPTIONAL ACCESSORIES

ORDER CODE	ITEM
TRIGGER CLAMP	Heavy Duty Wrap Around Hook Style Clamp
EWDMXSYSTEM	Wireless DMX System (1 Transmitter, 1 Receiver)
CAT005	5' (1.5m) CAT6 EtherCON Cable
PLC3	3 ft. (1m) PowerCON PRO Link Cable
AC3PDMX5PRO	5 ft. (1.5m) 3pin PRO DMX Cable
AC5PDMX5PRO	5 ft. (1.5m) 5pin PRO DMX Cable
	Additional Cable Lengths Available

