



## ACL 360 ROLLER™

SKU# ACL059

The new ACL 360 ROLLER™ is a unique moving head effect luminaire featuring a total of (20) individual 15W RGBW 4-in-1 LEDs positioned equally on four individual arrays attached together. Features include the new advanced collimator optic lens that produces a 4° laser-like homogenized color changing beam from each LED which combined produce a 21° beam angle from each bar, fast and precise 16-bit continuous full 360° pan and tilt rotation, full individual pixel control, strobe, and selectable dimming curve effects, DMX, RDM (Remote Device Management), KlingNET™ and Art-NET support, 3/5pin XLR, powerCON, and RJ45 ethernet in/out connections, (6) button control full color 180° reversible menu display, 280W max power consumption, and a multi-voltage universal auto switching power supply (100-240v).



### FEATURES

**Unique Beam Moving Head Effect Luminaire**

**New Advanced Collimator Optic Lens**

**(20) Pixel Controlled 15W RGBW 4-in-1 LEDs**

**Laser-Like Homogenized 4° Color Changing Beams**

**Fast and Precise 16-Bit Continuous 360° Pan/Tilt Rotation**

**Strobe and Selectable Dimming Curve Effects**

**RDM, KlingNET™ and Art-NET (DMX Over Ethernet)**

**Flicker Free Operation for Broadcast TV and FILM**



ELATION | ACL 360 ROLLER™ | Product Specification Sheet

Specifications are subject to change without notice ©Elation Professional 12/22/15

Elation Professional USA | 6122 S. Eastern Ave. | Los Angeles, CA. 90040  
323-582-3322 | 323-832-9142 fax | www.elationlighting.com | info@elationlighting.com

Elation Professional B.V. | Junostraat 2 | 6468 EW Kerkrade, The Netherlands  
+31 45 546 85 66 | +31 45 546 85 96 fax | www.elationlighting.eu | info@elationlighting.eu

**PRODUCT SPECIFICATIONS**

**SOURCE**

(20) 15W RGBW 4-in-1 LEDs  
100,000 Hour Average LED Life\*

\*LED Life may vary depending on several factors including but not limited to: Environmental Conditions, Power/Voltage, Usage Patterns (On-Off Cycling), Control and Dimming.

**PHOTOMETRIC DATA (Full ON)**

37,630 LUX 3,496 FC @3.3' (1m)  
17,700 LUX 1,644 FC @6.6' (2m)  
11,240 LUX 1,044 FC @9.8' (3m)  
7,571 LUX 703 FC @13.1' (4m)  
5,172 LUX 480 FC @16.4' (5m)

**EFFECTS**

Individual Pixel Control  
Electronic Strobe and Selectable Dimming Curves

**COLOR**

RGBW

**CONTROL / CONNECTIONS**

(3) DMX Channel Modes (17 / 19 / 95)  
RDM (Remote Device Management)  
6 Button Touch Control Panel  
Full Color 180° Reversible LCD Menu Display  
8 / 16 Bit Resolution Adjustable Movement  
3pin/5pin DMX In/Out  
RJ45 Ethernet In/Out (KlingNET™ / Art-NET)  
powerCON Power In/Out

**SIZE / WEIGHT**

Length: 18.9" (480.7mm)  
Width: 10.2" (260mm)  
Vertical Height: 21.3" (541mm)  
Weight: 44.0 lbs. (20 kg)

**ELECTRICAL / THERMAL**

AC 100-240V - 50/60Hz  
280W Max Power Consumption  
Power Linking: 4pcs Max @110V / 10pcs Max @240V  
5F to 113°F (-15°C to 45°C)

**APPROVALS / RATINGS**

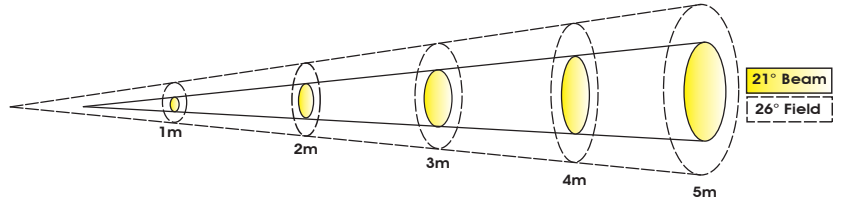
CE | IP30



**INSTALLATION**

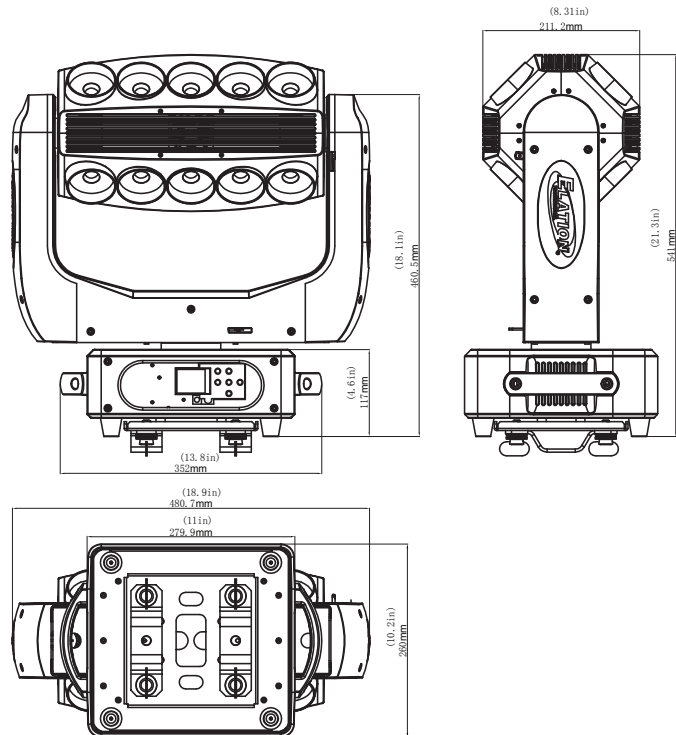
Rigging: Clamps (Not Included)

**PHOTOMETRIC DATA**



	1 m	3.3 ft	2 m	6.6 ft	3 m	9.8 ft	4 m	13.1 ft	5 m	16.4 ft
21° Beam Diameter	0.37	1.2	0.73	2.4	1.08	3.5	1.43	4.7	1.79	5.9
26° Field Diameter	0.48	1.6	0.91	3.0	1.36	4.5	1.8	5.9	2.24	7.3
	lux	fc	lux	fc	lux	fc	lux	fc	lux	fc
RED LEDs	10,570	982	5,955	553	3,210	298	2,158	200	1,531	142
GREEN LEDs	22,150	2,058	10,030	932	6,578	611	4,673	434	3,276	304
BLUE LEDs	3,634	338	1,749	162	1,156	107	753	70	488	45
WHITE LEDs	24,130	2,242	10,010	930	6,357	591	4,096	381	2,611	243
FULL ON	37,630	3,496	17,700	1,644	11,240	1,044	7,571	703	5,172	480

**DIMENSIONAL DIAGRAMS**



**OPTIONAL ACCESSORIES**

ORDER CODE	ITEM
TRIGGER CLAMP	Heavy Duty Wrap Around Hook Style Clamp
** pending **	Road Case For ACL 360 ROLLER™
EWDMSYSTEM	Wireless DMX System (1 Transmitter, 1 Receiver)
PLC3	3' (1m) PowerCON PRO Link Cable
CAT6PRO5	5' (1.5m) CAT6 EtherCON Cable
AC5PDMX5PRO	5 ft. (1.5m) 5pin PRO DMX Cable
	Additional cable lengths available

