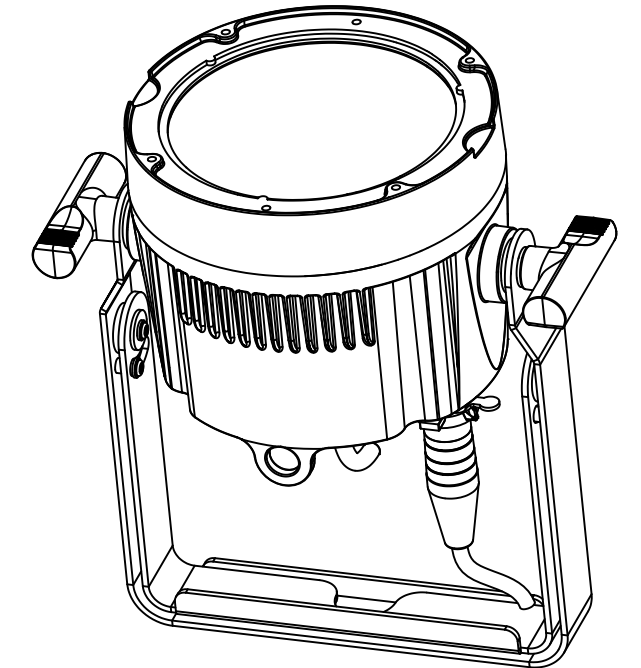
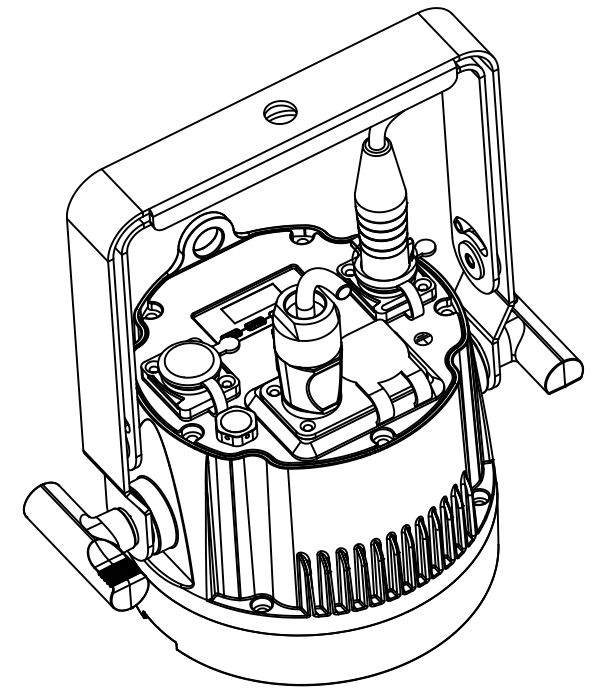
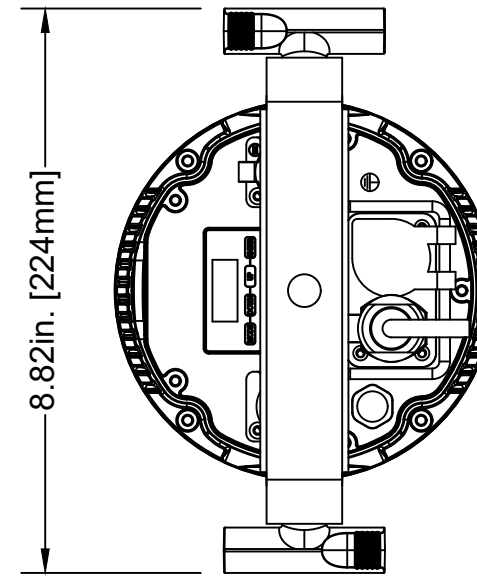
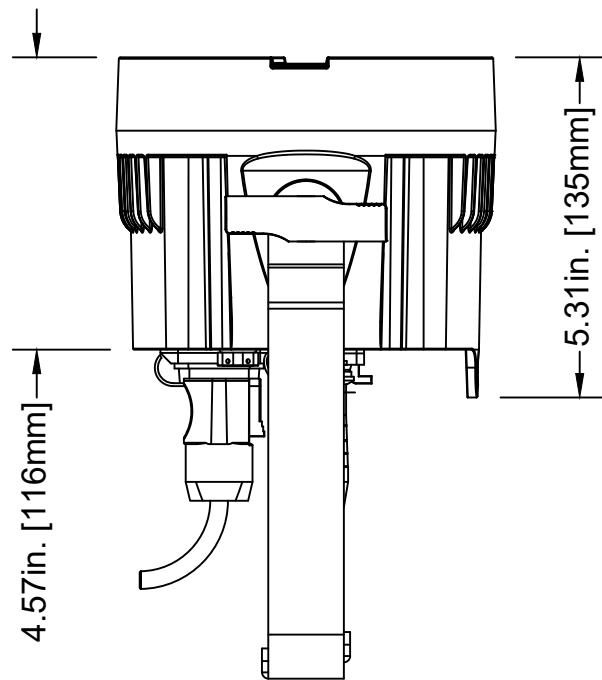
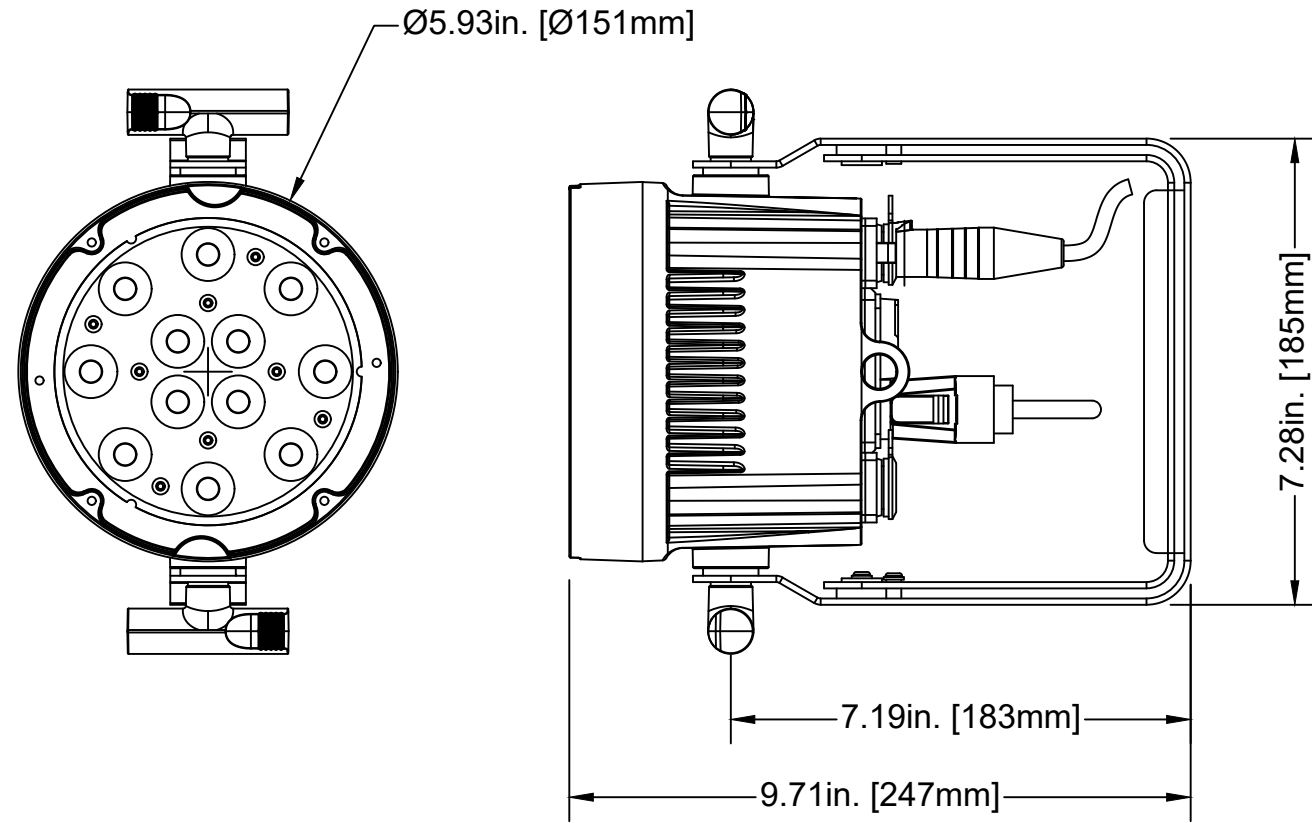


MAGMATIC PROPRIETARY INFORMATION. DO NOT REPRODUCE, COPY, OR USE WITHOUT EXPRESS WRITTEN PERMISSION. COPYRIGHT MAGMATIC.



MAGMATIC

| | | | |
|----------------------------------|-----------|-----------------|-------------------------------|
| TITLE: MAGMATIC PRISMA PAR 20 | | DATE: 200609 | |
| SCALE: NONE | TOL: ± | .XX(.X) - | .XXX(.XX) - ANGLE: - |