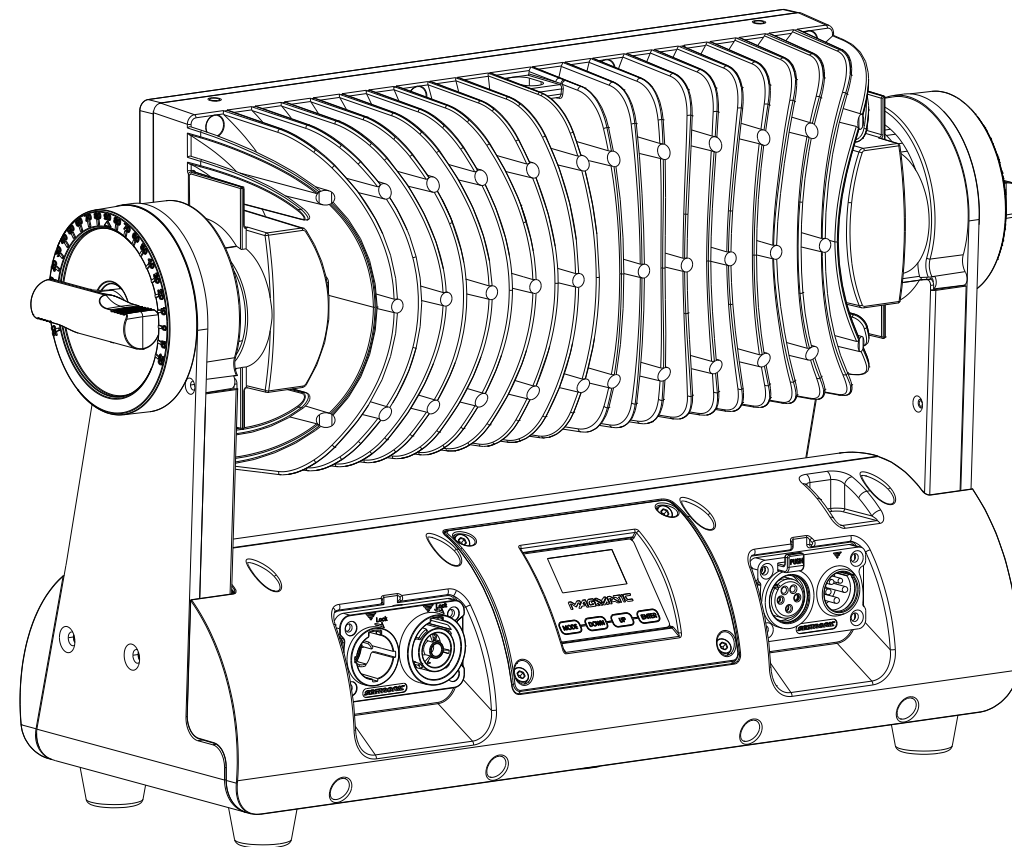
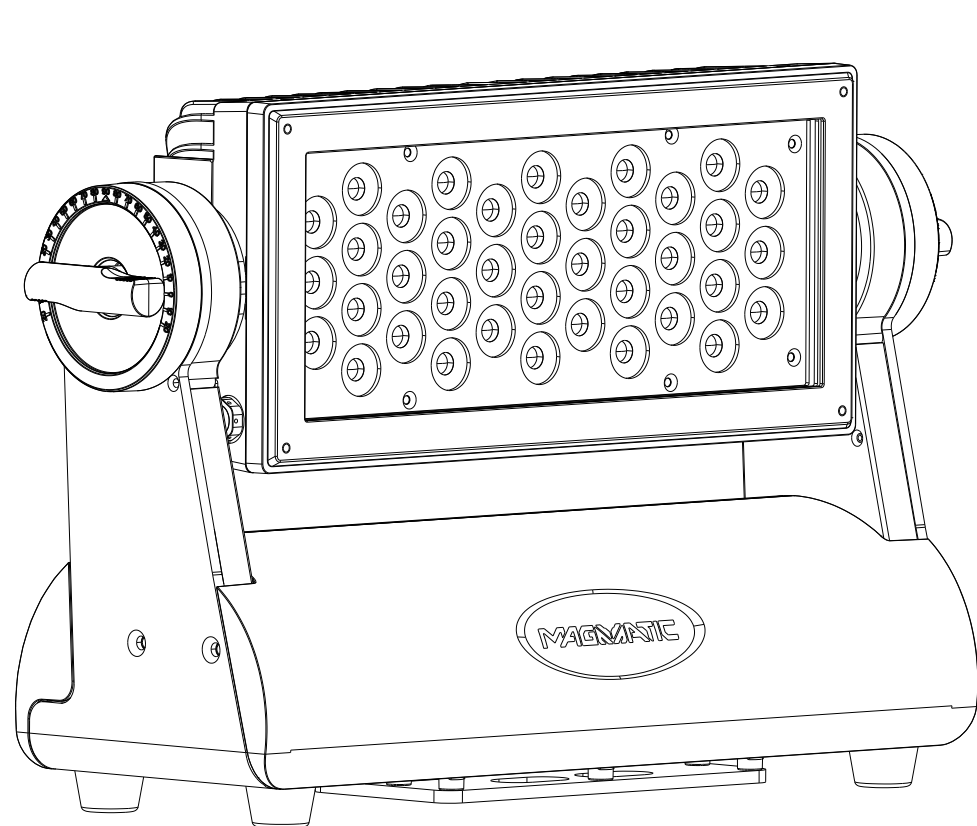
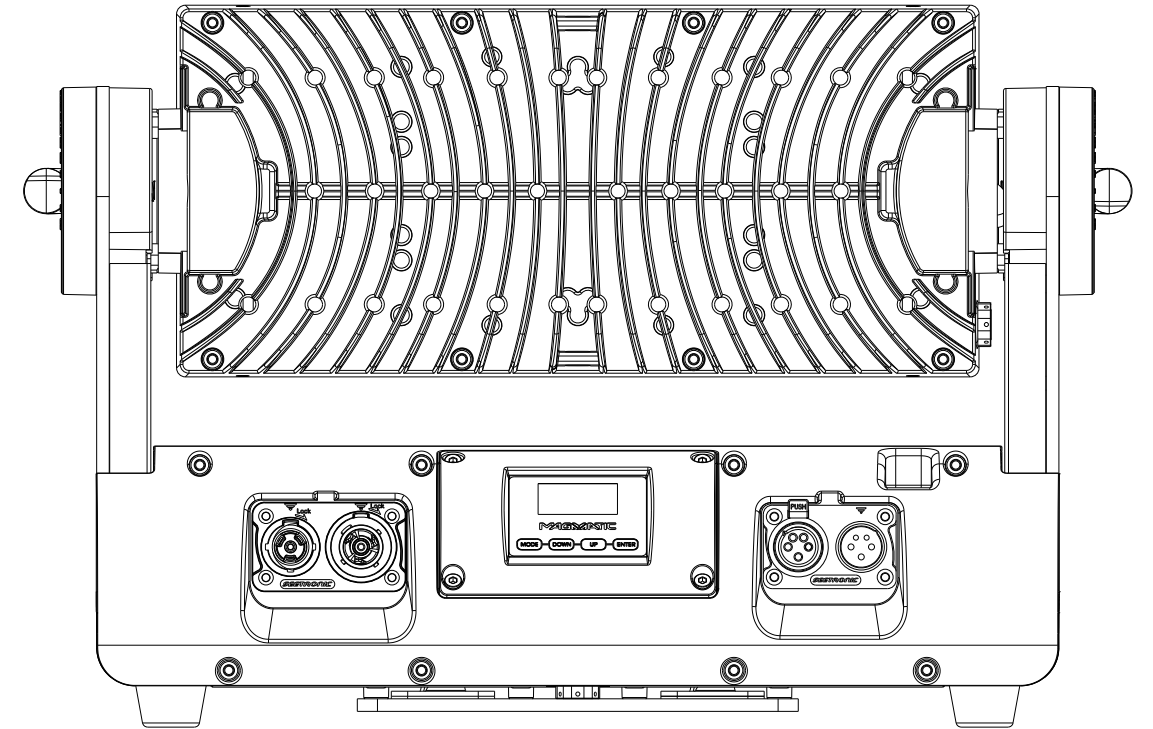
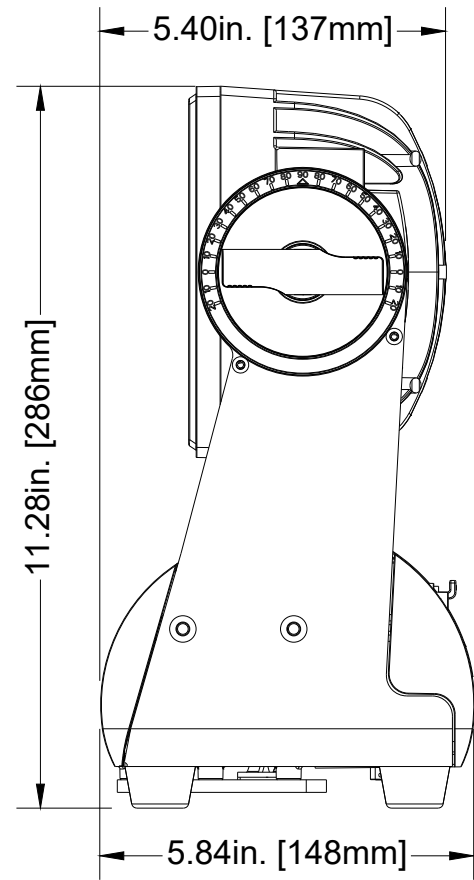
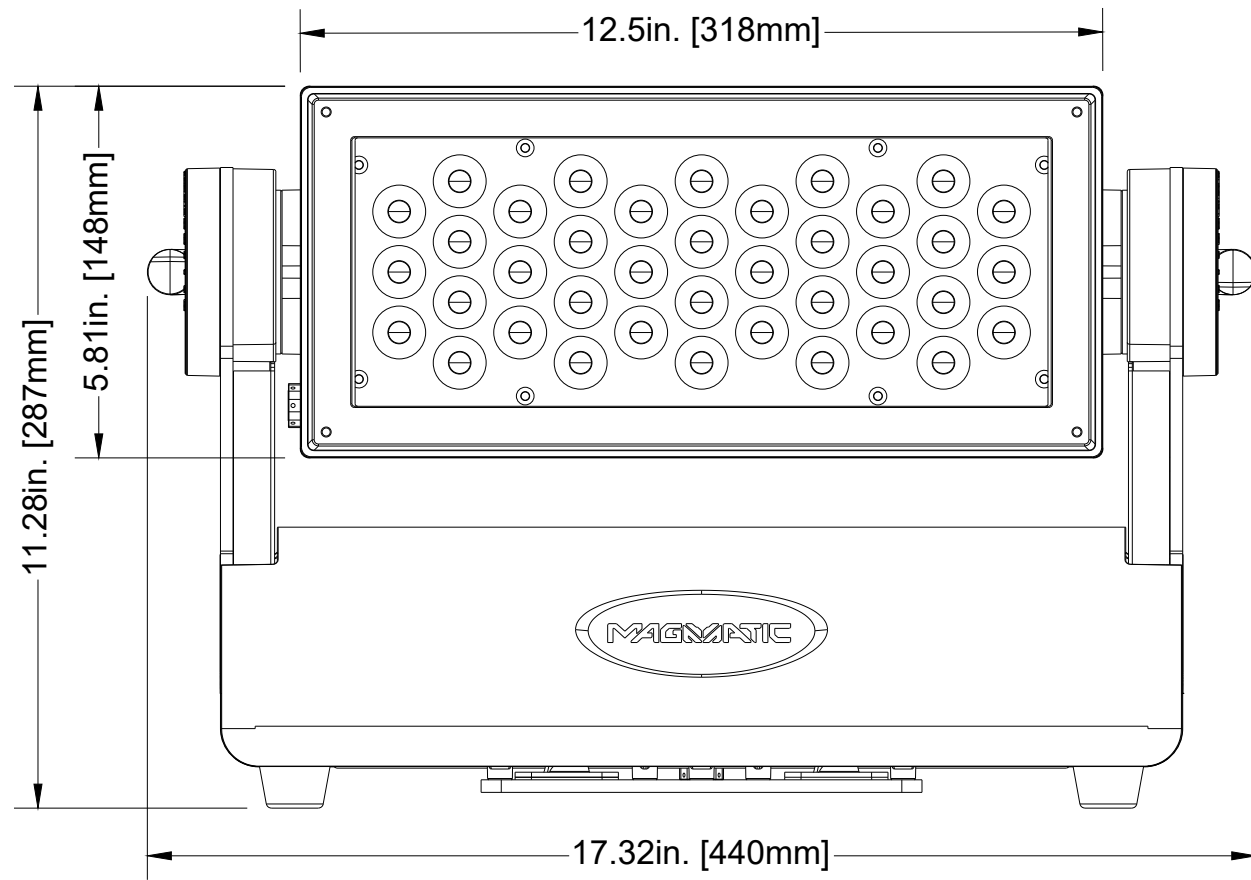


MAGMATIC PROPRIETARY INFORMATION. DO NOT REPRODUCE, COPY, OR USE WITHOUT EXPRESS WRITTEN PERMISSION. COPYRIGHT MAGMATIC.



MAGMATIC			
TITLE: MAGMATIC PRISMA WASH 25		DATE: 200609	
SCALE: NONE	TOL: ±	.XX(.X)	.XXX(.XX) ANGLE: -