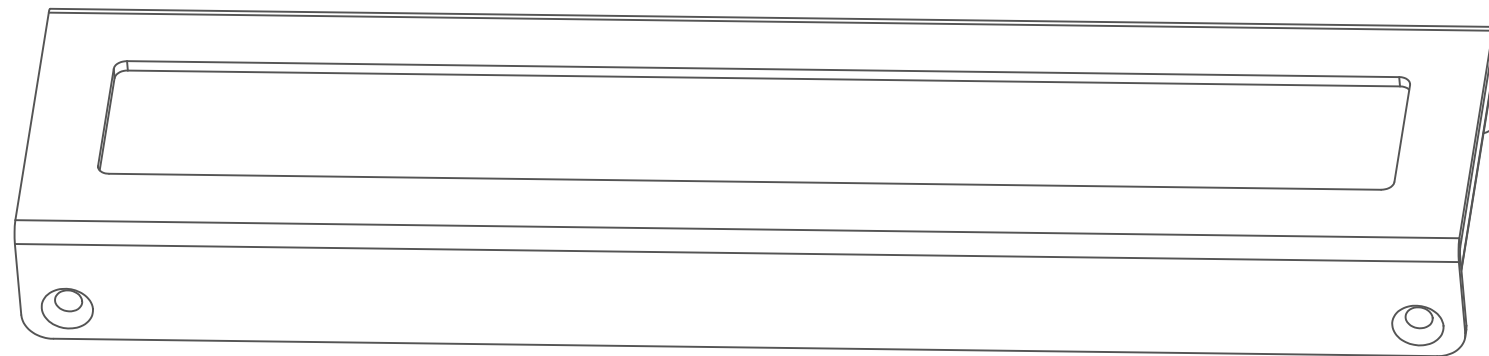
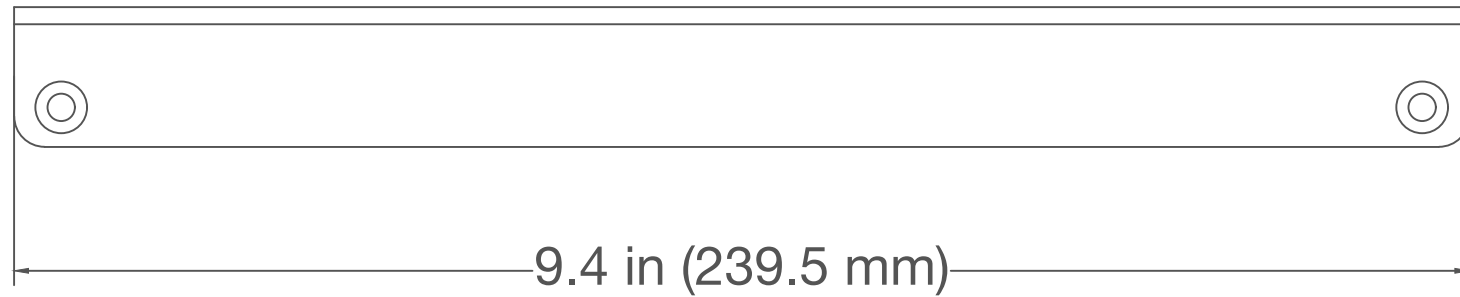
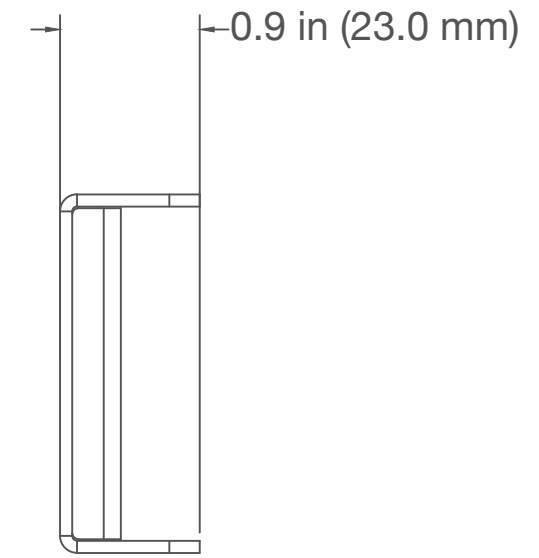
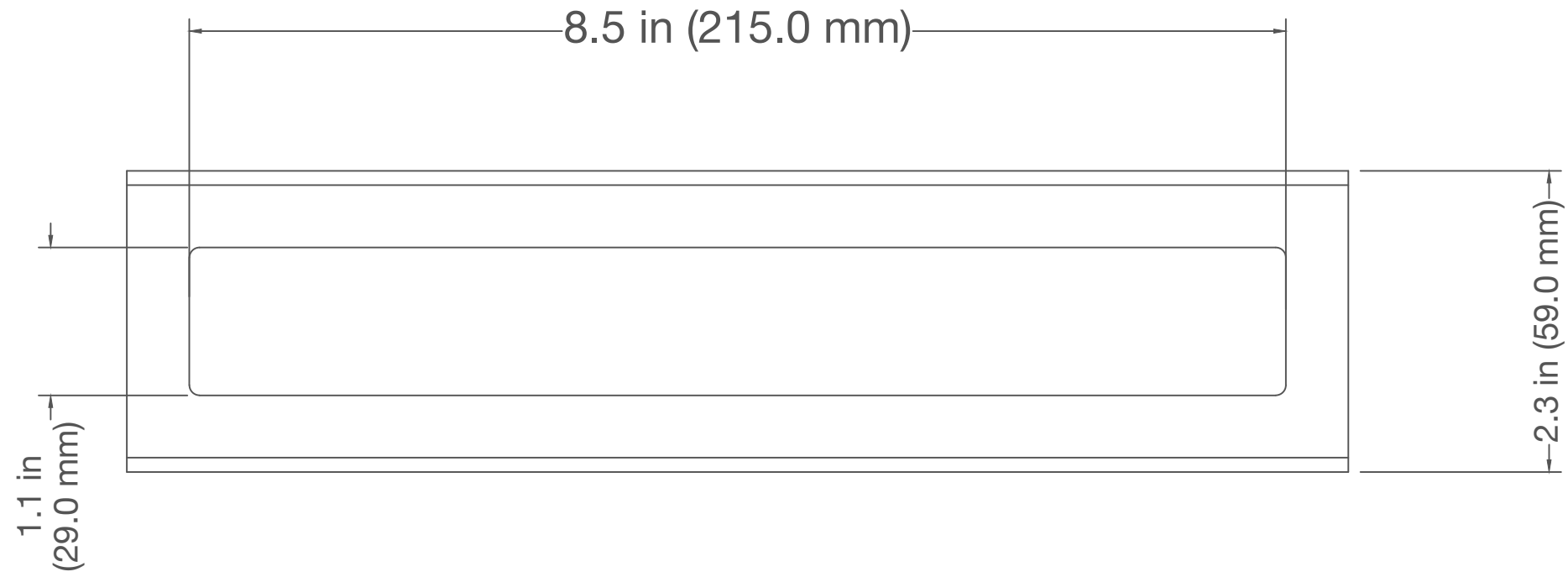


©MAGMATIC all rights reserved. Information contained within this drawing is proprietary and confidential. Any reproduction and/or distribution of any part of this drawing without the written consent of Magmatic is strictly prohibited. Diagrams and/or measurements herein subject to change without notice.



| | | | |
|---|-----------|--------------------------|----------------------|
| MAGMATIC | | | |
| TITLE: Prisma Black Glass Filter, PSG820 | | | DATE: 20-Aug-2020 |
| SCALE: NONE | TOL: ± | .XX(.X) - .XXX(.XX) - | ANGLE: - |