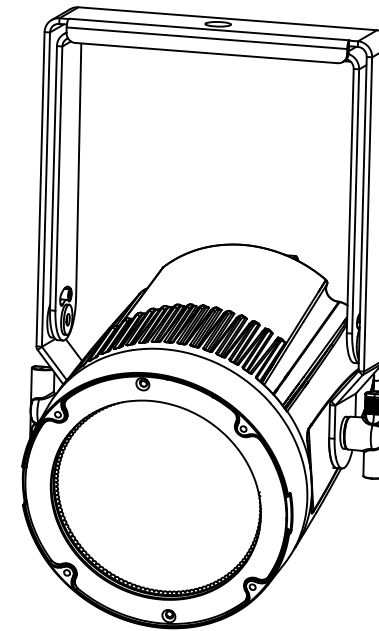
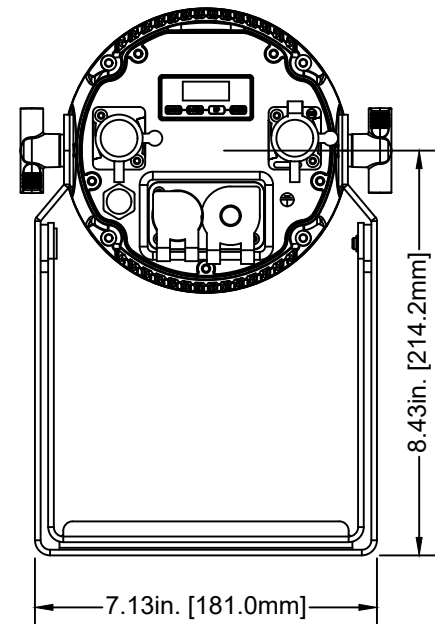
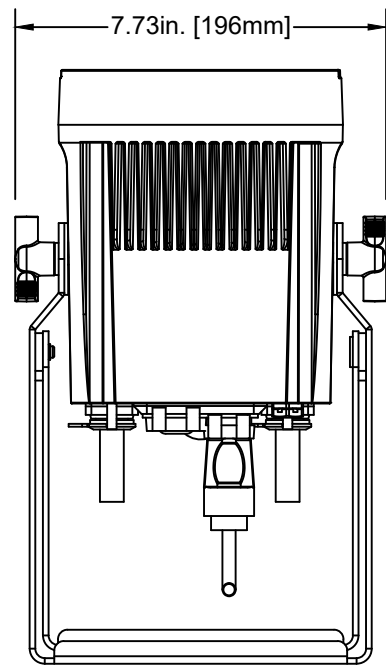
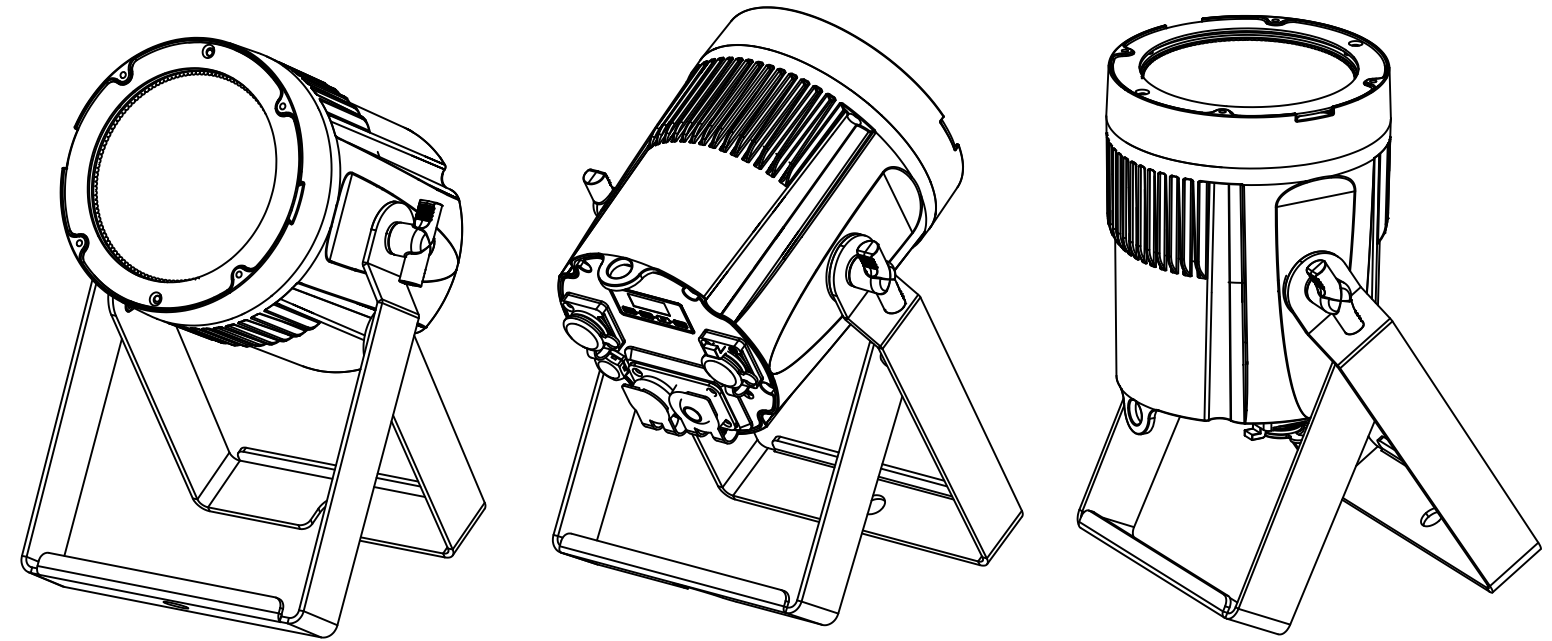
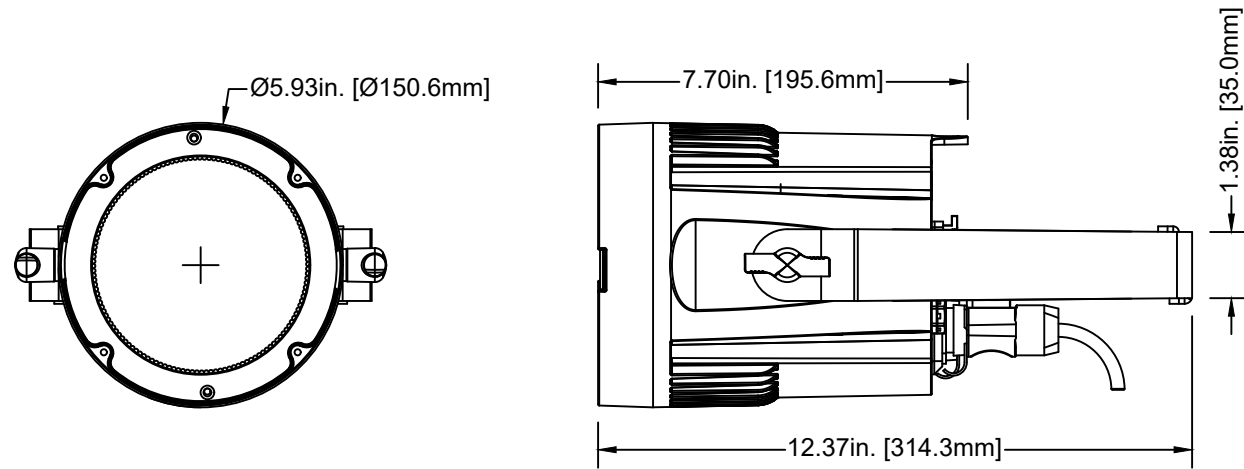


©MAGMATIC all rights reserved. Information contained within this drawing is proprietary and confidential. Any reproduction and/or distribution of any part of this drawing without the written consent of Magmatic is strictly prohibited. Diagrams and/or measurements herein subject to change without notice.



MAGMATIC			
TITLE: MAGMATIC PRISMA PAR 50		DATE: 200610	
SCALE: NONE	TOL: \pm	.XX(.X) -	.XXX(.XX) -
		ANGLE: -	