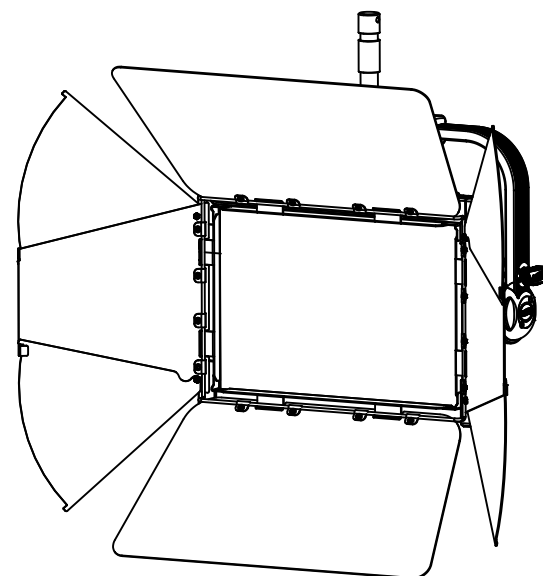
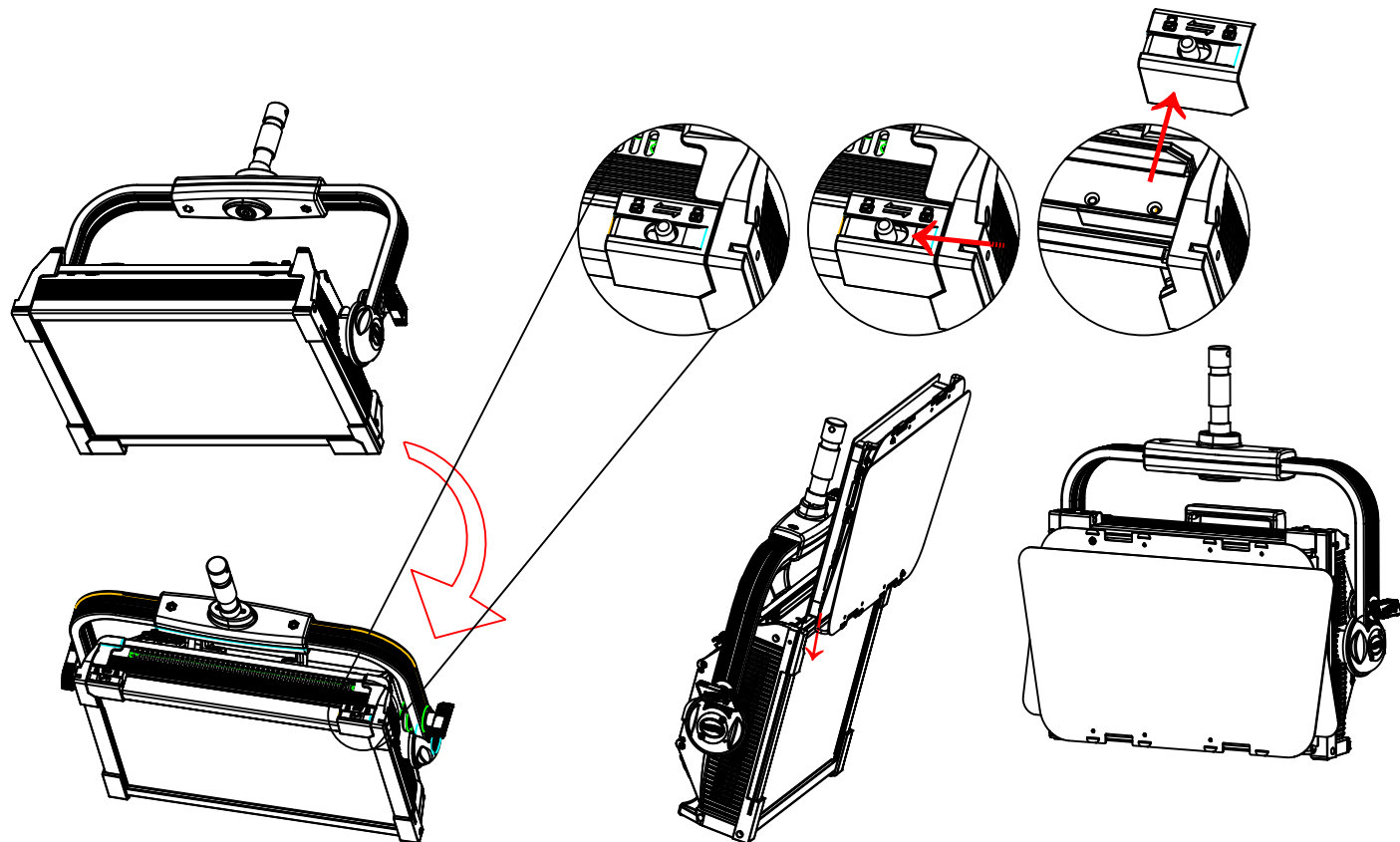
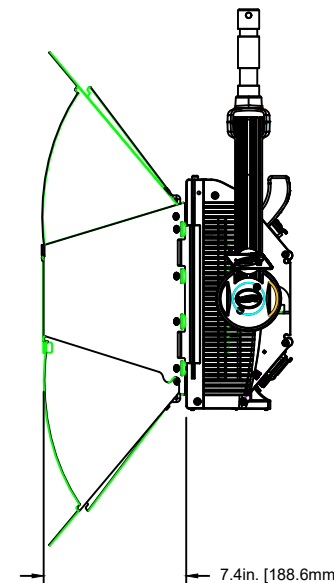
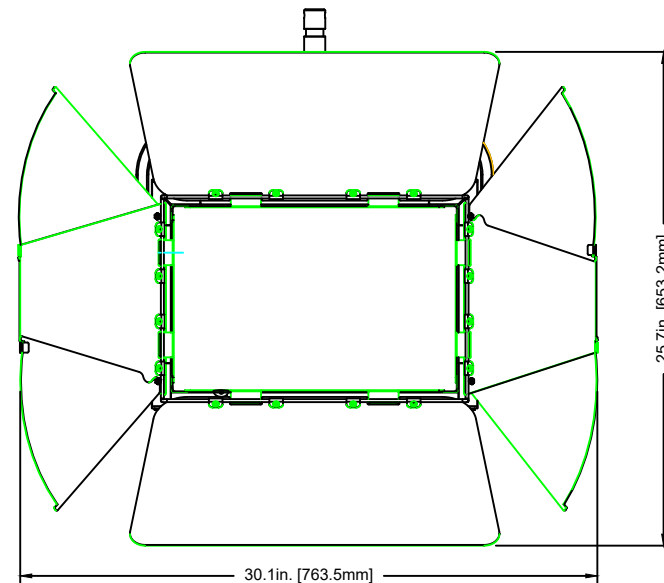
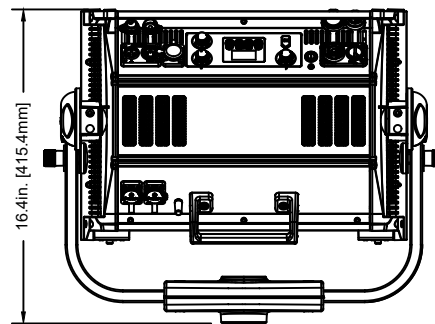
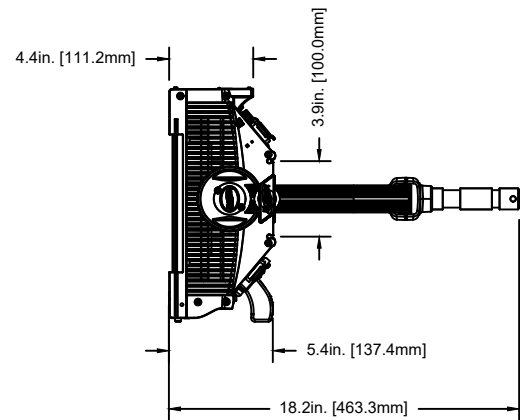
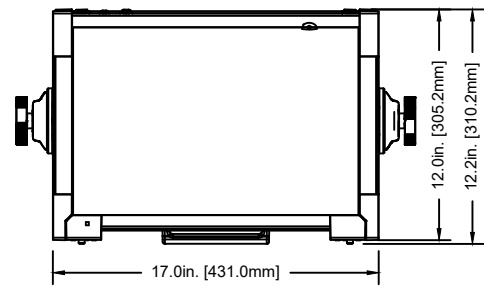
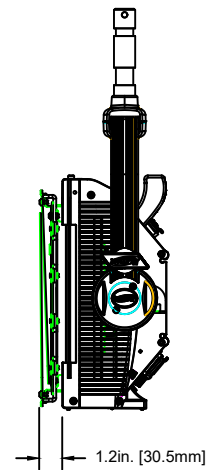
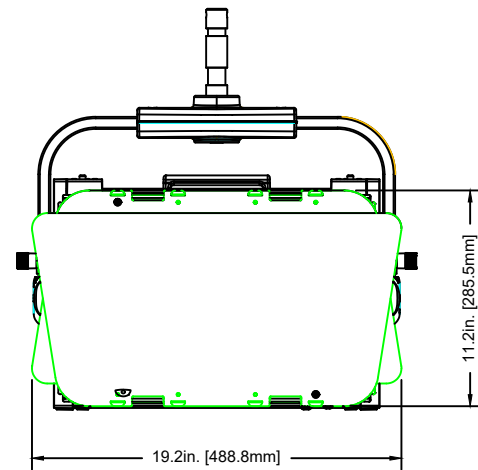
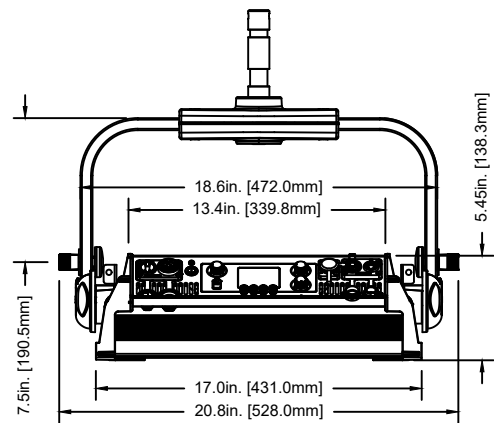


©ELATION PROFESSIONAL all rights reserved.
 Information contained within this drawing is proprietary and confidential.
 Any reproduction and/or distribution of any part of this drawing without
 the written consent of Elation Professional is strictly prohibited.
 Diagrams and/or measurements herein subject to change without notice.



ELATION PROFESSIONAL			
TITLE:		DATE:	
ELATION KL PANEL		200701	
SCALE:	TOL:		ANGLE:
NONE	±	.XX(.X) .XXX(.XX)	-