



## PALADIN™



PALADIN™ is an IP65 rated strobe wash blinder luminaire with motorized zoom. Featuring (24) high power 40W 4-in-1 RGBW LEDs, 6° to 32° motorized zoom, 210° manual tilt adjustment, variable pixel zone control, 64 color presets and 15 unique color macros, electronic strobe, 16-bit variable dimming curve modes, DMX and RDM (Remote Device Management) protocol support, IP rated 5pin DMX and IP65 Power Cable in/out connections, (4) button LCD control display panel, and a multi-voltage universal auto switching power supply (100-240v). Optional barn doors and egg crate available.

### FEATURES

**IP65 Strobe Wash Blinder Luminaire**

**24x 40W 4-in-1 RGBW LEDs**

**Motorized 6° to 32° Zoom and 210° Manual Tilt**

**Variable Pixel Zone Control**

**64 Color Presets and 15 Unique Program Macros**

**Electronic Strobe and Variable Dimming Curve Modes**

**Adjustable Refresh Rate Frequency and GAMMA**

**Flicker Free Operation for TV and FILM**

**Rugged Die-Cast Aluminum Exterior**

**Dual Quick-Lock Omega Brackets Included**

**Optional Barn Doors and Egg Crate Available**



**PRODUCT SPECIFICATIONS**

**SOURCE**

(24) 40W 4-in-1 RGBW LEDs  
50,000 Hour Average LED Life\*

\*May vary depending on several factors including but not limited to: Environmental Conditions, Power/Voltage, Usage Patterns (On-Off Cycling), Control and Dimming.

**PHOTOMETRIC DATA**

79,252 LUX 7,362 FC @9.8' (2m) (6° Full ON)  
6,848 LUX 636 FC @9.8' (2m) (32° Full ON)

**COLOR**

RGBW

**EFFECTS**

Variable Pixel Zone Control  
64 Color Presets and 15 Color Macros  
High Speed Electronic Strobe  
16-bit Variable Dimming Curve Modes

**CONTROL / CONNECTIONS**

Motorized 9° to 25° Zoom  
Manual 210° Tilt Movement  
(3) DMX Channel Modes (33 total channels)  
Adjustable Refresh Rate (900-1500, 25,000 Hz)  
Adjustable Gamma Brightness (2.0, 2.2, 2.4, 2.8)  
4 Button Control Panel and LCD Menu Display  
RDM (Remote Device Management)  
5pin DMX In/Out  
IP65 Power In/Out

**SIZE / WEIGHT**

Length: 18.8" (478mm)  
Width: 9.2" (233mm)  
Vertical Height: 16.0" (407.5mm)  
Weight: 46.0 lbs. (20.9 kg)

**ELECTRICAL / THERMAL**

AC 110-240V - 50/60Hz  
990W Max Power Consumption  
5°F to 113°F (-15°C to 45°C)

**APPROVALS / RATINGS**



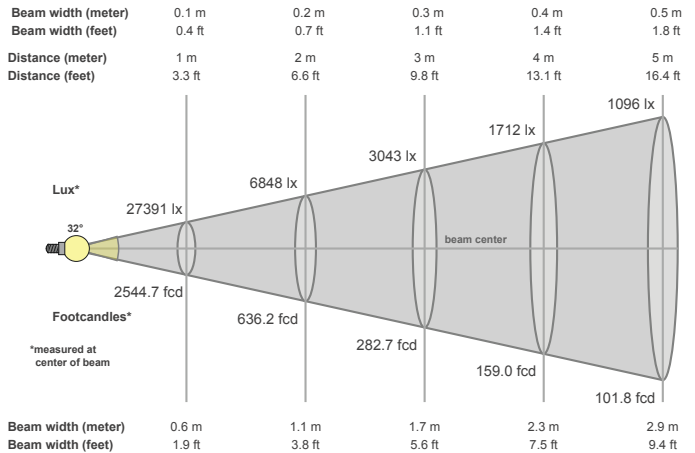
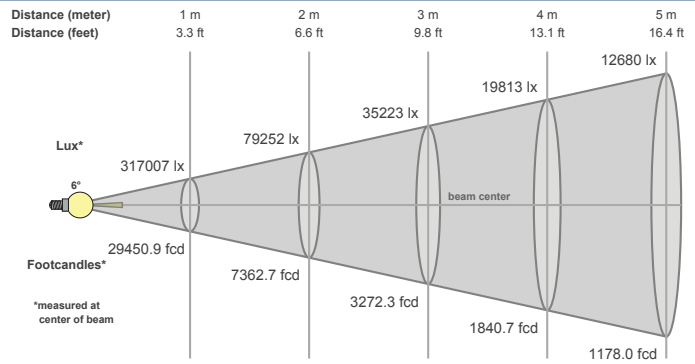
**INCLUDED ITEMS**

(2) Omega Brackets  
IP65 Power Cable

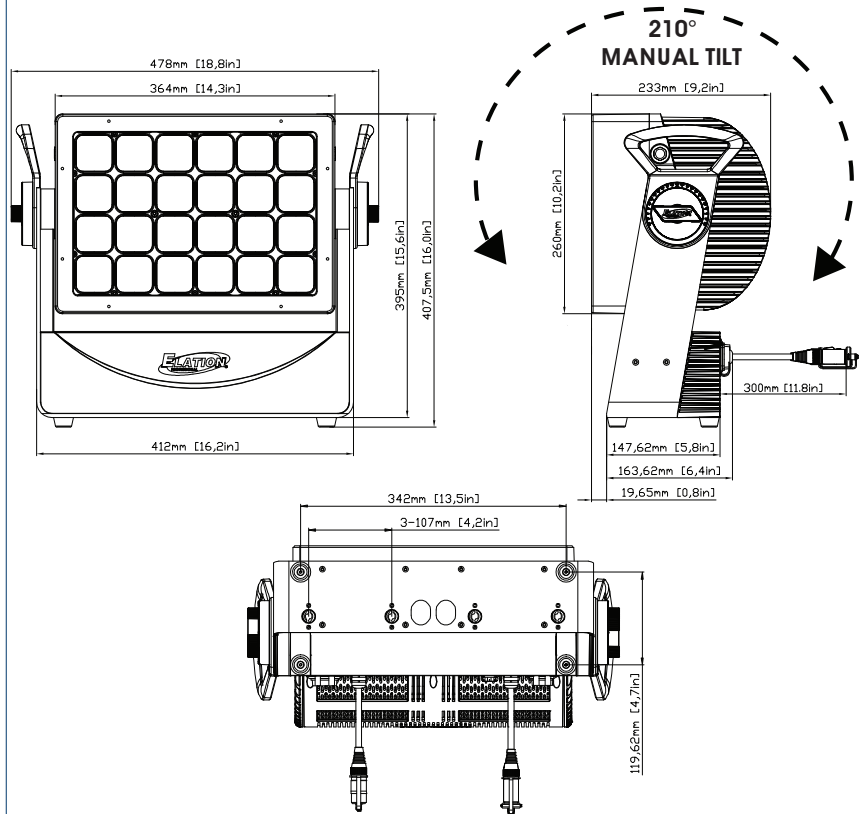
**ORDERING INFORMATION**

ORDER CODE	ITEM
PAL001	PALADIN
DRCPALADIN	Quad Road Case for Paladin
PAL120	Paladin Barn Door
PAL540	Paladin Egg Crate
PRO CLAMP	Heavy Duty 2 inch Pro Clamp
NEU088	3' (1m) IP65 Power Link Cable
	Additional cable lengths available

**PHOTOMETRIC DATA**



**DIMENSIONAL DRAWINGS**



Specifications are subject to change without notice ©Elation Professional 02/13/18

Elation Professional USA | 6122 S. Eastern Ave. | Los Angeles, CA. 90040  
323-582-3322 | 323-832-9142 fax | www.elationlighting.com | info@elationlighting.com

Elation Professional B.V. | Junostraat 2 | 6468 EW Kerkrade, The Netherlands  
+31 45 546 85 66 | +31 45 546 85 96 fax | www.elationlighting.eu | info@elationlighting.eu