



SIXBAR 500™

SKU# SIX074

The new SIXBAR 500™ features (6) 12W 6-IN-1 RGBAW+UV LEDs, 30° beam angle, individual control of each LED, variable dimming curve modes, strobe and chase effects, a UV wavelength of 395nm, ArtNet, KlingNet and RDM (remote device management) protocol support, 3pin and 5pin DMX, Locking Power Cable, and RJ45 in/out connections, LCD menu display with 4 button control panel, integrated dual rigging brackets, multiple unit power linking, rugged die-cast aluminum exterior, flicker free operation for TV and FILM, 93W max power consumption, and a multi-voltage universal auto switching power supply (110-240v).



FEATURES

- 6 x 12W 6-in-1 RGBAW+UV LEDs**
- 30° Beam Angle**
- UV Wavelength 395nm**
- ArtNet and KlingNet Protocol Support**
- RDM (Remote Device Management)**
- Individual Control of Each LED**
- Variable Dimming Curves**
- Strobe and Zone Chase Effects**
- Integrated Dual Rigging Brackets**
- Multiple Unit Power Linking**
- Rugged Die-Cast Aluminum Exterior**
- Flicker Free Operation for TV and FILM**



Frost Filter and Glare Shield Included

PRODUCT SPECIFICATIONS

SOURCE

(6) 12W 6-in-1 RGBAW+UV LEDs
100,000 Hour Average LED Life*

*LED Life may vary depending on several factors including but not limited to: Environmental Conditions, Power/Voltage, Usage Patterns (On-Off Cycling), Control and Dimming.

PHOTOMETRIC DATA

6,500 LUX 604 FC @3.3' (1m) (30° Full ON)
1,934 LUX 180 FC @6.6' (2m) (30° Full ON)
901 LUX 84 FC @9.8' (3m) (30° Full ON)
508 LUX 47 FC @13.1' (4m) (30° Full ON)
318 LUX 30 FC @16.4' (5m) (30° Full ON)

EFFECTS

Strobe and Chase Effects
Individual LED Control
Variable and Selectable Dimming Curves

CONTROL / CONNECTIONS

8 DMX Channel Modes (6 / 7 / 11 / 13 / 18 / 36 / 39 / 43)
4 Button Control Panel and LCD Menu Display
ArtNet + KlingNET Protocol Support
RDM (Remote Device Management)
(2) ethernet Ports
3pin and 5pin DMX In/Out
Locking Power Cable In/Out

SIZE / WEIGHT

Length: 17.7" (450mm)
Width: 8.1" (206.4mm) *with included shield
Vertical Height: 6.1" (155mm)
Weight: 9.0 lbs. (4.1 kg)

ELECTRICAL / THERMAL

AC 110-240V - 50/60Hz
93W Max Power Consumption
Power Linking: 11pcs @110V / 25pcs @240V
5°F to 113°F (-15°C to 45°C)
UV Wavelength: 395nm

APPROVALS / RATINGS

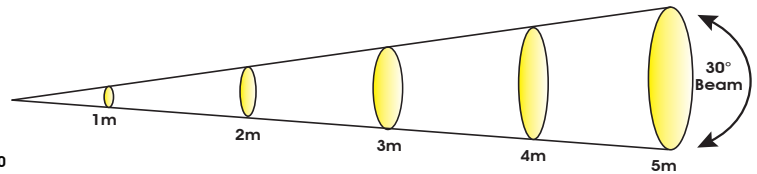
CE | cETLus | IP20



INCLUDED ITEMS

Locking Power Cable
Frost Filter
Glare Shield

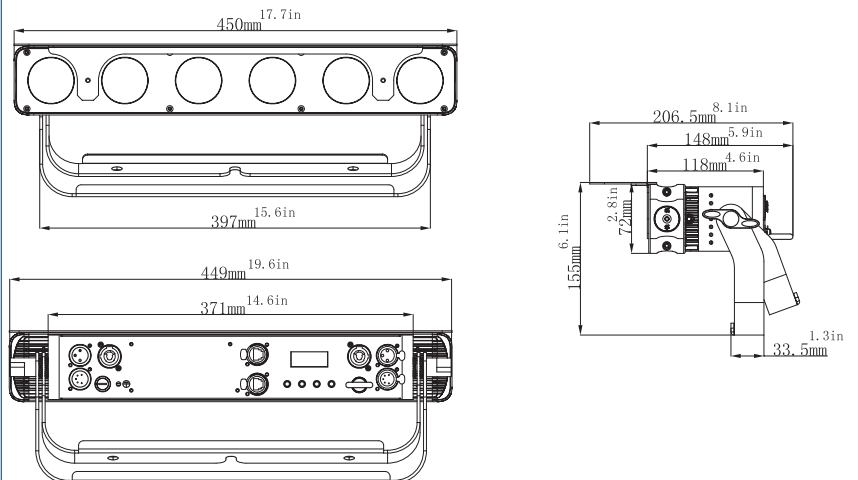
PHOTOMETRIC DATA



SIXBAR 500

Distance	m		ft		m		ft		m		ft		m		ft	
	1	3.3	2	6.6	3	9.8	4	13.1	5	16.4	30° Beam Diameter					
30° Beam Diameter	0.52	1.7	1.05	3.4	1.58	5.2	2.13	7.0	2.66	8.7						
Photometrics	lux	fc	lux	fc	lux	fc	lux	fc	lux	fc	lux	fc	lux	fc	lux	fc
RED LEDs	590	55	200	19	104	10	56	5	40	4						
GREEN LEDs	1,141	106	330	31	179	17	109	10	66	6						
BLUE LEDs	1,180	110	340	32	190	18	110	10	72	7						
WHITE LEDs	1,412	131	440	41	230	21	129	12	88	8						
AMBER LEDs	520	48	158	15	84	8	49	5	35	3						
UV LEDs	285	26	79	7	44	4	26	2	14	1						
FULL ON	6,500	604	1,934	180	901	84	508	47	318	30						

DIMENSIONAL DIAGRAMS



OPTIONAL ACCESSORIES

ORDER CODE	ITEM
TRIGGER CLAMP	Heavy Duty Wrap Around Hook Style Clamp
EWDMSYSTEM	Wireless DMX System (1 Transmitter, 1 Receiver)
EWDMXT	Wireless DMX Transmitter
EWDMXR	Wireless DMX Receiver
AC3PDMX5PRO	5 ft. (1.5m) 3pin PRO DMX Cable
AC5PDMX5PRO	5 ft. (1.5m) 5pin PRO DMX Cable
PLC3	3' (1m) Locking PRO Link Cable
CAT005	5' (1.5m) CAT6 Ethernet Cable
	Additional cable lengths available

