



DTW BAR 1000™



The DTW BAR 1000™ features (12) 10W multi-chip Cool White / Warm White / Amber LEDs, 20° beam 40° field angles, selectable dim-to-warm control, cool white, warm white, and amber color mixing, full pixel and 1,600K - 6,500K color temperature control, variable 16-bit dimming curve modes, selectable color and program macros, strobe and chase effects, DMX, RDM, KlingNet, and Art-Net protocol support, DMX, RJ45, and power in/out connections, LCD menu display with 4 button control panel, integrated dual rigging brackets, multiple unit power linking, rugged die-cast aluminum exterior, included frost filter and glare shield, flicker free operation for TV and FILM, and a multi-voltage universal auto switching power supply (110-240v).

FEATURES

12 x 10W Multi-Chip Cool White/Warm White/Amber LEDs

20° Beam 40° Field Angles

Selectable Dim-to-Warm Control

Cool White, Warm White, Amber Color Mixing

Full Pixel + Color Temperature Control (1,600K - 6,500K)

Variable 16-bit Dimming Curve Modes

Selectable Color and Program Macros

DMX, RDM, KlingNet, and Art-Net Support

Rugged Die-Cast Aluminum Exterior

Flicker Free Operation for TV and FILM



Frost Filter and Glare Shield Included

Specifications are subject to change without notice ©Elation Professional 02/04/19

Elation Professional USA | 6122 S. Eastern Ave. | Los Angeles, CA. 90040
323-582-3322 | 323-832-9142 fax | www.elationlighting.com | info@elationlighting.com

Elation Professional B.V. | Junostraat 2 | 6468 EW Kerkrade, The Netherlands
+31 45 546 85 66 | +31 45 546 85 96 fax | www.elationlighting.eu | info@elationlighting.eu

SPECIFICATIONS

SOURCE

(12) 10W Multi-Chip CW / WW / Amber LEDs
 100,000 Hour Average LED Life*

*May vary depending on several factors including but not limited to: Environmental Conditions, Power/Voltage, Usage Patterns (On-Off Cycling), Control and Dimming.

PHOTOMETRIC DATA

2,900+ Total Output Lumens
 17,878 LUX 1,661 FC @3.3' (1m) (Full ON)
 9,467 LUX 879 FC @3.3' (1m) (Warm White)
 9,177 LUX 853 FC @3.3' (1m) (Cool White)

EFFECTS

Selectable Dim-to-Warm Control
 Cool White, Warm White, Amber Color Mixing
 Full Pixel + Color Temperature Control (1,600K - 6,500K)
 Variable 16-bit Dimming Curve Modes
 Selectable Color and Program Macros

CONTROL / CONNECTIONS

(14) DMX Channel Modes (72 total channels)
 4 Button Control Panel and LCD Menu Display
 RDM (Remote Device Management)
 ArtNet + KlingNET Protocol Support
 (2) ethernet RJ45 In/Out
 3pin and 5pin DMX In/Out
 Locking Power Cable In/Out

SIZE / WEIGHT

Length: 35.4" (900mm)
 Width: 8.1" (206.4mm) *with included glare shield
 Vertical Height: 6.1" (155mm)
 Weight: 14.0 lbs. (6.4 kg)

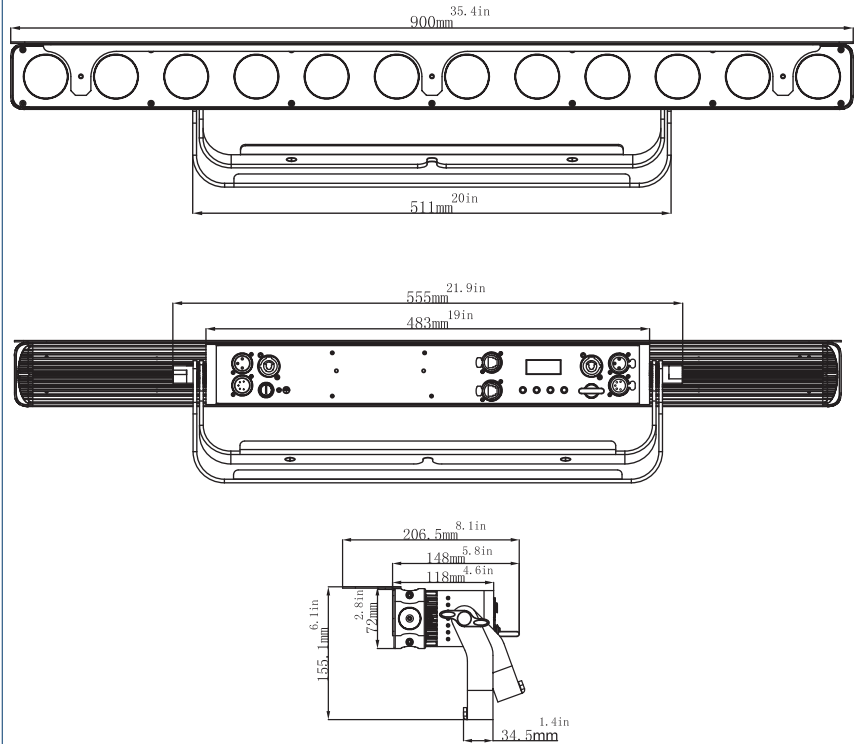
ELECTRICAL / THERMAL

AC 110-240V - 50/60Hz
 120W Max Power Consumption
 5°F to 113°F (-15°C to 45°C)

APPROVALS / RATINGS



DIMENSIONAL DRAWINGS



ORDERING INFORMATION

PRODUCT ORDER CODE	
DTW392	DTW BAR 1000
OPTIONAL ACCESSORIES ORDER CODES	
DRCSB1000-12	12-Pack Road Case for SIX BAR 1000
TRIGGER CLAMP	Heavy Duty Wrap Around Hook Style Clamp
PLC3	3' (1m) Locking Power PRO Link Cable
AC3PDMX5PRO	5 ft. (1.5m) 3pin PRO DMX Cable
AC5PDMX5PRO	5 ft. (1.5m) 5pin PRO DMX Cable
CAT005	5' (1.5m) CAT6 ethernet Cable
	Additional cable lengths available

