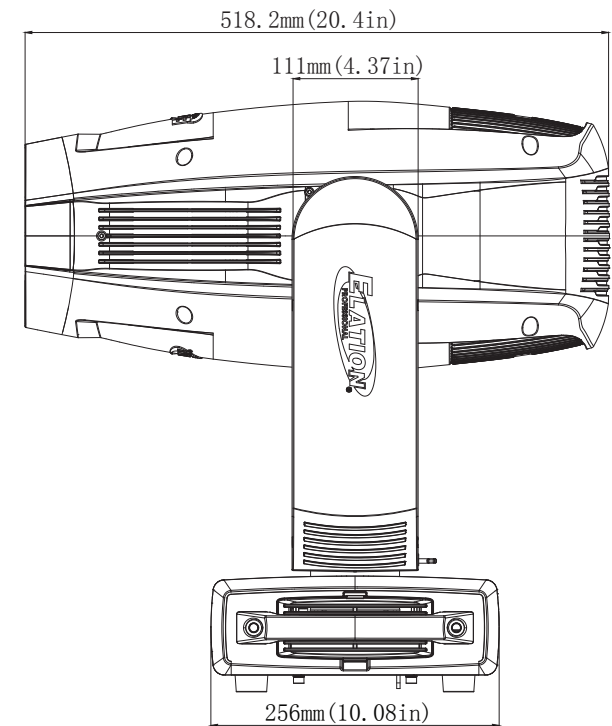
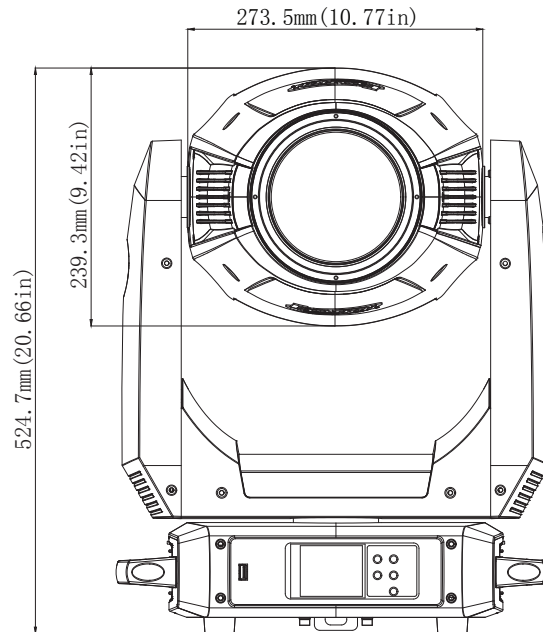
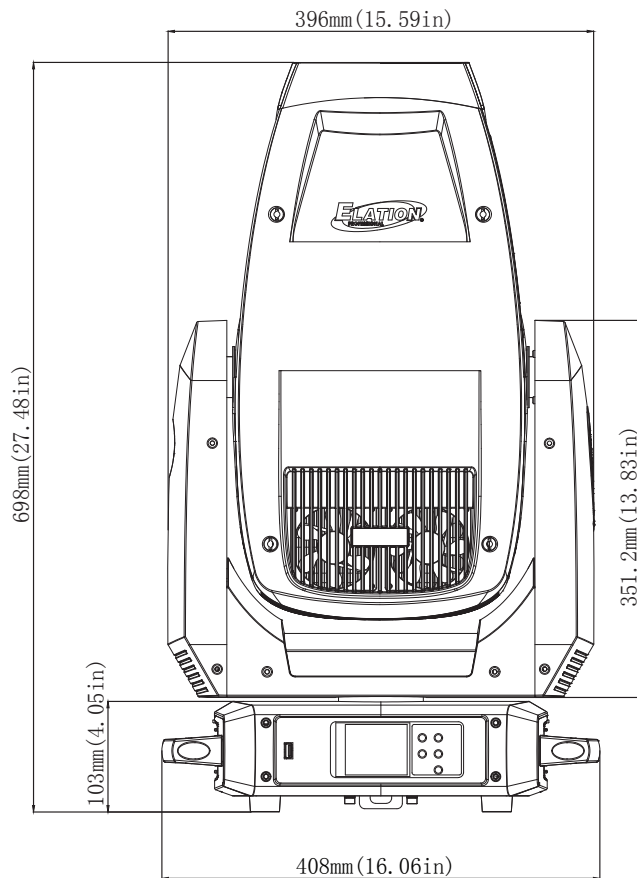


# FUZE PROFILE™

## 2D CAD Dimensional Drawings



\*DRAWINGS NOT TO SCALE