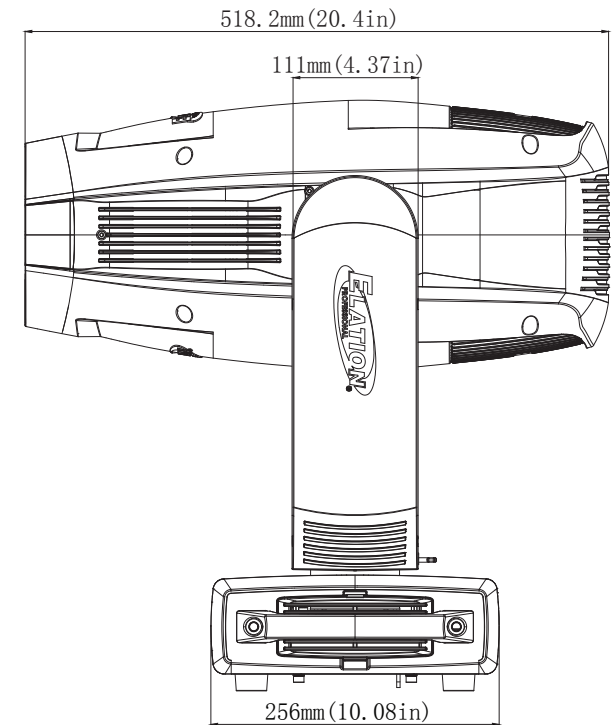
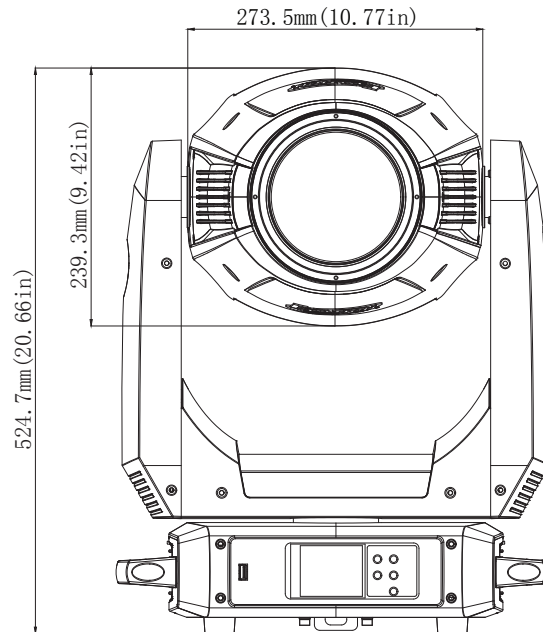
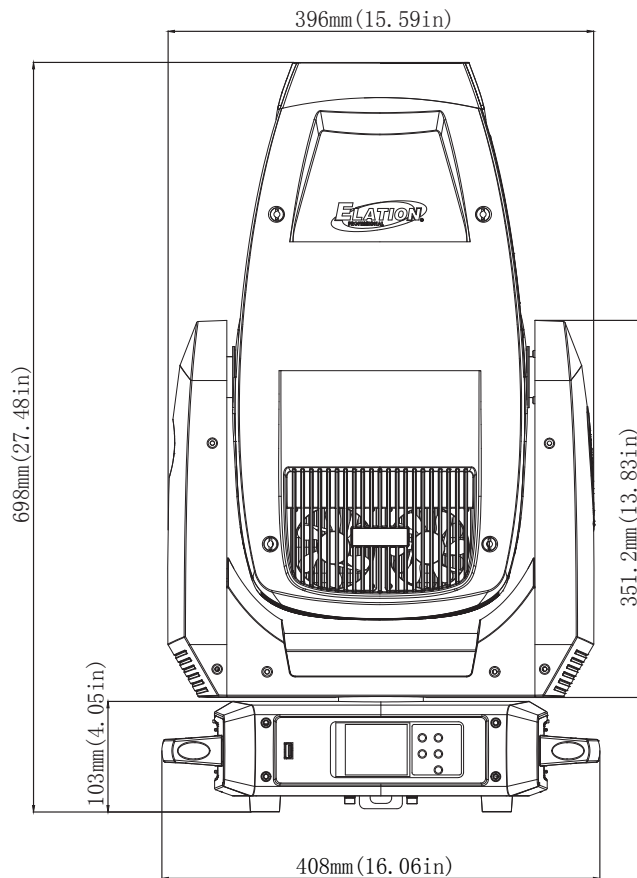


FUZE PROFILE CW™

2D CAD Dimensional Drawings



*DRAWINGS NOT TO SCALE