

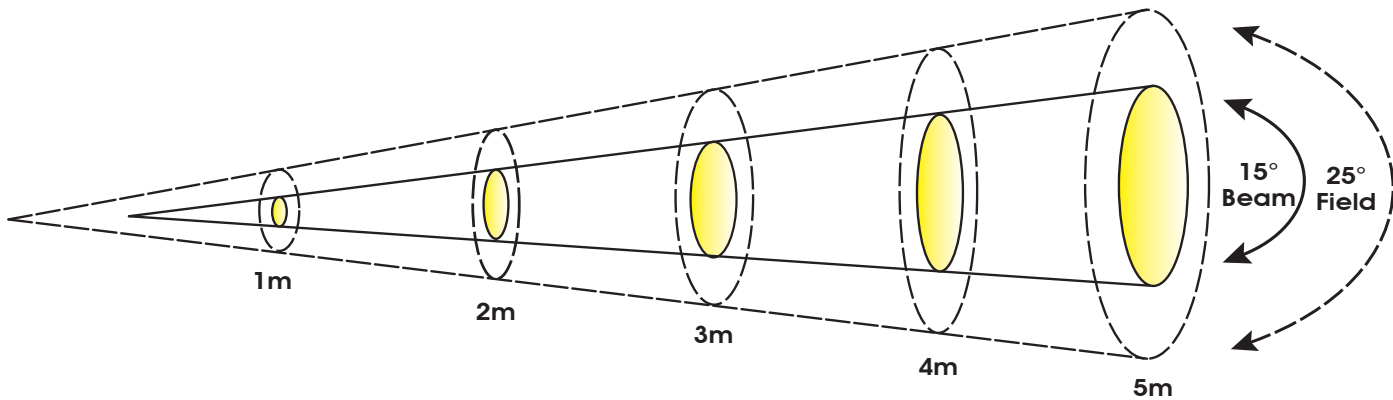
SIXPAR 200 IP™

SKU# SIX013



Photometric Data

Specifications are subject to change without any prior written notice.



Distance	m	ft	m	ft	m	ft	m	ft	m	ft
	1	3.3	2	6.6	3	9.8	4	13.1	5	16.4
15° Beam Diameter	0.4	1.3	0.64	2.1	0.85	2.8	1.05	3.4	1.32	4.3
25° Field Diameter	0.45	1.5	0.88	2.9	1.33	4.4	1.77	5.8	2.21	7.3
	lux	fc	lux	fc	lux	fc	lux	fc	lux	fc
RED LEDs	3,380	314	862	80	386	36	195	18	126	12
GREEN LEDs	5,360	498	1,392	129	632	59	334	31	221	21
BLUE LEDs	6,710	623	1,755	163	804	75	436	41	288	27
WHITE LEDs	5,830	542	1,535	143	704	65	375	35	247	23
AMBER LEDs	2,470	229	645	60	294	27	162	15	102	9
UV LEDs	1,177	109	308	29	138	13	78	7	49	5
FULL ON	22,250	2,067	5,600	520	2,500	232	1,360	126	930	86