

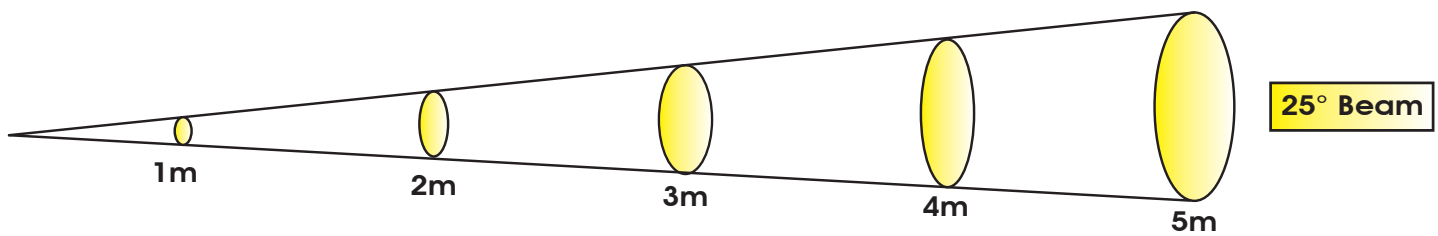
SIXBAR 1000 IP™

SKU# SIX098



Photometric Data

Specifications are subject to change without any prior written notice.



| | 1 m | 3.3 ft | 2 m | 6.6 ft | 3 m | 9.8 ft | 4 m | 13.1 ft | 5 m | 16.4 ft |
|-------------------|------------|-----------|------------|-----------|------------|-----------|------------|-----------|------------|-----------|
| 25° Beam Diameter | 0.45 | 1.5 | 0.88 | 2.9 | 1.33 | 4.4 | 1.77 | 5.8 | 2.21 | 7.3 |
| | lux | fc | lux | fc | lux | fc | lux | fc | lux | fc |
| RED LEDs | 1,253 | 116 | 542 | 50 | 283 | 26 | 172 | 16 | 119 | 11 |
| GREEN LEDs | 3,267 | 304 | 1,416 | 132 | 726 | 67 | 429 | 40 | 275 | 26 |
| BLUE LEDs | 469 | 44 | 211 | 20 | 108 | 10 | 65 | 6 | 45 | 4 |
| WHITE LEDs | 2,813 | 261 | 1,216 | 113 | 621 | 58 | 372 | 35 | 242 | 22 |
| AMBER LEDs | 1,286 | 119 | 532 | 49 | 271 | 25 | 153 | 14 | 101 | 9 |
| UV LEDs | 50 | 5 | 24 | 2 | 13 | 1 | 10 | 1 | 7 | 1 |
| FULL ON | 7,149 | 664 | 2,910 | 270 | 1,481 | 138 | 880 | 82 | 603 | 56 |

ELATION | SIXBAR 1000 IP™ | Photometric Data

Elation Professional USA | 6122 S. Eastern Ave. | Los Angeles, CA. 90040
 323-582-3322 | 323-832-9142 fax | www.elationlighting.com | info@elationlighting.com

Elation Professional B.V. | Junostraat 2 | 6468 EW Kerkrade, The Netherlands
 +31 45 546 85 66 | +31 45 546 85 96 fax | www.elationlighting.eu | info@elationlighting.eu

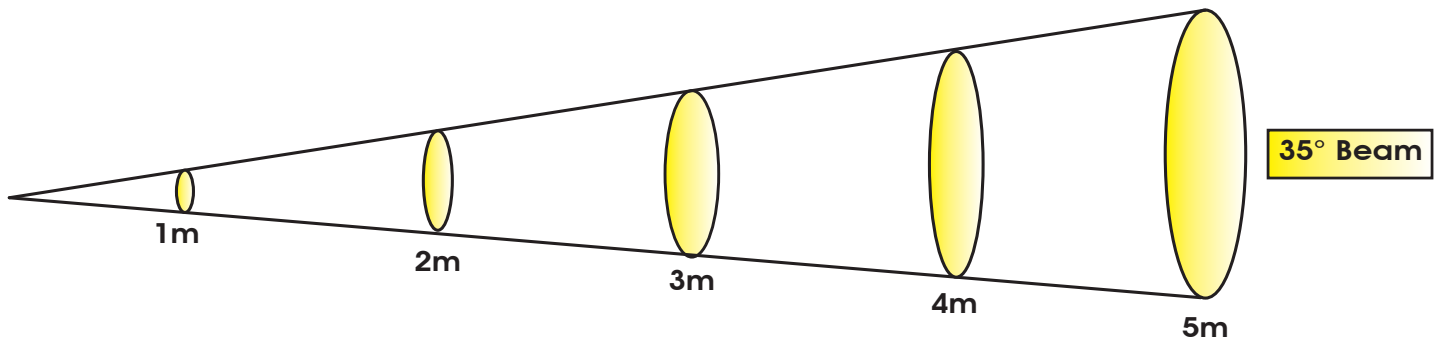
SIXBAR 1000 IP™

SKU# SIX098



Photometric Data - 35° Diffusion Lens Filter

Specifications are subject to change without any prior written notice.



DIFFUSION FILTER

| | 1 m | 3.3 ft | 2 m | 6.6 ft | 3 m | 9.8 ft | 4 m | 13.1 ft | 5 m | 16.4 ft |
|--------------------------|------------|-----------|------------|-----------|------------|-----------|------------|-----------|------------|-----------|
| 35° Beam Diameter | 0.63 | 2.1 | 1.27 | 4.2 | 1.9 | 6.2 | 2.52 | 8.3 | 3.16 | 10.4 |
| | lux | fc | lux | fc | lux | fc | lux | fc | lux | fc |
| RED LEDs | 1,157 | 107 | 503 | 47 | 260 | 24 | 161 | 15 | 109 | 10 |
| GREEN LEDs | 2,492 | 232 | 1,041 | 97 | 528 | 49 | 316 | 29 | 211 | 20 |
| BLUE LEDs | 477 | 44 | 202 | 19 | 103 | 10 | 65 | 6 | 45 | 4 |
| WHITE LEDs | 2,701 | 251 | 1,135 | 105 | 576 | 54 | 346 | 32 | 231 | 21 |
| AMBER LEDs | 1,199 | 111 | 510 | 47 | 259 | 24 | 155 | 14 | 104 | 10 |
| UV LEDs | 75 | 7 | 36 | 3 | 22 | 2 | 16 | 1 | 13 | 1 |
| FULL ON | 6,413 | 596 | 2,608 | 242 | 1,287 | 120 | 767 | 71 | 508 | 47 |

ELATION | SIXBAR 1000 IP™ | Photometric Data

Elation Professional USA | 6122 S. Eastern Ave. | Los Angeles, CA. 90040
 323-582-3322 | 323-832-9142 fax | www.elationlighting.com | info@elationlighting.com

Elation Professional B.V. | Junostraat 2 | 6468 EW Kerkrade, The Netherlands
 +31 45 546 85 66 | +31 45 546 85 96 fax | www.elationlighting.eu | info@elationlighting.eu

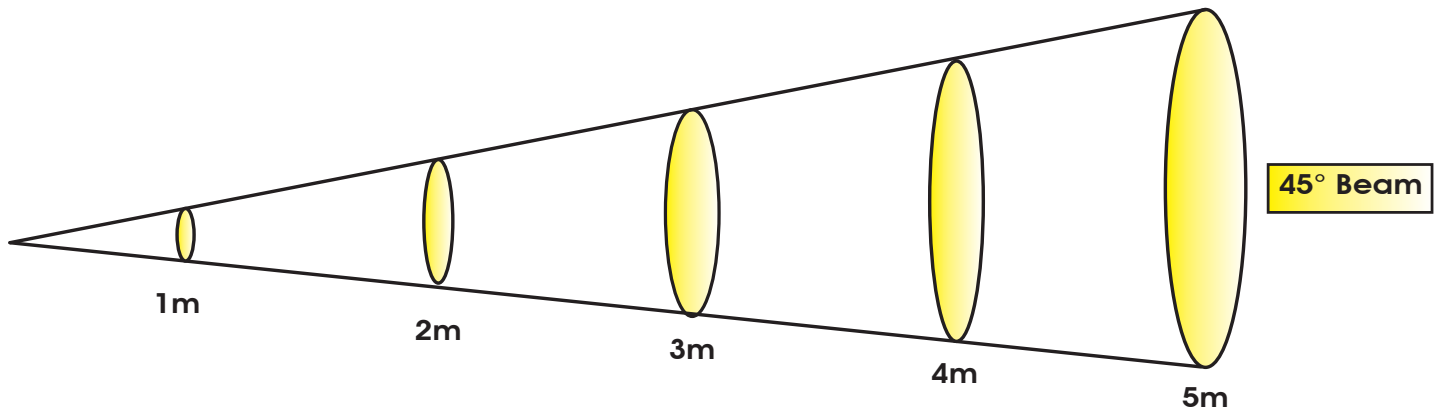
SIXBAR 1000 IP™

SKU# SIX098



Photometric Data - 45° Frost Lens Filter

Specifications are subject to change without any prior written notice.



FROST FILTER

| | 1 m | 3.3 ft | 2 m | 6.6 ft | 3 m | 9.8 ft | 4 m | 13.1 ft | 5 m | 16.4 ft |
|-------------------|------------|-----------|------------|-----------|------------|-----------|------------|-----------|------------|-----------|
| 45° Beam Diameter | 0.83 | 2.7 | 1.66 | 5.4 | 2.49 | 8.2 | 3.31 | 10.9 | 4.14 | 13.6 |
| | lux | fc | lux | fc | lux | fc | lux | fc | lux | fc |
| RED LEDs | 689 | 64 | 258 | 24 | 127 | 12 | 79 | 7 | 52 | 5 |
| GREEN LEDs | 2,015 | 187 | 722 | 67 | 358 | 33 | 222 | 21 | 147 | 14 |
| BLUE LEDs | 358 | 33 | 126 | 12 | 66 | 6 | 41 | 4 | 28 | 3 |
| WHITE LEDs | 1,809 | 168 | 631 | 59 | 313 | 29 | 196 | 18 | 129 | 12 |
| AMBER LEDs | 858 | 80 | 314 | 29 | 150 | 14 | 98 | 9 | 65 | 6 |
| UV LEDs | 47 | 4 | 21 | 2 | 12 | 1 | 8 | 1 | 7 | 1 |
| FULL ON | 4,377 | 407 | 1,563 | 145 | 760 | 71 | 465 | 43 | 307 | 29 |

ELATION | SIXBAR 1000 IP™ | Photometric Data

Elation Professional USA | 6122 S. Eastern Ave. | Los Angeles, CA. 90040
 323-582-3322 | 323-832-9142 fax | www.elationlighting.com | info@elationlighting.com

Elation Professional B.V. | Junostraat 2 | 6468 EW Kerkrade, The Netherlands
 +31 45 546 85 66 | +31 45 546 85 96 fax | www.elationlighting.eu | info@elationlighting.eu