

DMX CHANNEL FUNCTIONS AND VALUES

ELATION RAYZOR 360Z				
DMX Channel Values / Functions (32 DMX Channels)				
Supports Software Versions: \geq 2.0.1				
Features are subject to change without any prior written notice.				
*Rotation direction (Clockwise or Counterclockwise) of effects depends on orientation of the fixture head and Pan/Tilt settings.				
MODE / CHANNEL			VALUE	FUNCTION
BASIC	STAND	EXTEND		
1	1	1		PAN MOVEMENT [8 BIT]
			0-255	PAN Movement
	2	2		PAN FINE MOVEMENT [16 BIT]
			0-255	Fine Control of PAN Movement
2	3	3		TILT MOVEMENT [8 BIT]
			0-255	TILT Movement
	4	4		TILT MOVEMENT [16 BIT]
			0-255	Fine Control of TILT Movement
3	5	5		PAN CONTINUOUS MOVEMENT
			0-127	NO FUNCTION
			128-189	PAN Clockwise from FAST to SLOW
			190-193	NO Rotation
			194-255	PAN Counter-Clockwise from SLOW to FAST
4	6	6		TILT CONTINUOUS MOVEMENT
			0-127	NO FUNCTION
			128-189	TILT Clockwise from FAST to SLOW
			190-193	NO Rotation
			194-255	TILT Counter-Clockwise from SLOW to FAST
5	7			RED [ALL LEDs]
			0-255	Red (0-Black - 255-100%)
	8			RED FINE [ALL LEDs]
			0-255	Red FINE Adjustment
6	9			GREEN [ALL LEDs]
			0-255	Green (0-Black - 255-100%)
	10			GREEN FINE [ALL LEDs]
			0-255	Green FINE Adjustment
7	11			BLUE [ALL LEDs]
			0-255	Blue (0-Black - 255-100%)
	12			BLUE FINE [ALL LEDs]
			0-255	Blue FINE Adjustment
8	13			WHITE [ALL LEDs]
			0-255	White (0-Black - 255-100%)
	14			WHITE FINE [ALL LEDs]
			0-255	White FINE Adjustment

ELATION RAYZOR 360Z
DMX Channel Values / Functions (32 DMX Channels)

Supports Software Versions: ≥ 2.0.1

Features are subject to change without any prior written notice.

*Rotation direction (Clockwise or Counterclockwise) of effects depends on orientation of the fixture head and Pan/Tilt settings.

MODE / CHANNEL			VALUE	FUNCTION
BASIC	STAND	EXTEND		
		7		RED [LED 1]
			0-255	Red (0-Black - 255-100%)
		8		GREEN [LED 1]
			0-255	Green (0-Black - 255-100%)
		9		BLUE [LED 1]
			0-255	Blue (0-Black - 255-100%)
		10		WHITE [LED 1]
			0-255	White (0-Black - 255-100%)
		11		RED [LED 2]
			0-255	Red (0-Black - 255-100%)
		12		GREEN [LED 2]
			0-255	Green (0-Black - 255-100%)
		13		BLUE [LED 2]
			0-255	Blue (0-Black - 255-100%)
		14		WHITE [LED 2]
			0-255	White (0-Black - 255-100%)
		15		RED [LED 3]
			0-255	Red (0-Black - 255-100%)
		16		GREEN [LED 3]
			0-255	Green (0-Black - 255-100%)
		17		BLUE [LED 3]
			0-255	Blue (0-Black - 255-100%)
		18		WHITE [LED 3]
			0-255	White (0-Black - 255-100%)
9	15	19		COLOR MACROS
			0-7	NO FUNCTION
			8-39	From RED to YELLOW
			40-71	From YELLOW to GREEN
			72-103	From GREEN to CYAN
			104-135	From CYAN to BLUE
			136-167	From BLUE to MAGENA
			168-199	From MAGENTA to RED
			200-231	From RED to WHITE
232-255	Crossfading Colors from SLOW to FAST			
10	16	20		COLOR PRESETS
			0-9	NO FUNCTION
			10-50	WHITE 2700K
			51-91	WHITE 3200K
			92-132	WHITE 4300K
			133-173	WHITE 5600K
			174-214	WHITE 6500K
215-255	WHITE 8000K			
11	17	21		COLOR PRESETS DIMMER
			0-255	Dimmer 100 to 0%

ELATION RAYZOR 360Z
DMX Channel Values / Functions (32 DMX Channels)

Supports Software Versions: ≥ 2.0.1

Features are subject to change without any prior written notice.

*Rotation direction (Clockwise or Counterclockwise) of effects depends on orientation of the fixture head and Pan/Tilt settings.

MODE / CHANNEL			VALUE	FUNCTION
BASIC	STAND	EXTEND		
12	18	22		SHUTTER, STROBE
			0-31	Shutter CLOSED (LEDs OFF)
			32-63	Shutter OPEN (LEDs ON)
			64-95	Strobe Effect SLOW to FAST
			96-127	Shutter OPEN (LEDs ON)
			128-159	Pulse Effect In Sequences
			160-191	Shutter OPEN (LEDs ON)
			192-223	Random Strobe Effect SLOW to FAST
		224-255	Shutter OPEN (LEDs ON)	
13	19	23		DIMMER INTENSITY
			0-255	Dimmer 0 to 100%
		24		DIMMER INTENSITY FINE
			0-255	Dimmer FINE Adjustment
14	20	25		DIMMER MODES
			0-20	Standard
			21-40	Stage
			41-60	TV
			61-80	Architectural
			81-100	Theatre
		101-255	Default to Setting on Fixture	
15	21	26		MOTORIZED ZOOM
			0-255	ZOOM Adjustment from SMALL to BIG
		27		MOTORIZED ZOOM FINE
			0-255	ZOOM FINE Adjustment
16	22	28		CHASE PATTERNS
			0-10	NO FUNCTION (LEDs OFF)
			11-40	Chase 1
			41-70	Chase 2
			71-100	Chase 3
			101-130	Chase 4
			131-160	Chase 5
			161-190	Chase 6
			191-220	Chase 7
		221-255	Chase 8	
17	23	29		CHASE PATTERN SPEED
			0-255	*Counterclockwise Chase Speed FAST to SLOW
18	24	30		COLOR MODE - WHITE BALANCE
			0-189	NO FUNCTION
			190-254	EDIT a New WHITE BALANCE Setting
			255	SAVE New WHITE BALANCE Setting to Fixture(s)
			*NOTE: DMX VALUE of 91-93 MUST FIRST BE SELECTED ON CH20 (Basic), CH26 (Stand), or CH32 (Extend) TO ENABLE FEATURE.	
19	25	31		PAN / TILT MOVEMENT SPEED
			0-225	MAX to MIN Speed
			226-235	Blackout by Movement
		236-255	NO FUNCTION	

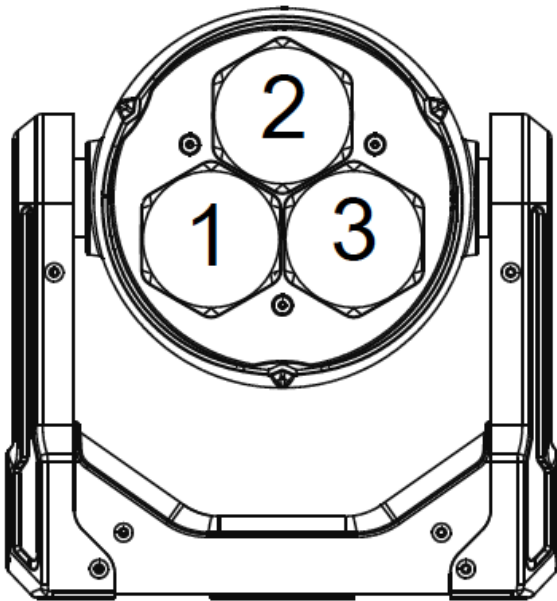
ELATION® RAYZOR 360Z™
DMX Channel Values / Functions (32 DMX Channels)

Supports Software Versions: ≥ 2.0.1

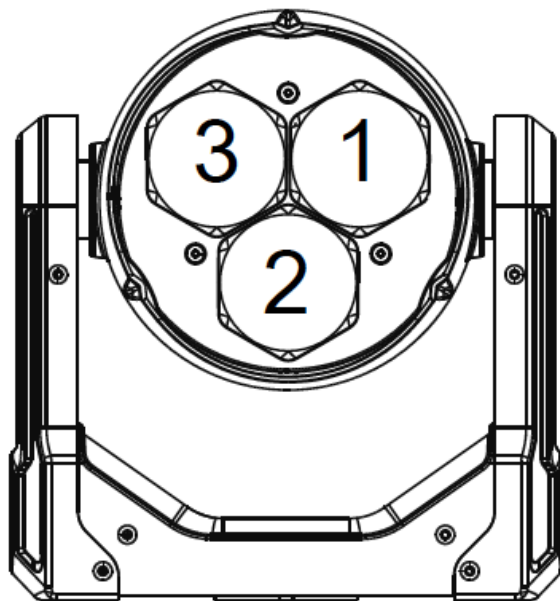
Features are subject to change without any prior written notice.
 *Rotation direction (Clockwise or Counterclockwise) of effects depends on orientation of the fixture head and Pan/Tilt settings.

MODE / CHANNEL			VALUE	FUNCTION
BASIC	STAND	EXTEND		
20	26	32		SPECIAL FUNCTIONS / INTERNAL PROGRAMS
			0-79	Color Change Normal
			80-84	ALL MOTOR RESET
			85-87	SCAN MOTOR RESET
			88-90	NO FUNCTION
			91-93	EDIT and SAVE WHITE BALANCE ENABLED
			94-96	NO FUNCTION
			97-99	OTHER MOTORS RESET
			100-119	Internal Program 1 (Scene 1-8)
			120-139	Internal Program 2 (Scene 9-16)
			140-159	Internal Program 3 (Scene 17-24)
			160-179	Internal Program 4 (Scene 25-32)
			180-199	Internal Program 5 (Scene 33-40)
			200-219	Internal Program 6 (Scene 41-48)
			220-239	Internal Program 7 (Scene 49-56)
			240-255	NO FUNCTION

LED PIXEL CONTROL



LCD CONTROL DISPLAY



LCD CONTROL DISPLAY



Pixel control depends on PAN/TILT position of head.