

PROTEUS HYBRID™

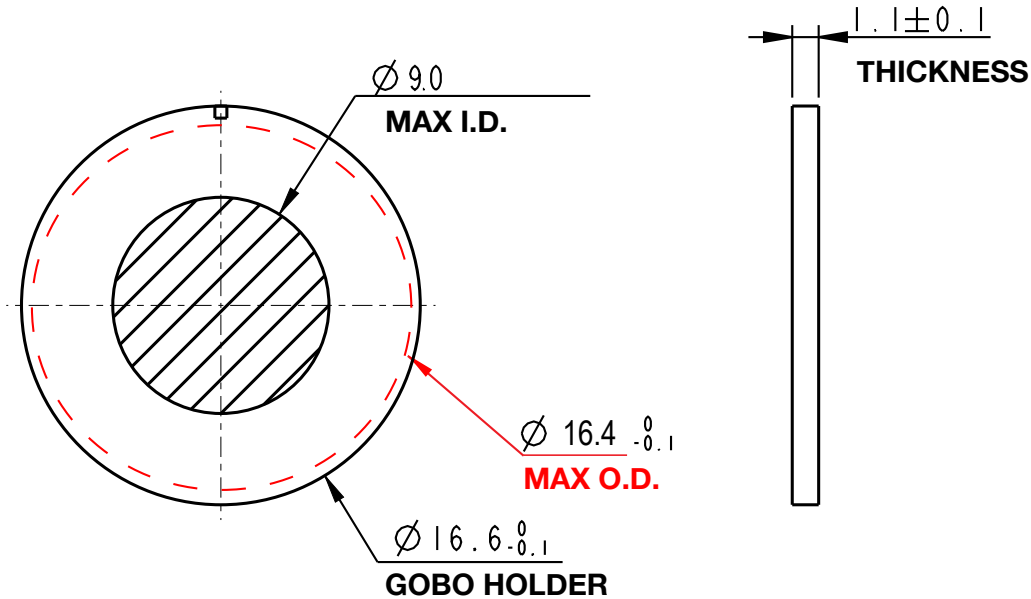
SKU# PRH021



Interchangeable-Rotating Gobos Specifications

Specifications/designs are subject to change without notice.

Gobo image not to scale - for illustration purposes only.



O.D. (Max. Outer Diameter)	$\phi 16.4$ mm
I.D. (Max. Image Diameter)	$\phi 9$ mm
Gobo Holder Diameter	$\phi 16.6$ mm
Thickness	1.1mm \pm 0.1mm
Material	BOROFLOAT GLASS

*** IMPORTANT NOTICE REGARDING CUSTOM GOBOS ***

Due to the extreme high temperature optical system which can reach up to 842°F (450°C), special BOROFLOAT glass material and design requirements are required. Due to varying gobo manufacturing processes and tolerances, it is highly recommended to provide a gobo sample from the fixture to the custom gobo vendor for accurate sizing.

Extended testing of custom gobo designs is highly recommended prior to using.

Please contact ELATION Customer Support for further information.

Elation Professional USA | 6122 S. Eastern Ave. | Los Angeles, CA. 90040
323-582-3322 | 323-832-9142 fax | www.elationlighting.com | info@elationlighting.com

Elation Professional B.V. | Junostraat 2 | 6468 EW Kerkrade, The Netherlands
+31 45 546 85 66 | +31 45 546 85 96 fax | www.elationlighting.eu | info@elationlighting.eu

PROTEUS HYBRID™

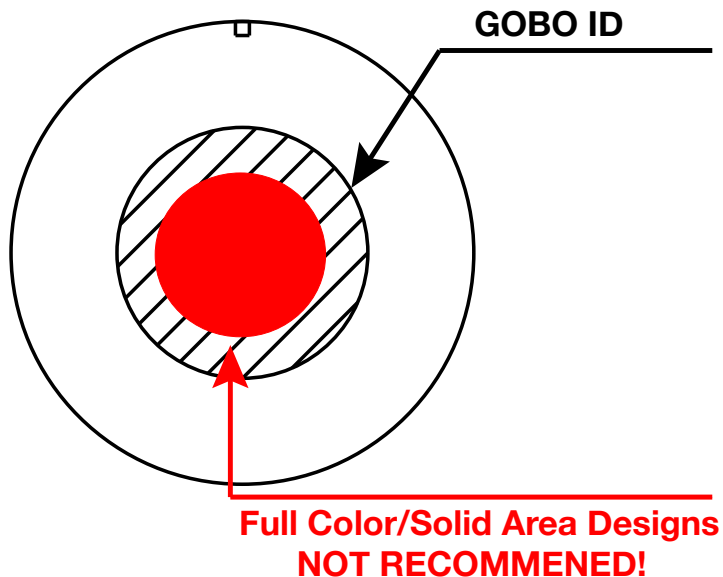
SKU# PRH021



Custom Rotating Gobos Guidelines

Specifications/designs are subject to change without notice.

Gobo image not to scale - for illustration purposes only.



*** * * IMPORTANT NOTICE REGARDING CUSTOM GOBO DESIGNS* * ***

Full Color / Solid Area custom gobo designs are NOT RECOMMENDED due to the extreme high temperature optical system which can reach up to 842°F (450°C).

Custom gobo designs as illustrated above can burn during extended use periods.

Please contact ELATION Customer Support for further information.

Elation Professional USA | 6122 S. Eastern Ave. | Los Angeles, CA. 90040
323-582-3322 | 323-832-9142 fax | www.elationlighting.com | info@elationlighting.com

Elation Professional B.V. | Junostraat 2 | 6468 EW Kerkrade, The Netherlands
+31 45 546 85 66 | +31 45 546 85 96 fax | www.elationlighting.eu | info@elationlighting.eu