



PIXEL BAR™

Pixel Bar 12 SKU# **PIX025**

Pixel Bar 20 SKU# **PIX037**

Pixel Bar 40 SKU# **PIX001**

The Pixel Bar™ series, is available in 12, 20, or 40

pixels lengths, all featuring 3-in-1 SMD LEDs producing

a 25mm pixel pitch, 120° beam angle, 16.7 million colors

with 8 bits per color, 850 NITs, 2000Hz refresh

rate, DC24V, (2) RJ45 CAT5e ports (input/output)

connections, flicker free operation for broadcast TV

and FILM, multiple unit linkable, extruded aluminum

housing, and integrated adjustable mounting brackets.



FEATURES

Pixel Bar 12™ (12) 3-in-1 SMD LEDs

Pixel Bar 20™ (20) 3-in-1 SMD LEDs

Pixel Bar 40™ (40) 3-in-1 SMD LEDs

25mm Pixel Pitch / 120° Beam Angle

16.7 Million Colors / 8 Bits Per Color

850 NITs / 2000Hz Refresh Rate

(2) RJ45 CAT5e Ports (Input/Output)

Multiple Unit Linkable / Extruded Aluminum Housing

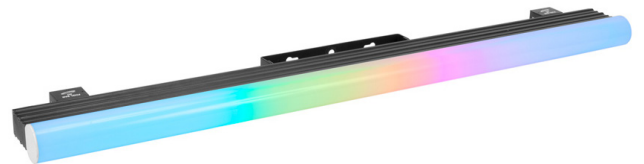
Integrated Adjustable Mounting Brackets

Flicker Free Operation for Broadcast TV and FILM

Optional Tube Lens Available



Rigging Bracket



Optional Tube Lens Available

Specifications are subject to change without notice ©Elation Professional 10/31/15

Elation Professional USA | 6122 S. Eastern Ave. | Los Angeles, CA. 90040
323-582-3322 | 323-832-9142 fax | www.elationlighting.com | info@elationlighting.com

Elation Professional B.V. | Junostraat 2 | 6468 EW Kerkrade, The Netherlands
+31 45 546 85 66 | +31 45 546 85 96 fax | www.elationlighting.eu | info@elationlighting.eu

PRODUCT SPECIFICATIONS

SOURCE

Pixel Bar 12™ (12) 3-in-1 SMD LEDs
Pixel Bar 20™ (20) 3-in-1 SMD LEDs
Pixel Bar 40™ (40) 3-in-1 SMD LEDs

COLOR

16.7 Million Colors / 8 Bits Per Color

CONTROL / CONNECTIONS

Pixel Bar 12™ - 36 DMX Channels
 Multiple Unit Linkable (52 per PIXEL NET 4™ device)
Pixel Bar 20™ - 60 DMX Channels
 Multiple Unit Linkable (32 units per PIXEL NET 4™ device)
Pixel Bar 40™ - 120 DMX Channels
 Multiple Unit Linkable (16 units per PIXEL NET 4™ device)
 RJ45 CAT5e Input / Output (All Models)

SIZE / WEIGHT

Pixel Bar 12™
 Length: 11.81" (300mm)
 Width: 1.5" (38.2mm)
 Vertical Height: 4.08" (103.6mm)
 Weight: 2.5 lbs. (1.12kg)

Pixel Bar 20™
 Length: 19.7" (500mm)
 Width: 1.5" (38.2mm)
 Vertical Height: 4.08" (103.6mm)
 Weight: 3.6 lbs. (1.63kg)

Pixel Bar 40™
 Length: 39.4" (1000mm)
 Width: 1.5" (38.2mm)
 Vertical Height: 4.08" (103.6mm)
 Weight: 5.5 lbs. (2.5kg)

ELECTRICAL / THERMAL

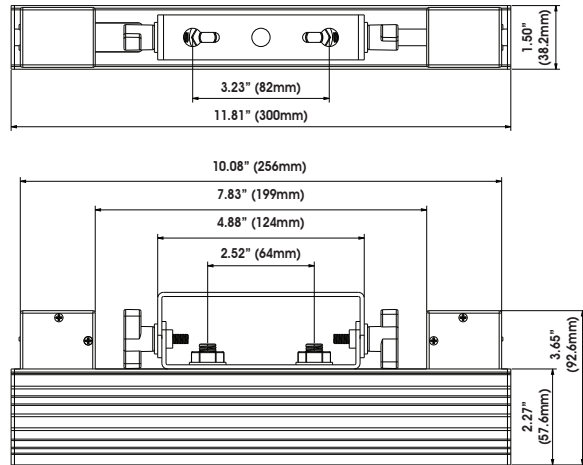
DC-24V
Pixel Bar 12™ 4.8W Max Power Consumption
Pixel Bar 20™ 8W Max Power Consumption
Pixel Bar 40™ 16W Max Power Consumption
 32°F to 104°F (0°C to 40°C)

APPROVALS / RATINGS

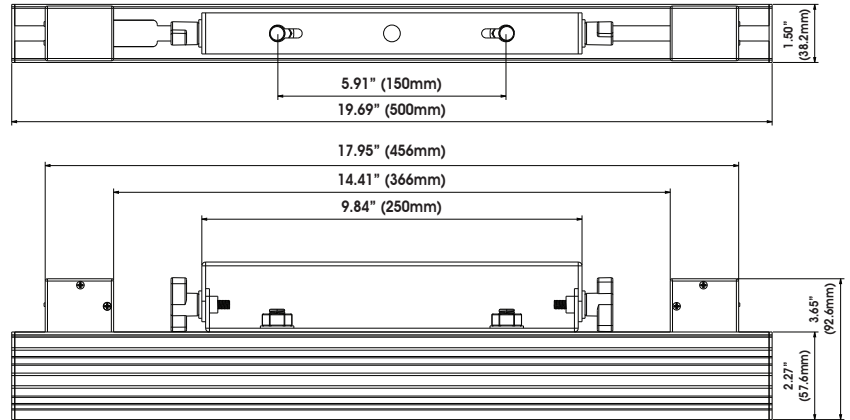


DIMENSIONAL DIAGRAMS

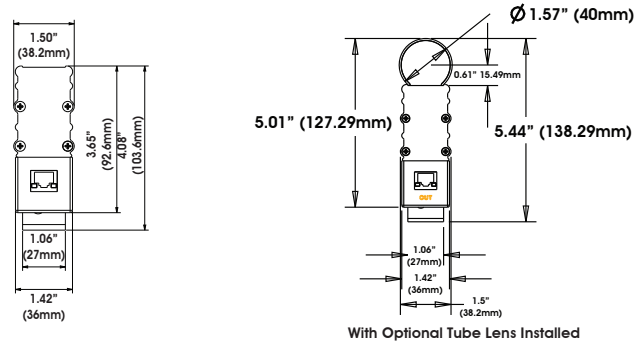
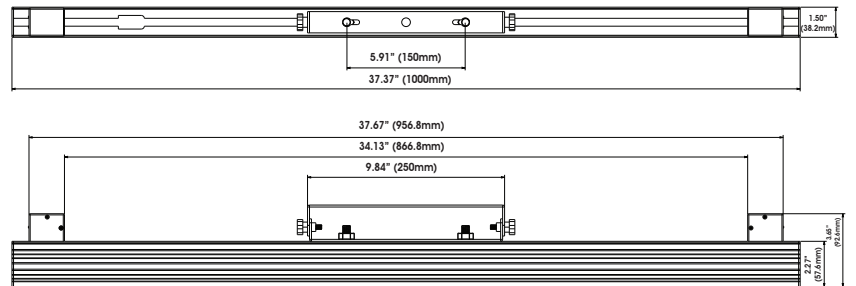
Pixel Bar 12™



Pixel Bar 20™



Pixel Bar 40™



OPTIONAL ACCESSORIES

ORDER CODE	ITEM
NARROW CLAMP	Pro Clamp with 2-inch Wrap-Around
PIX167	PIXEL BAR 12™ TUBE LENS
PIX155	PIXEL BAR 20™ TUBE LENS
PIX142	PIXEL BAR 40™ TUBE LENS
PIX013	Pixel Net 4™ ArtNet to DMX Driver

With Optional Tube Lens Installed

