



EZ KLING™

user manual

©2016 ELATION PROFESSIONAL all rights reserved. Information, specifications, diagrams, images, and instructions herein are subject to change without notice. ELATION PROFESSIONAL logo and identifying product names and numbers herein are trademarks of ELATION PROFESSIONAL. Copyright protection claimed includes all forms and matters of copyrightable materials and information now allowed by statutory or judicial law or hereinafter granted. Product names used in this document may be trademarks or registered trademarks of their respective companies and are hereby acknowledged. All non-ELATION brands and product names are trademarks or registered trademarks of their respective companies.

ELATION PROFESSIONAL and all affiliated companies hereby disclaim any and all liabilities for property, equipment, building, and electrical damages, injuries to any persons, and direct or indirect economic loss associated with the use or reliance of any information contained within this document, and/or as a result of the improper, unsafe, insufficient and negligent assembly, installation, rigging, and operation of this product.

Elation Professional USA | 6122 S. Eastern Ave. | Los Angeles, CA. 90040

323-582-3322 | 323-832-9142 fax | www.elationlighting.com | info@elationlighting.com

Elation Professional B.V. | Junostraat 2 | 6468 EW Kerkrade, The Netherlands

+31 45 546 85 66 | +31 45 546 85 96 fax | www.elationlighting.eu | info@elationlighting.eu

DOCUMENT VERSION

Please check www.elationlighting.com for the latest revision/update of this manual.

Date	Document Version	Software Version	Notes
7/2014	1	≥1.6	Initial release.
2/2015	2	≥1.7	Increased max number of pixel control when using KLINGNET and RGB LED lighting to 170 pixels.
5/27/16	3	≥2.2	Added sACN support and increased max number of pixel control using KLINGNET AND RGBA/RGBW QUAD LED Lighting to 128 pixels.
7/19/16	4	≥2.3	Added Art-Net 3 Unicast support and LCD display lockout feature, and changed ESTA CAN mode spelling to sACN.

CONTENTS

General Information	4
Warranty	6
Safety Information	7
Device Overview	8
Installation	9
System Menu	10
DMX Operation	11
Important Notes	12
Menu Function	13
Configuration Guide	21
Setup Guide	22
Technical Specifications	24
Optional Accessories	25

GENERAL INFORMATION

INTRODUCTION

Congratulations, you have just purchased one of the most innovative and reliable RJ45 to DMX, KlingNet™, Art-Net™, and sACN interface on the market today! The device has been designed to perform reliably for years when the guidelines in this booklet are followed. Please read and understand the instructions in this manual carefully and thoroughly before attempting to operate this unit. These instructions contain important information regarding safety during use and maintenance.

UNPACKING

Every device has been thoroughly tested and has been shipped in perfect operating condition. Carefully check the shipping carton for damage that may have occurred during shipping. If the carton appears to be damaged, carefully inspect your unit for damage and be sure all accessories necessary to operate the unit have arrived intact. In the event damage has been found or parts are missing, please contact our customer support team for further instructions. Please do not return this unit to your dealer without first contacting customer support at the number listed below. Please do not discard the shipping carton in the trash. Please recycle whenever possible.

BOX CONTENTS

- (1) 5V Power Supply
- (1) Flex Pixel Tape Jumper First Cable
- (1) Mounting Bracket & (2) Screws

CUSTOMER SUPPORT

Elation Professional® provides a customer support line, to provide set up help and to answer any question should you encounter problems during your set up or initial operation. You may also visit us on the web at www.elationlighting.com for any comments or suggestions. For service related issue please contact Elation Professional®.

ELATION SERVICE USA - Monday - Friday 8:00am to 5:00pm PST**Voice: 323-582-3322****Fax: 323-832-9142**E-mail: support@elationlighting.com**ELATION SERVICE EUROPE - Monday - Friday 08:30 to 17:00 CET****Voice: +31 45 546 85 30****Fax: +31 45 546 85 96**E-mail: support@elationlighting.eu**WARRANTY REGISTRATION**

Please complete and mail in the enclosed warranty card or register online: <http://www.elationlighting.com/Login.aspx> to validate your purchase. All returned service items whether under warranty or not, must be freight pre-paid and accompany a return authorization (R.A.) number. The R.A. number must be clearly written on the outside of the return package. A brief description of the problem as well as the R.A. number must also be written down on a piece of paper and included in the shipping container. If the unit is under warranty, you must provide a copy of your proof of purchase invoice. Items returned without a R.A. number clearly marked on the outside of the package will be refused and returned at customer's expense. You may obtain a R.A. number by contacting customer support.

IMPORTANT NOTICE!

There are no user serviceable parts inside this unit. Do not attempt any repairs yourself; doing so will void your manufactures warranty. Damages resulting from modifications to this fixture and/or the disregard of safety and general user instructions found in this user manual void the manufactures warranty and are not subject to any warranty claims and/or repairs.

LIMITED WARRANTY

A. Elation Professional® hereby warrants, to the original purchaser, Elation Professional® products to be free of manufacturing defects in material and workmanship for a period of two years (730 days), and Elation Professional® product rechargeable batteries to be free of manufacturing defects in material and workmanship for a period of six months (180 days), from the original date of purchase. This warranty excludes discharge lamps and all product accessories. This warranty shall be valid only if the product is purchased within the United States of America, including possessions and territories. It is the owner's responsibility to establish the date and place of purchase by acceptable evidence, at the time service is sought.

B. For warranty service, send the product only to the Elation Professional® factory. All shipping charges must be pre-paid. If the requested repairs or service (including parts replacement) are within the terms of this warranty, Elation Professional® will pay return shipping charges only to a designated point within the United States. If any product is sent, it must be shipped in its original package and packaging material. No accessories should be shipped with the product. If any accessories are shipped with the product, Elation Professional® shall have no liability what so ever for loss and/or or damage to any such accessories, nor for the safe return thereof.

C. This warranty is void if the product serial number and/or labels are altered or removed; if the product is modified in any manner which Elation Professional® concludes, after inspection, affects the reliability of the product; if the product has been repaired or serviced by anyone other than the Elation Professional® factory unless prior written authorization was issued to purchaser by Elation Professional®; if the product is damaged because not properly maintained as set forth in the product instructions, guidelines and/or user manual.

D. This is not a service contract, and this warranty does not include any maintenance, cleaning or periodic check-up. During the periods as specified above, Elation Professional® will replace defective parts at its expense, and will absorb all expenses for warranty service and repair labor by reason of defects in material or workmanship. The sole responsibility of Elation Professional® under this warranty shall be limited to the repair of the product, or replacement thereof, including parts, at the sole discretion of Elation Professional®. All products covered by this warranty were manufactured after January 1, 1990, and bare identifying marks to that effect.

E. Elation Professional® reserves the right to make changes in design and/or performance improvements upon its products without any obligation to include these changes in any products theretofore manufactured.

F. No warranty, whether expressed or implied, is given or made with respect to any accessory supplied with the products described above. Except to the extent prohibited by applicable law, all implied warranties made by Elation Professional® in connection with this product, including warranties of merchantability or fitness, are limited in duration to the warranty periods set forth above. And no warranties, whether expressed or implied, including warranties of merchantability or fitness, shall apply to this product after said periods have expired. The consumer's and/or dealer's sole remedy shall be such repair or replacement as is expressly provided above; and under no circumstances shall Elation Professional® be liable for any loss and/or damage, direct and/or consequential, arising out of the use of, and/or the inability to use, this product.

G. This warranty is the only written warranty applicable to Elation Professional® products and supersedes all prior warranties and written descriptions of warranty terms and conditions heretofore published.

SAFETY INFORMATION



This device is an extremely sophisticated piece of electronic equipment. To guarantee a smooth operation, it is important to follow the guidelines in this manual. The manufacturer of this device will not accept responsibility for damages resulting from the misuse of this device due to the disregard of the information printed in this manual.



This device falls under **PROTECTION CLASS 1**. It's essential this device be grounded properly. Only qualified personnel should perform all electrical connections.

DO NOT PLUG DEVICE INTO A DIMMER PACK!

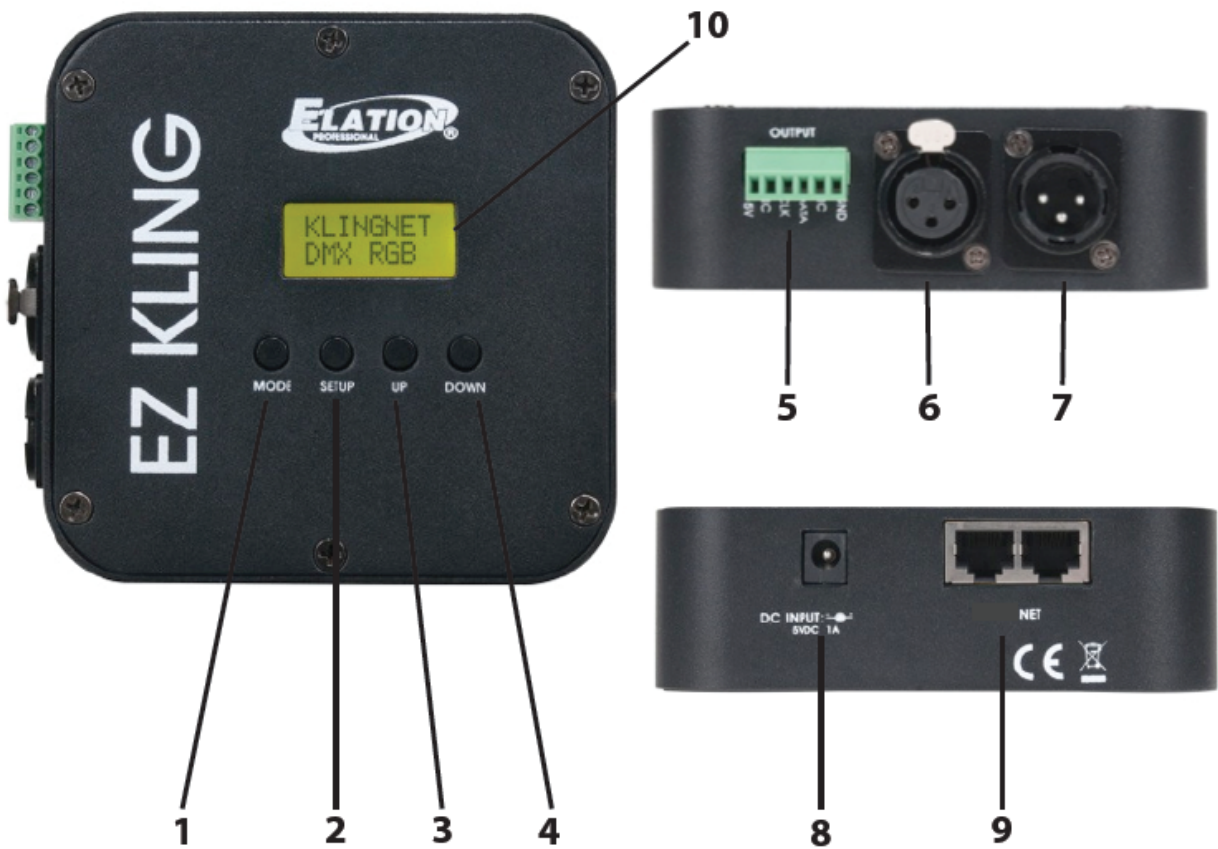


I N D O O R S U S E O N L Y !

DO NOT EXPOSE DEVICE TO RAIN AND MOISTURE!

- **N E V E R O P E N T H I S D E V I C E !**
- For proper operation, follow the **Installation** guidelines described in this manual. Only qualified and certified personnel should perform installation of this device. Any modifications will void the original manufactures warranty and increase the risk of damage and/or personal injury.
- **DO NOT** operate this device if the power supply and/or cord has become frayed, crimped and/or damaged. If the power supply and/or cord is damaged, replace it immediately with a new one of similar power rating.
- **DO NOT** operate device in locations **above 113°F (45°C) or below 14° F (-10° C)**.
- **DO NOT** attempt installation and/or operation without knowledge how to do so.
- **DO NOT** shake fixture, avoid brute force when installing and/or operating device.
- This device is designed for **INDOOR / DRY LOCATIONS ONLY** on stage, in nightclubs, theatres, etc.
- Please make sure there are **NO FLAMMABLE MATERIALS** close to the device while operating, to prevent any fire hazard.
- When installing this device in a suspended environment, always use an appropriate safety cable.
- Use the original packaging and materials to transport the fixture in for service.

DEVICE OVERVIEW



1. **MODE Button**
2. **SETUP Button**
3. **UP Button**
4. **DOWN Button**
5. **Bare Wire Terminal Block**
6. **3pin DMX Output**
7. **3pin DMX Input**
8. **Power Input**
9. **RJ45 Network IN/OUT**
10. **LCD Menu Display**

INSTALLATION



FLAMMABLE MATERIAL WARNING

Keep fixture at least 5.0 feet (1.5m) away from any flammable materials, decorations, pyrotechnics, etc.



ELECTRICAL CONNECTIONS

A qualified electrician should be used for all electrical connections and/or installations.

CAUTIONS

- For added protection, mount the device in areas outside walking paths, seating areas, or in areas where unauthorized personnel might reach the fixture.
- Before mounting the device to any surface, make sure the installation area can hold a minimum point load of 10 times the weight of the fixture.
- Device installation must always be secured with a secondary safety attachment, such as an appropriate safety cable.
- Never stand directly below the device when mounting, removing or servicing.
- The applicable operating temperature for the device is between **14°F to 113°F (-10°C - 45°C)**. Do not use the device under or above this temperature range.

INSTALLATION VIA MAGNET ON BACK PANEL OR INCLUDED MOUNTING BRACKET




(Clamp shown not included)

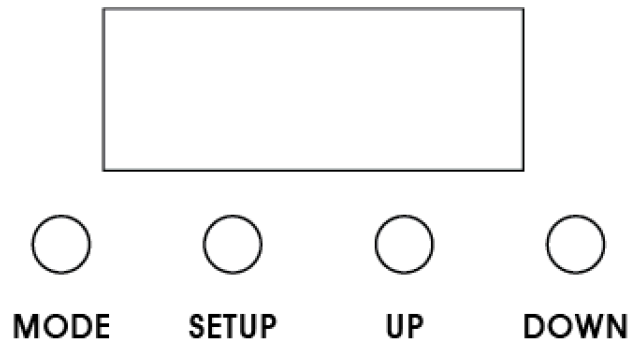
SYSTEM MENU

The device has an easy to navigate system menu. The next section will detail the functions of each command in the system menu.

LCD MENU CONTROL PANEL

The control panel (see image below) located on the front of the device allows you to access the main menu and make all necessary adjustments to the device. During normal operation, pressing the **MODE** button will scroll through the different menus. Once the desired menu has been selected, press the **SETUP** button to activate the menu item and sub-menus. Once you reach a field that requires adjusting, press the **UP** and **DOWN** buttons to adjust the field. You may exit a menu at any time without making any adjustments by pressing the **MODE** button.

 **NOTE:** The LCD Menu Control Display will lockout after 30 seconds of no use. Press and hold the **MODE** button for 3 seconds to unlock the LCD display.



DMX OPERATION

When controlling **RGB 3in1 LED lighting**, the lighting must be set to DMX mode and must include a separate dimmer control for each color (RED, GREEN, BLUE).

When controlling **RGBA/RGBW Quad LED lighting**, the lighting must be set to DMX mode and must include a separate dimmer control for each color (RED, GREEN, BLUE, AMBER, and/or RED, GREEN, BLUE, WHITE).

The total number of DMX channels will depend on how many individual pixels the LED lighting has.

EXAMPLE 1

If an **RGB 3in1 LED** light fixture has (6) pixels, it must be set to 18 DMX Channel Mode and the DMX protocol be set to the following:

DMX Channel	DMX Value	Function
1	000-255	RED (0% - 100%)
2	000-255	GREEN (0% - 100%)
3	000-255	BLUE (0% - 100%)
↓	↓	↓
16	000-255	RED (0% - 100%)
17	000-255	GREEN (0% - 100%)
18	000-255	BLUE (0% - 100%)

EXAMPLE 2

If an **RGBA/RGBW 4in1 LED** light fixture has 6 pixels, it must be set to 24 DMX Channel Mode and the DMX protocol be set to the following:

DMX Channel	DMX Value	Function
1	000-255	RED (0% - 100%)
2	000-255	GREEN (0% - 100%)
3	000-255	BLUE (0% - 100%)
4	000-255	AMBER/WHITE (0% - 100%)
↓	↓	↓
21	000-255	RED (0% - 100%)
22	000-255	GREEN (0% - 100%)
23	000-255	BLUE (0% - 100%)
24	000-255	AMBER/WHITE (0% - 100%)

DMX ADDRESSING

The DMX address of the first LED lighting device connected to **EZ KLING™** must be set to 1 and the DMX addresses of additional LED lighting devices will depend on how many DMX channels each device occupies. For example, if the LED lighting devices all occupy 20 DMX channels each, the first device would be addressed as 1, the second device as 21, the third device as 41, and so on.

IMPORTANT NOTES

EZ KLING™ can control **LED Tape**, **RGB Tri-Color LED Lighting** and **RGBA/RGBW Quad LED Lighting**.

Be sure **EZ KLING™** has been set to the proper mode to control the desired type of LED Tape and or Lighting.

When Connecting EZ KLING™ To	Maximum Pixel Control Per Each EZ KLING™
DMX Controller + LED Tape	170 Pixels
Computer + KLINGNET™ + LED Tape	600 Pixels
Computer + KLINGNET™ + RGB Tri-Color LED Lighting	170 Pixels
Computer + KLINGNET™ + RGBA/RGBW Quad LED Lighting	128 Pixels
Computer + ART-NET™ + LED Tape	170 Pixels
Computer + ART-NET™ + RGB Tri-Color LED Lighting	170 Pixels
Computer + ART-NET™ + RGBA/RGBW Quad LED Lighting	128 Pixels
Computer + sACN + LED Tape	170 Pixels
Computer + sACN + RGB Tri-Color LED Lighting	170 Pixels
Computer + sACN + RGBA/RGBW Quad LED Lighting	128 Pixels

- When connecting to a computer to control LED Lighting, the LED type of LED lighting controlled by the same **EZ KLING™** unit must be the same.
- **DO NOT** directly daisy chain more than **(32) EZ KLING™** units together.
- When connecting **EZ KLING™** to a network switch to control multiple devices, a **Gigabit Ethernet Switch** that supports **IGMP (Internet Group Management Protocol)** is required. Using a **Gigabit Ethernet Switch** that does not support **IGMP** can cause erratic behavior of all connected devices to the switch.

Click link below for more information about IGMP.

https://en.wikipedia.org/wiki/Internet_Group_Management_Protocol

MENU FUNCTION [software version ≥2.2]

EZ KLING™ has (5) operation modes: KLINGNET, ARTNET, **ESTA ACN**, OPTION, and LED TAPE, which can be selected by pressing the **MODE** button.

ELATION© EZ KLING™ SYSTEM MENU

Supports Software Version ≥2.2

Features are subject to change without any prior written notice.

MODE BUTTON	SETUP BUTTON	UP/DOWN (OPTIONS) BUTTONS (Default in BOLD)		DESCRIPTION
KLINGNET	DMX RGB	RGB, RGBW, or RGBA		Control RGB LED Lighting using KLINGNET
		H: 000	000 - xxx (008)	Set Pixel Height number to control
		W: 000	000 - xxx (008)	Set Pixel Width number to control
	RGB TAPE			Control LED Tape using KLINGNET
		H: 000	000 - xxx (072)	Set Pixel Height number to control
		W: 000	000 - xxx (008)	Set Pixel Width number to control
ARTNET	OUT:TAPE			Control LED Tape using Art-Net 2
		IP0:	000 - 255 (010)	Set IP Address Section 0
		IP1:	000 - 255 (073)	Set IP Address Section 1
		IP2:	000 - 255 (068)	Set IP Address Section 2
		IP3:	000 - 255 (087)	Set IP Address Section 3
		SW0:	000 - 255 (255)	Set Subnet Mask Section 0
		SW1:	000 - 255 (255)	Set Subnet Mask Section 1
		SW2:	000 - 255 (000)	Set Subnet Mask Section 2
		SW3:	000 - 255 (000)	Set Subnet Mask Section 3
	U:	0000 - 32768 (00001)	Set output DMX Universe	
	OUT: DMX			Control LED Lighting using Art-Net 2
		IP0:	000 - 255 (010)	Set IP Address Section 0
		IP1:	000 - 255 (073)	Set IP Address Section 1
		IP2:	000 - 255 (068)	Set IP Address Section 2
		IP3:	000 - 255 (087)	Set IP Address Section 3
		SW0:	000 - 255 (255)	Set Subnet Mask Section 0
		SW1:	000 - 255 (255)	Set Subnet Mask Section 1
		SW2:	000 - 255 (000)	Set Subnet Mask Section 2
SW3:		000 - 255 (000)	Set Subnet Mask Section 3	
U:	0000 - 32768 (00001)	Set output DMX Universe		
ESTA CAN	DMX	U:	0000 - 63999 (00001)	Control RGB LED Lighting using sACN
				Set output DMX Universe
	TAPE	U:	0000 - 63999 (00001)	Control LED Tape using sACN
				Set output DMX Universe
OPTION	BLGT:	OFF, ON		LCD Backlight Control (OFF = Off after 20 secs)
	BRCO:	000 - 100		LCD Backlight Brightness (100= Full Brightness)
	SYSRESET	Press UP and DOWN buttons together to reset		Initialize unit back to factory default settings
LED TAPE	0000	0000 - xxxx (0170)		Set number of Tape Pixels to control

MENU FUNCTION [software version ≥2.3]

EZ KLING™ has (6) operation modes: KLINGNET, ARTNET_M, sACN, OPTION, ARTNET_U and LED TAPE, which can be selected by pressing the **MODE** button.

ELATION© EZ KLING™ SYSTEM MENU

Supports Software Version ≥2.3

Features are subject to change without any prior written notice.

MODE BUTTON	SETUP BUTTON	UP/DOWN (OPTIONS) BUTTONS (Default in BOLD)		DESCRIPTION
KLINGNET	DMX RGB	RGB, RGBW, or RGBA		Control RGB LED Lighting using KLINGNET
		H: 000	000 - xxx (008)	Set Pixel Height number to control
		W: 000	000 - xxx (008)	Set Pixel Width number to control
	RGB TAPE			Control LED Tape using KLINGNET
		H: 000	000 - xxx (072)	Set Pixel Height number to control
		W: 000	000 - xxx (008)	Set Pixel Width number to control
ARTNET_M	OUT: TAPE			Control LED Tape using Art-Net 3 Multicast
		IP0:	000 - 255 (010)	Set IP Address Section 0
		IP1:	000 - 255 (073)	Set IP Address Section 1
		IP2:	000 - 255 (068)	Set IP Address Section 2
		IP3:	000 - 255 (087)	Set IP Address Section 3
		SW0:	000 - 255 (255)	Set Subnet Mask Section 0
		SW1:	000 - 255 (255)	Set Subnet Mask Section 1
		SW2:	000 - 255 (000)	Set Subnet Mask Section 2
	SW3:	000 - 255 (000)	Set Subnet Mask Section 3	
	U:	0000 - 32768 (00001)	Set output DMX Universe	
	OUT: DMX			Control LED Lighting using Art-Net 3 Multicast
		IP0:	000 - 255 (010)	Set IP Address Section 0
		IP1:	000 - 255 (073)	Set IP Address Section 1
		IP2:	000 - 255 (068)	Set IP Address Section 2
		IP3:	000 - 255 (087)	Set IP Address Section 3
SW0:		000 - 255 (255)	Set Subnet Mask Section 0	
SW1:		000 - 255 (255)	Set Subnet Mask Section 1	
SW2:		000 - 255 (000)	Set Subnet Mask Section 2	
SW3:	000 - 255 (000)	Set Subnet Mask Section 3		
U:	0000 - 32768 (00001)	Set output DMX Universe		
sACN	DMX	U:	0000 - 63999 (00001)	Control RGB LED Lighting using sACN
				Set output DMX Universe
	TAPE	U:	0000 - 63999 (00001)	Control LED Tape using sACN
				Set output DMX Universe

**ELATION© EZ KLING™
SYSTEM MENU**

Supports Software Version ≥2.3

Features are subject to change without any prior written notice.

MODE BUTTON	SETUP BUTTON	UP/DOWN (OPTIONS) BUTTONS (Default in BOLD)	DESCRIPTION	
OPTION	BLGT:	OFF , ON	LCD Backlight Control (OFF = Off after 20 secs)	
	BRCO:	000 - 100	LCD Backlight Brightness (100= Full Brightness)	
	SYSRESET	Press UP and DOWN buttons together to reset	Initialize unit back to factory default settings	
ARTNET_U	OUT:TAPE		Control LED Tape using ART-NET 3 Unicast	
		IP0:	000 - 255 (010)	Set IP Address Section 0
		IP1:	000 - 255 (073)	Set IP Address Section 1
		IP2:	000 - 255 (068)	Set IP Address Section 2
		IP3:	000 - 255 (087)	Set IP Address Section 3
		SW0:	000 - 255 (255)	Set Subnet Mask Section 0
		SW1:	000 - 255 (255)	Set Subnet Mask Section 1
		SW2:	000 - 255 (000)	Set Subnet Mask Section 2
		SW3:	000 - 255 (000)	Set Subnet Mask Section 3
	U:	0000 - 32768 (00001)	Set output DMX Universe	
	OUT: DMX			Control LED Lighting using ART-NET 3 Unicast
		IP0:	000 - 255 (010)	Set IP Address Section 0
		IP1:	000 - 255 (073)	Set IP Address Section 1
		IP2:	000 - 255 (068)	Set IP Address Section 2
		IP3:	000 - 255 (087)	Set IP Address Section 3
		SW0:	000 - 255 (255)	Set Subnet Mask Section 0
		SW1:	000 - 255 (255)	Set Subnet Mask Section 1
		SW2:	000 - 255 (000)	Set Subnet Mask Section 2
SW3:		000 - 255 (000)	Set Subnet Mask Section 3	
U:	0000 - 32768 (00001)	Set output DMX Universe		
LED TAPE	0000	0000 - xxxx (0170)	Set number of Tape Pixels to control	

KLINGNET MODE

DMX RGB | LED Color Set | Pixel Height and Width Set


Press the **MODE** button to select "**KLINGNET**" and the LCD display will show "**DMX RGB**" with "**DMX**" flashing. To change this menu item press the **SET UP** button and "**RGB**" will start to flash, then press the **UP** or **DOWN** buttons to select the desired LED Color Set ("**DMX RGB**", "**DMX RGBW**", or "**DMX RGBA**"), then press **SET UP** button.

The LCD display will now show "**H: xxx**", press the **UP** or **DOWN** buttons to enter the desired **Pixel Height** number **EZ KLING™** needs to control, then press the **SET UP** button. The LCD display will now show "**W: xxx**", press the **UP** or **DOWN** buttons to enter the desired **Pixel Width** number **EZ KLING™** needs to control, then press the **MODE** button.

RGB TAPE | LED Color Set | Pixel Height and Width Set

Press the **MODE** button to select "**KLINGNET**" and the LCD display will show "**DMX RGB**" with "**DMX**" flashing. To change this menu item press the **UP** or **DOWN** buttons to select "**RGB TAPE**", and the LCD display will show "**RGB TAPE**" with "**TAPE**" flashing, then press the **SET UP** button.

The LCD display will now show "**H: xxx**", press the **UP** or **DOWN** buttons to enter the desired **Pixel Height** number **EZ KLING™** needs to control, then press the **SET UP** button. The LCD display will now show "**W: xxx**", press the **UP** or **DOWN** buttons to enter the desired **Pixel Width** number **EZ KLING™** needs to control, then press the **MODE** button to confirm and exit.

 **NOTE:** The **Pixel Height** number multiplied by the **Pixel Width** number can **NOT** be greater than **600 pixels** when controlling LED Tape, or **NOT** greater than **170 pixels** when controlling RGB Tri-Color LED Lighting, and **NOT** greater than **128 pixels** when controlling RGBW/RGBA LED Lighting.

ARTNET_M MODE (Art-Net 3 Multicast)


IP Address Set, Sub Net Mask Set, and DMX Universe Output Set

Press the **MODE** button to select "**ARTNET_M**". The LCD display will show "**OUT:TAPE**" or "**OUT:DMX**". Select one of these two menu items by pressing the **UP** or **DOWN** buttons.

Press the **SET UP** button to select **IP Address Set**. The LCD display will show "**ARTNET IP0: xxx**" then press the **UP** or **DOWN** buttons to enter the desired 3-digit IP Address of Section 1, then press the **SET UP** button to select "**ARTNET IP1: xxx**" and press the **UP** or **DOWN** buttons to enter the desired 3-digit IP Address of Section 2, then press the **SET UP** button to select "**ARTNET IP2: xxx**" and press the **UP** or **DOWN** buttons to enter the desired 3-digit IP Address of Section 3, then press the **SET UP** button to select "**ARTNET IP3: xxx**" and press the **UP** or **DOWN** buttons to enter the desired 3-digit IP Address of Section 4.

Once the complete desired **IP Address Set** has been entered, continue by pressing the **SET UP** button and the LCD display will show "**SW0: xxx**", then press the **UP** or **DOWN** buttons to enter the desired 3-digit Subnet Mask of Section 1, then press the **SET UP** button to select "**SW1: xxx**" and press the **UP** or **DOWN** buttons to enter the desired 3-digit Subnet Mask of Section 2, then press the **SET UP** button to select "**SW2: xxx**" and press the **UP** and **DOWN** buttons to enter the desired the 3-digit Subnet Mask of Section 3, then press the **SET UP** button to select "**SW3: xxx**" and press the **UP** or **DOWN** buttons to enter the desired 3-digit Subnet Mask of section 4.

Once the complete desired **Sub Net Mask** has been entered, continue by pressing the **SET UP** button and the LCD display will show "**U: xxxxx**", then press the **UP** or **DOWN** buttons to enter the desired universe address "**U: 00001-32768**" and press the **MODE** button to confirm and exit.

 **NOTE:** All changes made to the **ARTNET_M** mode are automatically also made to the **ARTNET_U** mode. The same applies to all changes made to the **ARTNET_U** mode; these are also automatically made to the **ARTNET_M** mode.

For more information about Art-Net, click on the link below.

<http://art-net.org.uk/>

sACN MODE (ESTA CAN MODE in software version 2.2)

Press the **MODE** button to select "sACN". The LCD display will show "DMX" or "TAPE" Select one of these two menu items by pressing the **UP** or **DOWN** buttons. After choosing "DMX" or "TAPE", select the desired universe address "U: 00001-63999" and press the **MODE** button to confirm and exit.

For more information about sACN, click on the link below.

http://artisticlicenceintegration.com/?page_id=2600

OPTION MODE

BLGT: LCD Backlight ON/OFF

Press **MODE** button to select "OPTION". Select the desired function of the LCD Backlight, "BLGT:ON" (LCD Backlight will remain ON in any situation) or "BLGT:OFF" (LCD Backlight will automatically turn OFF after 20 seconds of no operation). Select one of these two menu items by pressing the **UP** or **DOWN** buttons.

BRCO: LCD Backlight Brightness

Press **MODE** button to select "OPTION", then press **SET UP** button to select "BRCO: xxx". Adjust LCD Backlight Brightness level by pressing **UP** or **DOWN** buttons to adjust the value from (000) not bright to (100) very bright.

System Reset

Press **MODE** button to select "OPTION", then press **SET UP** button to select "SYSRESET", which will start to flash. While "SYSRESET" is still flashing, press **UP** and **DOWN** buttons at the same time and all the settings will be reset back to factory defaults.



CAUTION - DOING WILL ERASE ALL PREVIOUSLY SAVED SETTINGS!

ARTNET_U MODE (Art-Net 3 Unicast)


IP Address Set, Sub Net Mask Set, and DMX Universe Output Set

Press the **MODE** button to select "ARTNET_U". The LCD display will show "OUT:TAPE" or "OUT:DMX". Select one of these two menu items by pressing the **UP** or **DOWN** buttons.

Press the **SET UP** button to select **IP Address Set**. The LCD display will show "ARTNET IP0: xxx" then press the **UP** or **DOWN** buttons to enter the desired 3-digit IP Address of Section 1, then press the **SET UP** button to select "ARTNET IP1: xxx" and press the **UP** or **DOWN** buttons to enter the desired 3-digit IP Address of Section 2, then press the **SET UP** button to select "ARTNET IP2: xxx" and press the **UP** or **DOWN** buttons to enter the desired 3-digit IP Address of Section 3, then press the **SET UP** button to select "ARTNET IP3: xxx" and press the **UP** or **DOWN** buttons to enter the desired 3-digit IP Address of Section 4.

Once the complete desired **IP Address Set** has been entered, continue by pressing the **SET UP** button and the LCD display will show "SW0: xxx", then press the **UP** or **DOWN** buttons to enter the desired 3-digit Subnet Mask of Section 1, then press the **SET UP** button to select "SW1: xxx" and press the **UP** or **DOWN** buttons to enter the desired 3-digit Subnet Mask of Section 2, then press the **SET UP** button to select "SW2: xxx" and press the **UP** and **DOWN** buttons to enter the desired the 3-digit Subnet Mask of Section 3, then press the **SET UP** button to select "SW3: xxx" and press the **UP** or **DOWN** buttons to enter the desired 3-digit Subnet Mask of section 4.

Once the complete desired **Sub Net Mask** has been entered, continue by pressing the **SET UP** button and the LCD display will show "U: xxxxx", then press the **UP** or **DOWN** buttons to enter the desired universe address "U: 00001-32768" and press the **MODE** button to confirm and exit.

 **NOTE:** All changes made to the **ARTNET_U** mode are automatically also made to the **ARTNET_M** mode. The same applies to all changes made to the **ARTNET_M** mode; these are also automatically made to the **ARTNET_U** mode.

For more information about Art-Net, click on the link below.

<http://art-net.org.uk/>

LED TAPE MODE

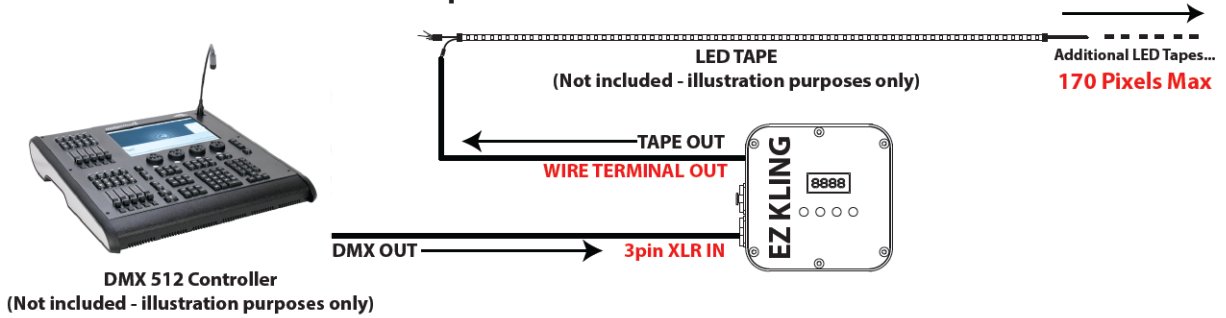
Press the **MODE** button to select "**LED TAPE**". The LCD display will show "**LED TAPE**", then press **UP** or **DOWN** buttons to select the total number of pixels (**1-170**) the DMX controller needs to control.

NOTE: Each **EZ KLING™** can control a maximum of **170 pixels**.

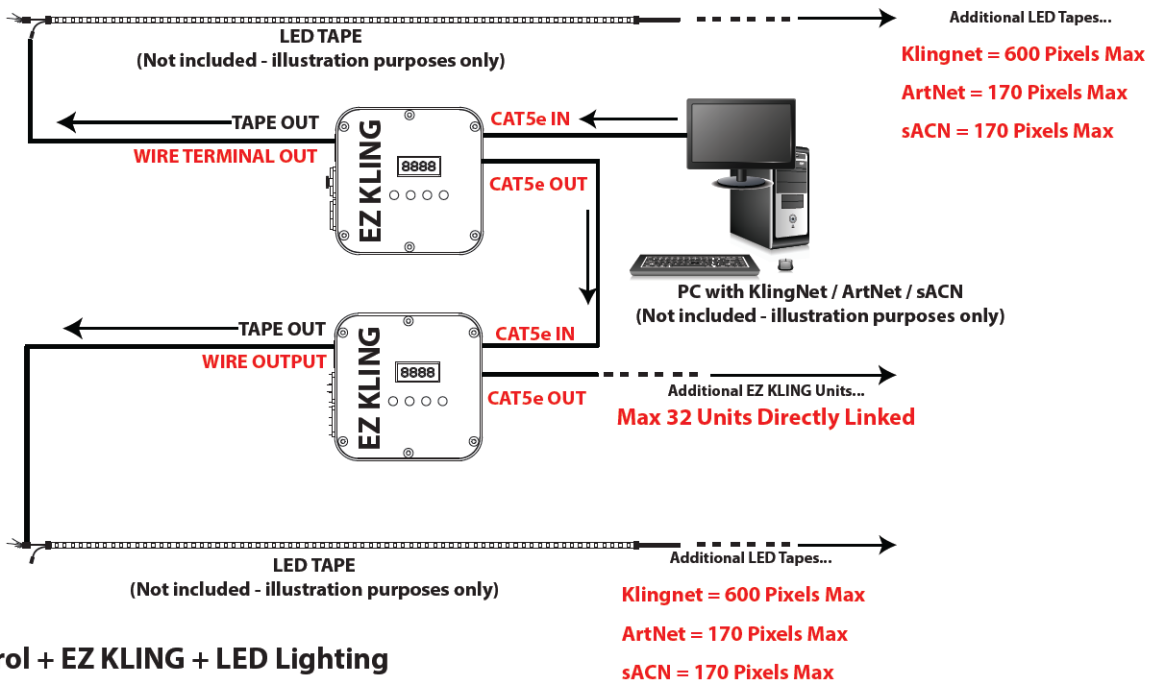


CONFIGURATION GUIDE

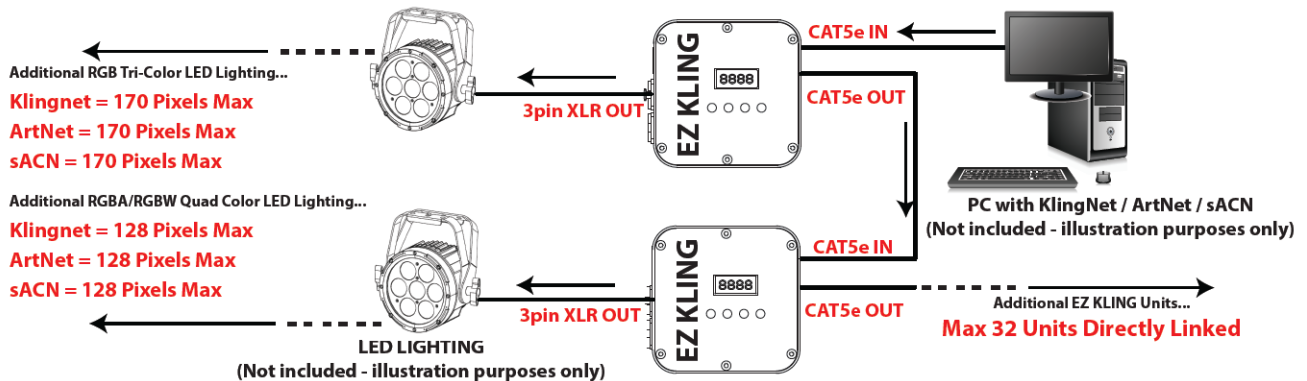
1. DMX Controller + EZ KLING + LED Tape



2. PC Control + EZ KLING + LED Tape



3. PC Control + EZ KLING + LED Lighting



SETUP GUIDE

Connecting EZ KLING™ to a DMX Controller and LED Tape


1. Set **EZ KLING™** to **LED TAPE MODE** and set the total number of pixel to control.
2. Connect the **EZ KLING™** device to the DMX controller using DMX signal cable.
3. Connect the **LED Tape** to the Bare Wire Terminal Block on **EZ KLING™**.
4. Control the **LED Tape** by the DMX controller.

Connecting EZ KLING™ to a Computer using KLINGNET to control LED Tape.

1. Install a compatible pixel mapping software (such as **ArKaos Media Master™**) on your computer.
 2. Set **EZ KLING™** to **KLINGNET** mode and set it to control **LED Tape**.
 3. Set the **Pixel Height** and **Width** numbers each **EZ KLING™** device needs to control.
 4. Connect the **EZ KLING™** device to your computer using standard CAT5e cable.
 5. Connect the **LED Tape** to the Bare Wire Terminal Block on **EZ KLING™**.
 6. Map the **LED Tape** with your pixel mapping software (such as **KlingNet Mapper™** in **Media Master™**).
 7. Control the **LED Tape** with your pixel mapping software (such as **ArKaos Media Master™**).
- Please refer to **ArKaos Media Master™** user manual for more information.

Connecting EZ KLING™ to a Computer using KLINGNET to control LED Lighting.

1. Install a compatible pixel mapping software (such as **ArKaos Media Master™**) on your computer.
 2. Set **EZ KLING™** to **KLINGNET** mode and set it to control **LED Lighting**.
 3. Set the **LED Color Set** of the lighting.
 4. Set the **Pixel Height** and **Width** numbers each **EZ KLING™** device needs to control.
 5. Connect the computer to the **EZ KLING™** device using standard CAT5e cable.
 6. Connect the **EZ KLING™** device to the **LED Lighting** using DMX signal cable.
 7. Map the **LED Lighting** with your pixel mapping software (such as **KlingNet Mapper™** in **Media Master™**).
 8. Control the **LED Lighting** with your pixel mapping software (such as **ArKaos Media Master™**).
- Please refer to the **ArKaos Media Master™** user manual for more information.

 **NOTE:** When connecting **EZ KLING™** to a computer using **KLINGNET** to control **LED Tape** or **LED Lighting**, and after making any setting changes on **EZ KLING™**, you **MUST** close **KlingNet Mapper™** in **Media Master™** and restart it to remap the **LED Tape** or **LED Lighting** again to make the new **EZ KLING™** setting changes take effect.

Connecting EZ KLING™ to a Computer using ARTNET to control LED Tape.

1. Install a compatible pixel mapping software (such as **MADRIX™**) on your computer.
 2. Set **EZ KLING™** to **ARTNET** mode and set it to control **LED Tape**.
 3. Connect the computer to the **EZ KLING™** device using standard CAT5e cable.
 4. Connect the **LED Tape** to the Bare Wire Terminal Block on **EZ KLING™**.
 5. Map the **LED Tape** with your pixel mapping software (such as **Generator** or **Patch** in **MADRIX™**).
 6. Control the **LED Tape** with your pixel mapping software (such as **MADRIX™**).
- Please refer to **MADRIX™** user manual for more information.

Connecting EZ KLING™ to a Computer using ARTNET to control LED Lighting.

1. Install a compatible pixel mapping software (such as **MADRIX™**) on your computer.
 2. Set **EZ KLING™** to **ARTNET** mode and set it to control **LED Lighting**.
 3. Connect the computer to the **EZ KLING™** device using standard CAT5e cable.
 4. Connect the **EZ KLING™** device to the **LED Lighting** using DMX signal cable.
 5. Map the **LED Lighting** with your pixel mapping software (such as **Generator** or **Patch** in **MADRIX™**).
 6. Control the **LED Lighting** with your pixel mapping software (such as **MADRIX™**).
- Please refer to **MADRIX™** user manual for more information.

SETUP GUIDE [continued]

Connecting EZ KLING™ to a Computer using sACN to control LED Tape.

1. Install a compatible pixel mapping software (such as **MADRIX™**) on your computer.
 2. Set **EZ KLING™** to **ESTA CAN** mode and set it to control **LED Tape**.
 3. Connect the computer to the **EZ KLING™** device using standard CAT5e cable.
 4. Connect the **LED Tape** to the Bare Wire Terminal Block on **EZ KLING™**.
 5. Map the **LED Tape** with your pixel mapping software (such as Generator or Patch in **MADRIX™**).
 6. Control the **LED Tape** with your pixel mapping software (such as **MADRIX™**).
- Please refer to **MADRIX™** user manual for more information.

Connecting EZ KLING™ to a Computer using sACN to control LED Lighting.

1. Install a compatible pixel mapping software (such as **MADRIX™**) on your computer.
 2. Set **EZ KLING™** to **ESTA CAN** mode and set it to control **LED Lighting**.
 3. Connect the computer to the **EZ KLING™** device using standard CAT5e cable.
 4. Connect the **EZ KLING™** device to the **LED Lighting** using DMX signal cable.
 5. Map the **LED Lighting** with your pixel mapping software (such as Generator or Patch in **MADRIX™**).
 6. Control the **LED Lighting** with your pixel mapping software (such as **MADRIX™**).
- Please refer to **MADRIX™** user manual for more information.

TECHNICAL SPECIFICATIONS

CONTROL / CONNECTIONS

DMX 512, KlingNet™, ArtNet3™ Multicast and Unicast, sACN

(4) Button Control Panel and LCD Menu Display

(6) Bare Wire Terminal Block

(1) 3pin DMX Input

(1) 3pin DMX Output

(2) RJ45 Bilateral CAT5e Ports

(1) 5VDC Power Supply Input

SIZE / WEIGHT

Length: 5.31" (134.9mm)

Width: 4.92" (125mm)

Vertical Height: 1.61" (40.9mm)

Weight: 1.0 lbs. (0.45kg)

ELECTRICAL / THERMAL

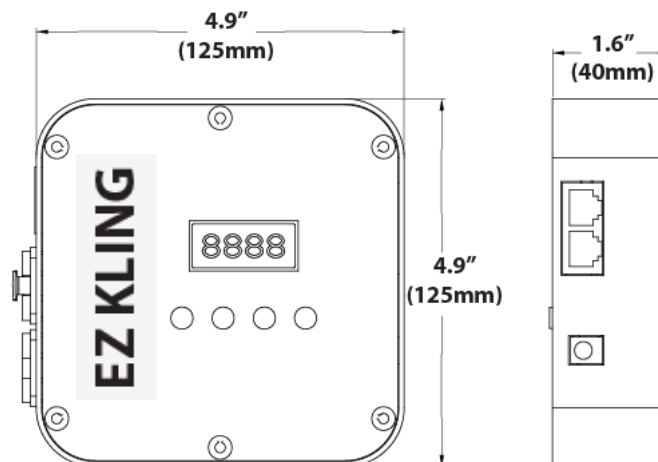
5VDC

5W Max Power Consumption

APPROVALS / RATINGS



DIMENSIONAL DRAWINGS



Please Note: Specifications and improvements in the design of this unit and this manual are subject to change without any prior written notice.

OPTIONAL ACCESSORIES

ORDER CODE	ITEM
NARROW CLAMP	PRO 2" Wrap Around Style Clamp
FPT-JC	Flex Pixel Tape Jumper First Cable
AC3PDMX5PRO	5 ft. (1.5m) 3pin PRO DMX Cable
	Additional Cable Lengths Available

