

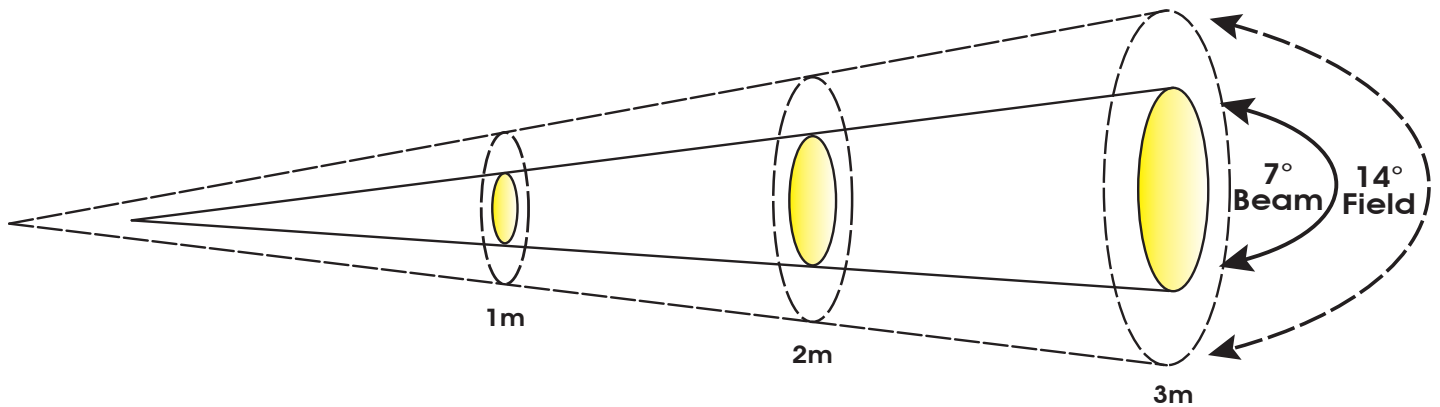
# ELAR Q1™

SKU# EAR913



## Photometric Data

Specifications are subject to change without any prior written notice.



	m		ft		m		ft	
Distance	1	3.3	2	6.6	3	9.8		
7° Beam Diameter	0.12	0.4	0.24	0.8	0.36	1.2		
14° Field Diameter	0.24	0.8	0.48	1.6	0.72	2.4		
	<b>lux</b>	<b>fc</b>	<b>lux</b>	<b>fc</b>	<b>lux</b>	<b>fc</b>		
RED	1,520	141	425	39	175	16		
GREEN	4,310	400	1,218	113	516	48		
BLUE	630	59	172	16	175	16		
WHITE	4,452	414	1,276	119	554	51		
FULL ON	9,310	865	2,698	251	1,170	109		