



COLOUR PENDANT WH™

SKU# COL123

The new COLOUR PENDANT WH™ wash luminaire features (36) 3W RGBW LEDs producing a 41° beam angle, fully blended color transformations, convection cooled, silent operation, and adjustable frequency settings for flicker free operation for TV and Film. It includes selectable dimming curves, strobe and color macro effects, RDM (Remote Device Management), 5pin DMX in/out and powerCON input connections, an internal E-Fly™ extended range wireless DMX transceiver, an LCD menu display with 4 button control panel, removable pendant and yoke mounting brackets, a multi-voltage universal auto switching power supply (100-250v), and optional exterior shroud kits available.



FEATURES

36 x 3W RGBW LEDs

41° Beam Angle - 66° Field Angle

Strobe and Color Macro Effects

Adjustable Frequency Settings for Flicker Free Operation

Selectable Dimming Curve Modes

RDM (Remote Device Management)

Convection Cooled / Silent Operation

Removable Pendant and Yoke Mounting Brackets

Internal E-Fly Extended Range Wireless DMX Transceiver



Specifications are preliminary and subject to change without notice ©Elation Professional 02/10/16

Elation Professional USA - Corporate Headquarters | 6122 S. Eastern Ave. | Los Angeles, CA. 90040
323-582-3322 | 323-832-9142 fax | www.elationlighting.com | info@elationlighting.com

Elation Professional B.V. | Junostraat 2 | 6468 EW Kerkrade, The Netherlands
+31 45 546 85 66 | +31 45 546 85 96 fax | www.elationlighting.eu | info@elationlighting.eu

PRODUCT SPECIFICATIONS

SOURCE

(36) 3W RGBW LEDs
 100,000 Hour Average LED Life*

*LED Life may vary depending on several factors including but not limited to: Environmental Conditions, Power/Voltage, Usage Patterns (On-Off Cycling), Control and Dimming.

PHOTOMETRIC DATA

3,650 LUX 339 FC @3.3' (1m) (41°Full ON)
 1,020 LUX 95 FC @6.6' (2m) (41°Full ON)
 458 LUX 43 FC @9.8' (3m) (41°Full ON)
 255 LUX 24 FC @13.1' (4m) (41°Full ON)
 164 LUX 15 FC @16.4' (5m) (41°Full ON)

EFFECTS

Strobe and Color Macros
 Dimming : 0% - 100%
 Selectable Dimming Curves

CONTROL / CONNECTIONS

11 DMX Channel Modes (1 / 3 / 4x2 / 5x2 / 6x2 / 7 / 8 / 10)
 Frequencies (1200Hz, 2400Hz, 4800Hz, 9600Hz)
 4 Button Control Panel and LCD Menu Display
 5pin DMX In/Out
 RDM (Remote Device Management)
 powerCON Power In

SIZE / WEIGHT

Length: 14.7" (374 mm)
 Width: 9.9" (252.5 mm)
 Horizontal Height: 12.0" (308.8 mm)
 Weight: 14.0 lbs. (6.4 kg)

ELECTRICAL / THERMAL

AC 100-240V - 50/60Hz
 110W Max Power Consumption
 -14°F to 113°F (-10°C to 45°C)

APPROVALS / RATINGS

CE | cETLus | IP20

INSTALLATION

Rigging: Integrated Yoke + Pendant Mounting Brackets
 Working Position: Any (360°)

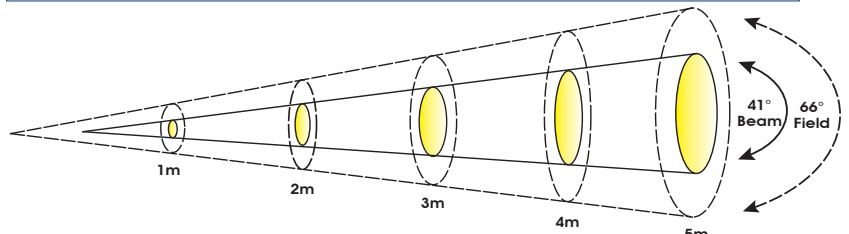
INCLUDED ACCESSORIES

(1) powerCON Cable

OPTIONAL Exterior Shroud Kit



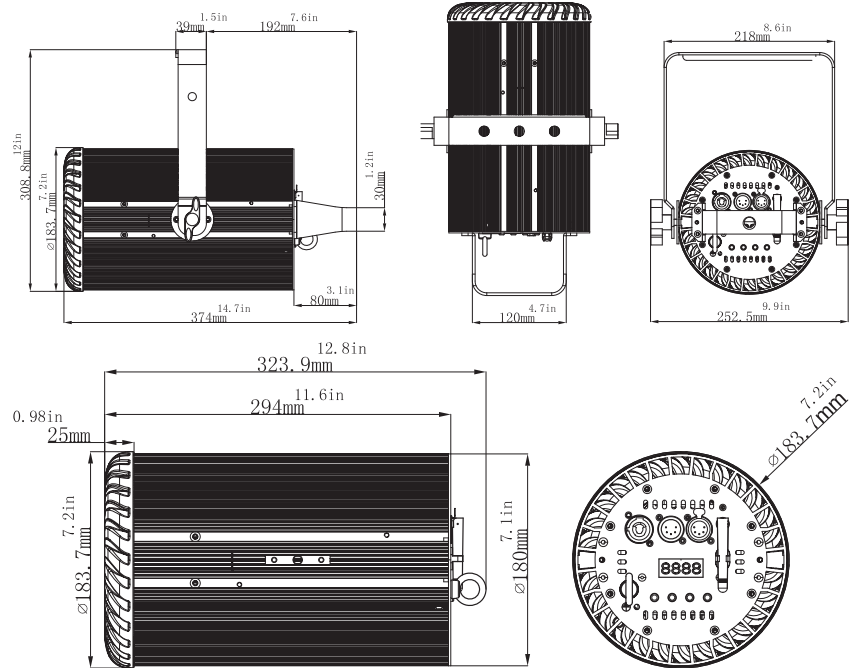
PHOTOMETRIC DATA



Distance	m 1	ft 3.3	m 2	ft 6.6	m 3	ft 9.8	m 4	ft 13.1	m 5	ft 16.4
41° Beam Diameter	0.73	2.4	1.46	4.8	2.18	7.2	2.91	9.5	3.63	11.9
66° Field Diameter	1.27	4.2	2.55	8.4	3.82	12.5	5.1	16.7	6.37	20.9

Photometrics	lux	fc	lux	fc	lux	fc	lux	fc	lux	fc
RED LEDs	535	50	129	12	54	5	28	3	16	1
GREEN LEDs	620	58	167	16	74	7	40	4	23	2
BLUE LEDs	85	8	23	2	10	1	5	0	3	0
WHITE LEDs	4,029	374	1,114	103	494	46	280	26	179	17
FULL ON	3,650	339	1,020	95	458	43	255	24	164	15

DIMENSIONAL DIAGRAMS



OPTIONAL ACCESSORIES

ORDER CODE	ITEM
COL123/ESK	Exterior Shroud Kit WHITE For COL123
PRO CLAMP	2" (51mm) Heavy Duty Wrap Around Truss Clamp
EFL001	E-Fly Extended Range Wireless DMX Transceiver
AC5PDMX5PRO	5 ft. (1.5m) 5pin PRO DMX Cable
	Additional Cable Lengths Available

OPTIONAL E-FLY Wireless DMX Transceiver



Specifications are preliminary subject to change without notice ©Elation Professional 02/10/16

Elation Professional USA - Corporate Headquarters | 6122 S. Eastern Ave. | Los Angeles, CA. 90040
 323-582-3322 | 323-832-9142 fax | www.elationlighting.com | info@elationlighting.com

Elation Professional B.V. | Junostraat 2 | 6468 EW Kerkrade, The Netherlands
 +31 45 546 85 66 | +31 45 546 85 96 fax | www.elationlighting.eu | info@elationlighting.eu