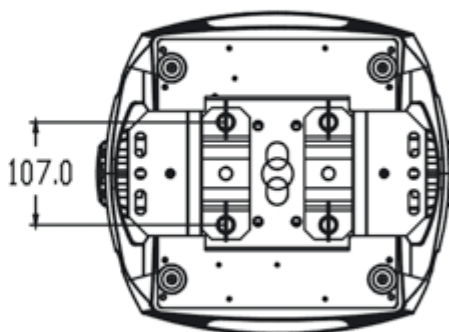
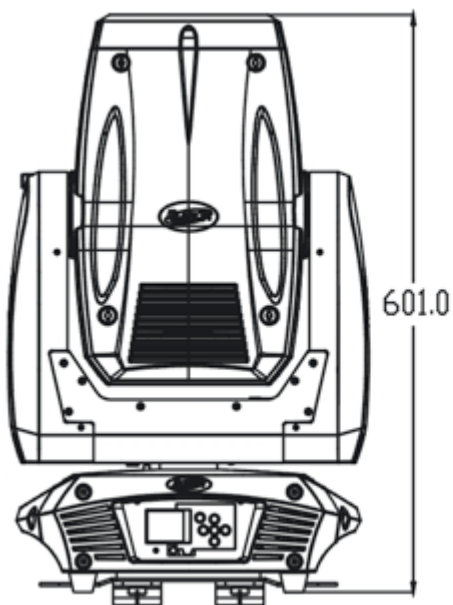
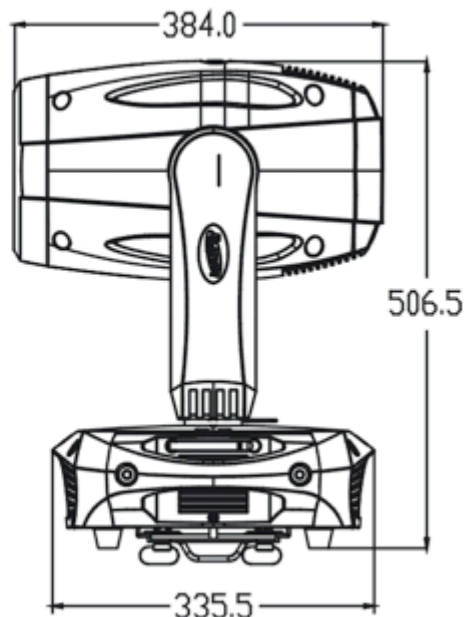
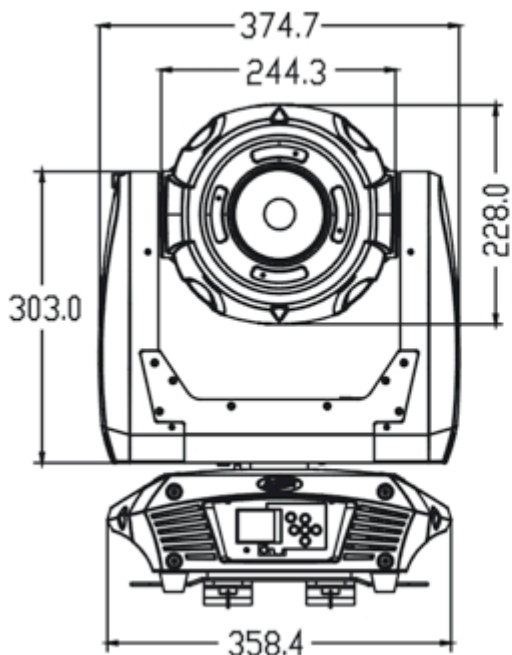


# PLATINUM SPOT LED PRO II™



## Dimensional Drawings (millimeters)

Specifications and improvements in the design of this unit are subject to change without any prior written notice.



ELATION | PLATINUM SPOT LED PRO II™ | dimensional drawings

Elation Professional USA | 6122 S. Eastern Ave. | Los Angeles, CA. 90040  
323-582-3322 | 323-832-9142 fax | [www.elationlighting.com](http://www.elationlighting.com) | [info@elationlighting.com](mailto:info@elationlighting.com)

Elation Professional B.V. | Junostraat 2 | 6468 EW Kerkrade, Netherlands  
+31 45 546 85 66 | +31 45 546 85 96 fax | [www.elationlighting.eu](http://www.elationlighting.eu) | [info@elationlighting.eu](mailto:info@elationlighting.eu)