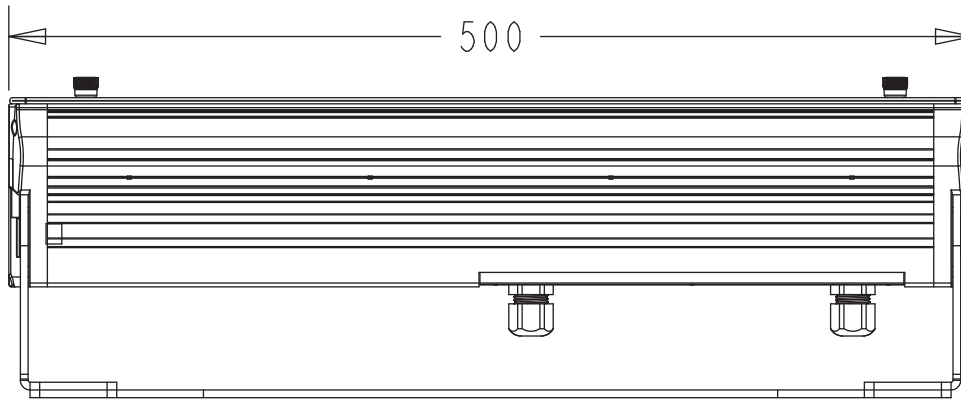
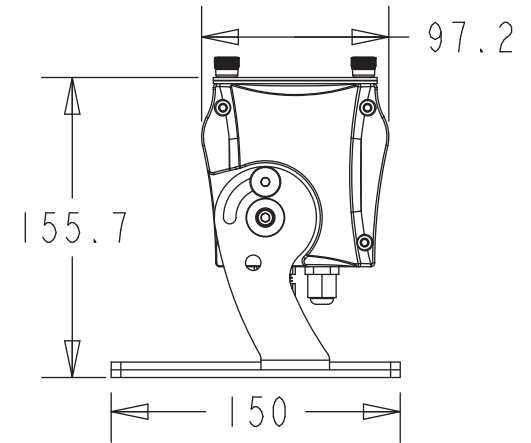
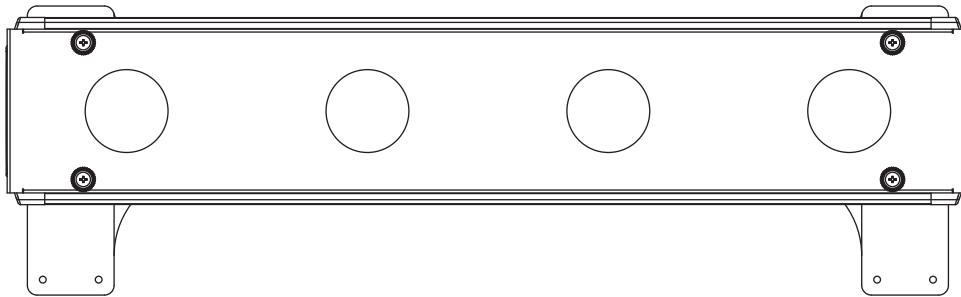


ELAR QUAD BAR

Dimensional Drawings



Specifications subject to change without notice. Measurements shown in millimeters.