

Design Wash 300E Dimensions

The Design Wash 300E by Elation Professional is a 300W CMY wash moving head fixture featuring the CMY color mixing system based on graduated cyan, magenta and yellow color filters. This unit is also equipped with 8 dichroic filters including CTO, CTB, UV plus white and also features motorized zoom, dual flag mechanical dimmer, variable speed strobe effect (1-13 flashes per second), 360° beam shapper, wide and flat beam can be rotated by 90° and frost filter. The Design Wash 300E's DMX adjustable motorized zoom can produce a maximum beam angle of 28° and a minimum beam angle of 18°. The Design Wash 300E is fan cooled and uses Philips "Fast Fit Gold" MSR300 lamp providing up to 1,000 hours estimated lamp life. This unit is rated IP 20 and is designed for indoor use only. 3 pin data cable is included and control data input is via 3 pin or 5 pin DMX data first in and out connections. The unit can operate from 98~240V AC via the internal auto sensing electronic power supply. Rigging for this unit includes 2 x 1/4 turn Omega clamps and safety cable.

## FEATURES

- 300W CMY wash moving head
- CMY - color mixing system
- 8 dichroic-filters plus white Red, green, blue colors and 3200K, 5600K, UV filters
- New 360° beam shaper
- Wide and flat beam can be rotated by 90°
- Frost filter for softer beam
- Automatic Pan / Tilt position correction
- Pan/Tilt Lock
- Maximum PAN-movement 630° in 2.0 secs (default) or 540° (user selectable) / 16 bit
- Maximum TILT-movement 265° in 1.5 secs / 16 bit
- Vector Mode with blackout
- Variable speed strobe effect (1-13) flashes per second
- Pre-set variable/random strobe and dimming pulse effect
- Dual Flag mechanical dimming system
- Flicker free
- New advanced high luminous-efficiency parabolic reflector
- 150 mm Fresnel lens
- Lux 28,000 @ 18° @ 2.5M
- DMX control via 16 channels
- Electronic power supply, multi-voltage

## TECHNICAL SPECIFICATIONS

- **DMX Channels:** 16 DMX channels
- **Control:** USITT DMX-512 (16-bit resolution), 3-pin and 5-Pin XLR serial input/output
- **Dimmer:** Dual Flag mechanical dimming system, flicker free
- **Strobe:** Variable speed strobe effect (1-13 fps)
- **IP Rating:** IP 20
- **Power Supply:** Electronic Power Supply - Multi-voltage: AC 98~240V 50/60Hz
- **Power Consumption:** 600W
- **Fuse:** 250V 8 Amp, magnetic ballast
- **Lamp:** Philips "Fast Fit" MSR300 (discharge)
- **Lamp life:** 300W, 8500°K, 1000 HRS
- **Dimensions:** (LxWxH): 14" x 14" x 22.5" / 356 x 356 x 572mm
- **Weight:** 59 lbs. / 27 kgs.
- **Rigging:** 2 x 1/4 turn Omega clamps  
1 x safety cable  
1 x 3-pin data cable

# Design Wash 300E

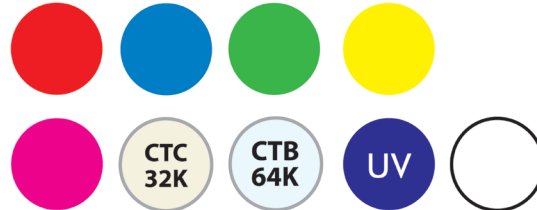


## COLORS

- CMY - COLOR MIXING SYSTEM
- The CMY color mixing system is based on graduated cyan, magenta, and yellow color filters.
- A continuous range of colors may be achieved by varying the amount of each filter from 0 to 100% 30 CMY color macros.
- 8 dichroic-filters plus white Red, green, blue colors and 3200K, 5600K, UV filters
- Continuous, variable speed, color scrolling in both directions (rainbow effect)



### COLORS

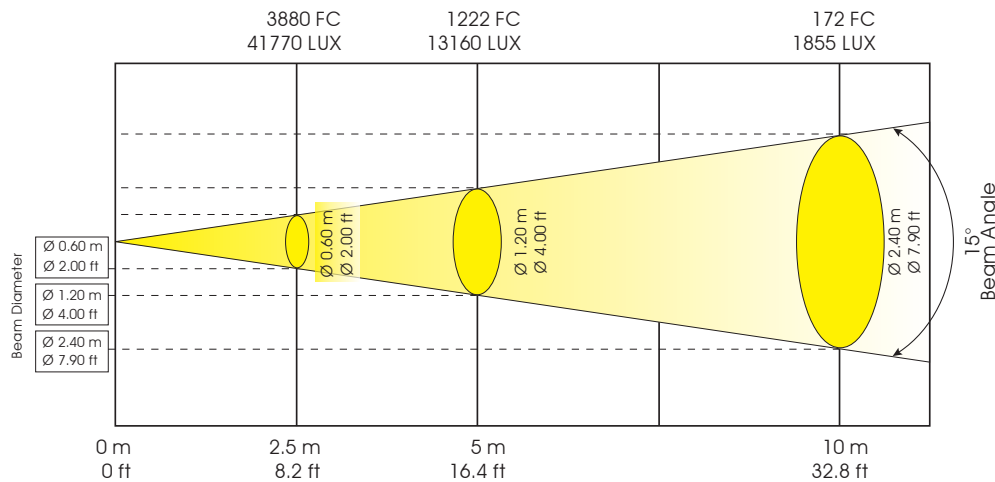


## PHOTOMETRICS

### Design Wash 300E Photometric Beam Angle Data

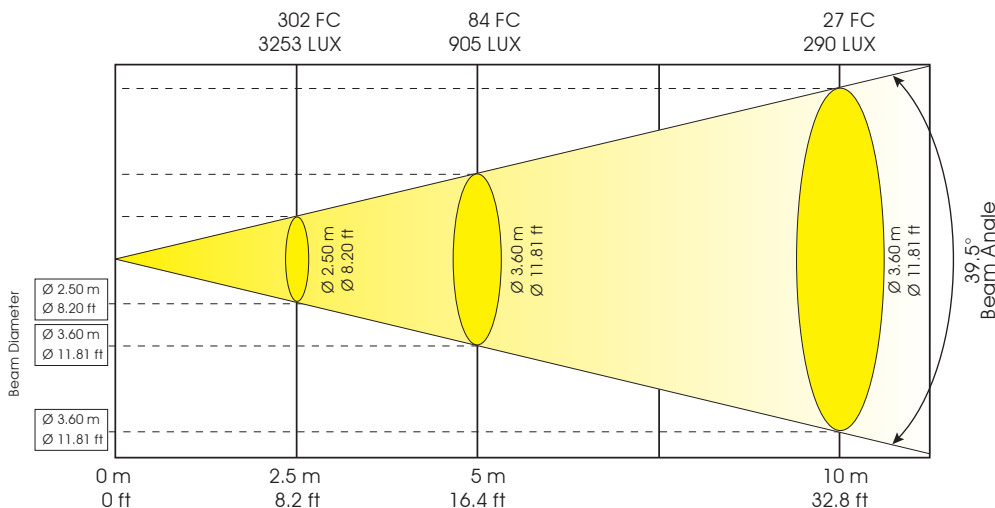
#### Minimum Beam Angle 13°

LUX x 0.0929 = FC



#### Maximum Beam Angle 39.5°

LUX x 0.0929 = FC

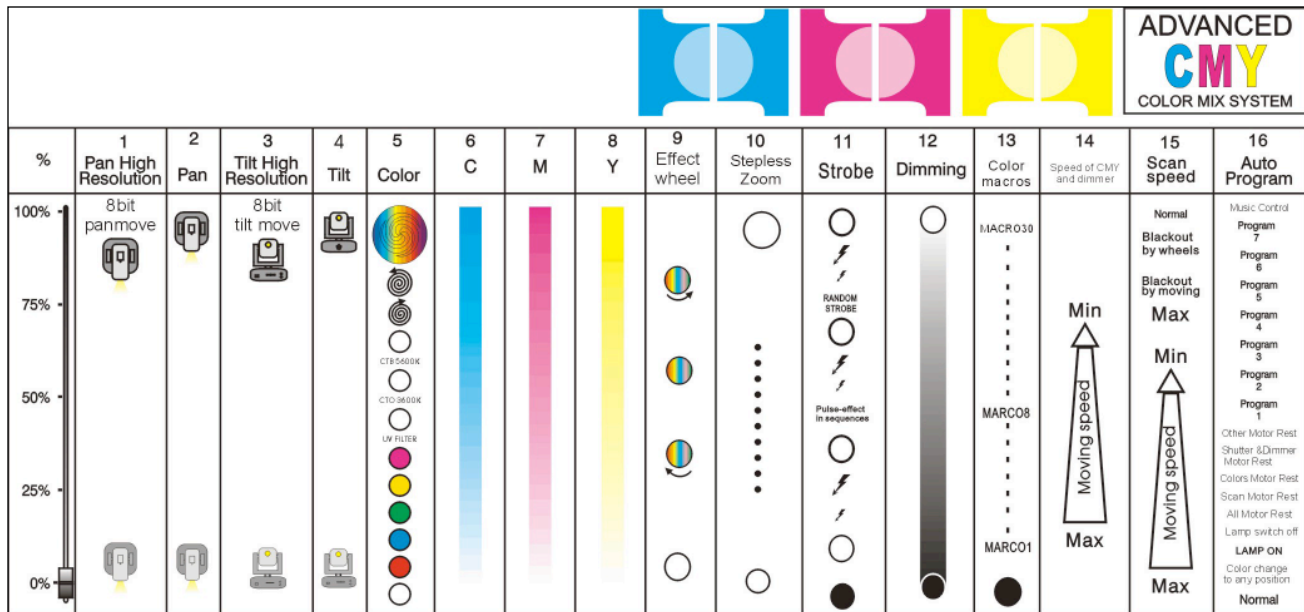


# Design Wash 300E



## DMX TRAITS

Channel	Value	Function
1	0 - 255	Pan Movement (max. 540° or 630° User Selectable)
2	0 - 255	16bit Pan Movement (pan fine)
3	0 - 255	Tilt Movement (max. 265°)
4	0 - 255	16bit Tilt Movement (tilt fine)
5	0 - 255	Color Wheel
6	0 - 255	Cyan Filter
7	0 - 255	Magenta Filter
8	0 - 255	Yellow Filter
9	0 - 255	Effects Wheel: Frost, Macros
10	0 - 255	Zoom Control Motor (Near ~ Far)
11	0 - 255	Strobe (0-13Hz), Shutter close/open function + random strobe
12	0 - 255	Dimmer (Intensity) Control
13	0 - 255	Color Macros (CMY and Color Wheels)
14	0 - 255	CMY/Dimmer Speed
15	0 - 255	Speed Control (Pan/Tilt movement, blackout selection)
16	0 - 255	Special (program control + lamp on, motor reset, lamp switch off)



Product Order Code	Description
Design Wash 300E	300W CMY wash moving head
Accessories Order Code	Description
DRC-300	Road case for Design Wash 300E