

Design Wash 575E Dimensions

The Design Wash 575E by Elation Professional is a 575W CMY wash moving head fixture featuring the CMY color mixing system based on graduated cyan, magenta and yellow color filters. This unit is also equipped with 5 dichroic filters, CTO, CTB, UV plus white and also features motorized zoom, electronic dimming system, variable speed strobe effect (1-13 flashes per second), 360° beam shaper, and frost filter. The Design Wash 575E's DMX adjustable motorized zoom can produce a maximum beam angle of 50° and a minimum beam angle of 13°. The Design Wash 575E is fan cooled and uses Philips MSR-575/SA2DE discharge lamp providing up to 1,000 hours estimated lamp life. This unit is rated IP 20 and is designed for indoor use only. 3 pin data cable is included and control data input is via 3 pin or 5 pin DMX data first in and out connections. The unit can operate from 98~240V AC via the internal auto sensing electronic power supply. Rigging for this unit includes 2 x 1/4 turn Omega clamps and safety cable.

FEATURES

- 575W CMY wash moving head with motorized zoom
- CMY Gradual Color Mixing
- 5 Dichroic Colors + UV, CTO & CTB
- New 360° beam shaper
- Frost filter for softer beam
- Animation effect wheel
- Glass dichroic reflector for even lamp output
- Maximum PAN-movement 630° or 540° (user selectable)
- Maximum TILT-movement 265°
- Variable speed strobe effect (1-13) flashes per second
- Strobe in any color
- 13° - 50° motorized zoom
- Electronic dimming system
- Lux 98,600 @ 13° @ 2.5M
- DMX control via 16 channels
- Full text LCD display
- Electronic power supply, multi-voltage
- 4 operation mode: DMX controlled, stand-alone, master/slave or sound activated

TECHNICAL SPECIFICATIONS

- **DMX Channels:** 16 DMX channels
- **Control:** USITT DMX-512 (16-bit resolution), 3-pin and 5-Pin XLR serial input/output
- **Dimmer:** Electronic dimming
- **Strobe:** Variable speed strobe effect (1-13 fps) strobe in any color
- **IP Rating:** IP 20
- **Power Supply:** Electronic Power Supply - Multi-voltage: AC 98~240V 50/60Hz
- **Power Consumption:** 700W
- **Fuse:** 250V 10 Amp, electronic ballast
- **Lamp:** Philips MSR-575/SA2DE (discharge)
- **Lamp life:** 575W, 7,500°K, 1000 HRS
- **Dimensions:** (LxWxH): 18.75" x 14.5" x 25.5" / 475 x 365 x 620 mm
- **Weight:** 67 lbs. / 30 kgs.
- **Rigging:** 2 x 1/4 turn Omega clamps
1 x safety cable
1 x 3-pin data cable

Design Wash 575E

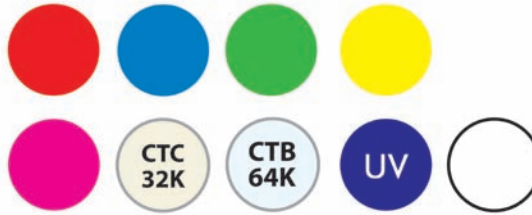


COLORS

- CMY - COLOR MIXING SYSTEM
- The CMY color mixing system is based on graduated cyan, magenta, and yellow color filters.
- 5 Dichroic Colors + UV, CTO & CTB
- New 360° beam shaper
- Frost filter for softer beam



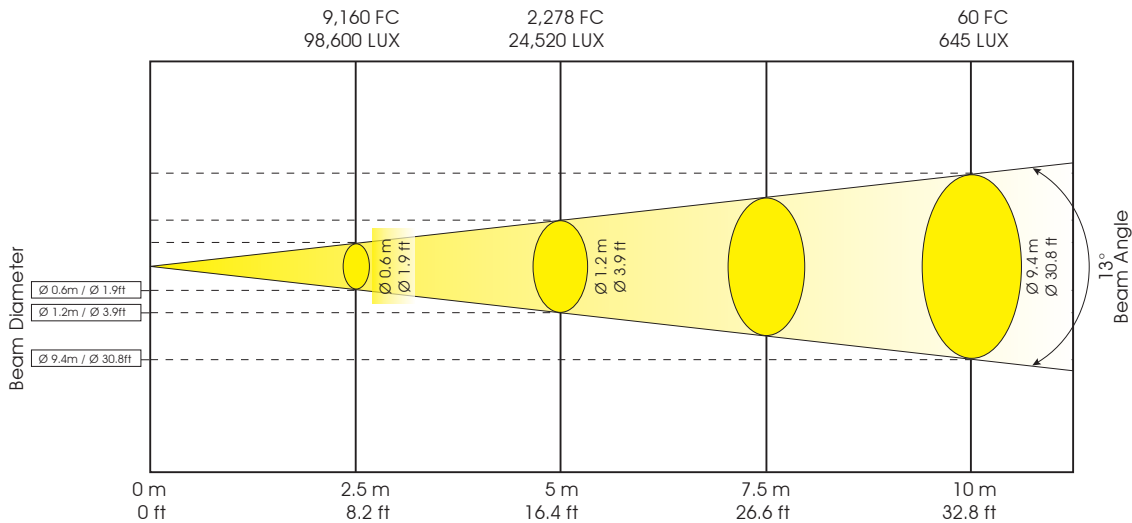
COLORS



PHOTOMETRICS

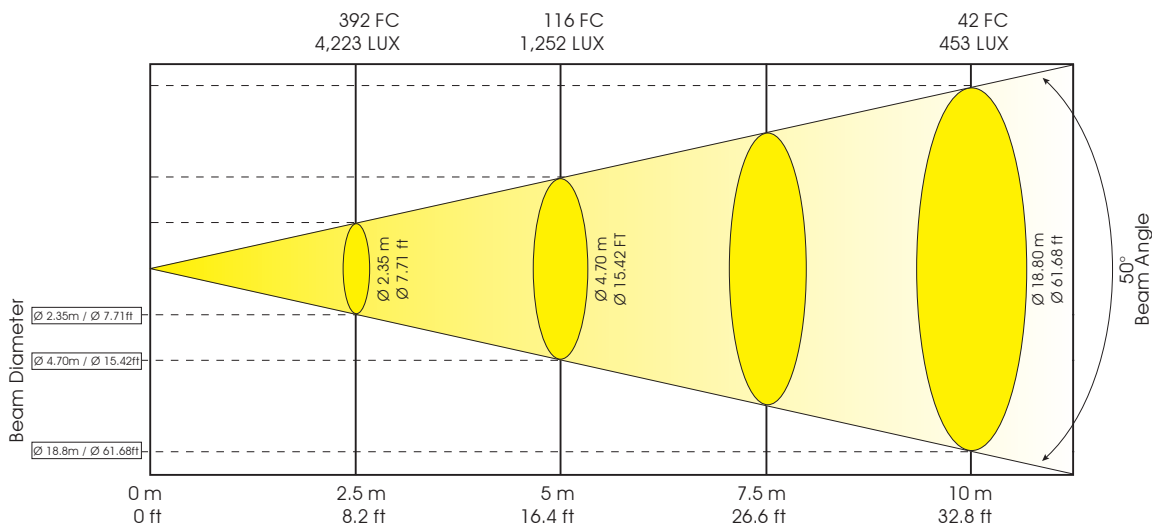
Design Wash 575E Photometric Beam Angle Data Minimum Beam Angle 13°

LUX x 0.0929 = FC



Maximum Beam Angle 50°

LUX x 0.0929 = FC



Design Wash 575E



DMX TRAITS

Channel	Value	Function
1	0 - 255	Pan Movement (max. 540° or 630° User Selectable)
2	0 - 255	16bit Pan Movement (pan fine)
3	0 - 255	Tilt Movement (max. 265°)
4	0 - 255	16bit Tilt Movement (tilt fine)
5	0 - 255	Color Wheel
6	0 - 255	Cyan Filter
7	0 - 255	Magenta Filter
8	0 - 255	Yellow Filter
9	0 - 255	Effects Wheel
10	0 - 255	Step-less Zoom
11	0 - 255	Strobe (0-13Hz), Shutter close/open function + random strobe
12	0 - 255	Dimmer (Intensity) Control
13	0 - 255	Color Macros (CMY and Color Wheels)
14	0 - 255	CMY/Dimmer Speed
15	0 - 255	Speed Control (Pan/Tilt movement, blackout selection)
16	0 - 255	Special (program control + lamp on, motor reset, lamp switch off)

Product Order Code	Description
Design Wash 575E	575W CMY wash moving head with motorized zoom
Accessories Order Code	Description
DRC-700	Road case for Design Wash 575E