

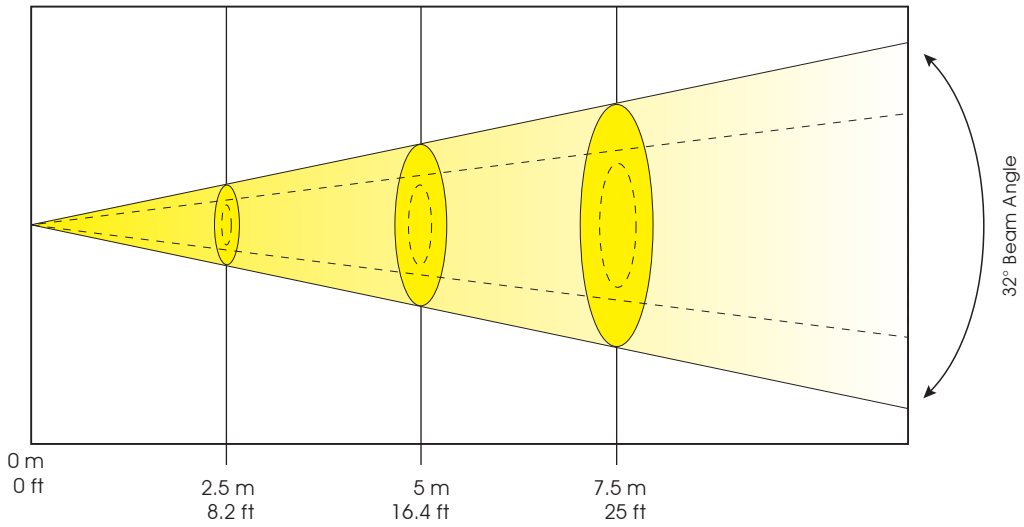


ELAR 216 Panel DW
Photometric Beam Angle Data

32° Beam Angle / 25° Lens

LUX x 0.0929 = FC

WW (48)	308 FC / 3,313 LUX	85 FC / 910 LUX	45 FC / 483 LUX
CW (24)	415 FC / 4,469 LUX	113 FC / 1,218 LUX	61 FC / 653 LUX
Full (72)	730 FC / 7,857 LUX	198 FC / 2,126 LUX	106 FC / 1,140 LUX



Beam Diameter

32° Beam Angle	Ø 1.46 m / Ø 4.80 ft	Ø 2.90 m / Ø 9.51 ft	Ø 4.30 m / Ø 14.12 ft
----------------	----------------------	----------------------	-----------------------