

#### DW MODEL

- . Dynamic White Outdoor IP65 Design Panel
- . 3,000°K - 6,000°K
- . 72W x 3 Watt WW and CW LEDs

#### PRODUCT FEATURES

- . IP 65 Rugged Die Cast Aluminum Case Design
- . 32° beam angle, 25° lens
- . Built in color macros, auto & manual control

#### TECHNICAL SPECIFICATIONS

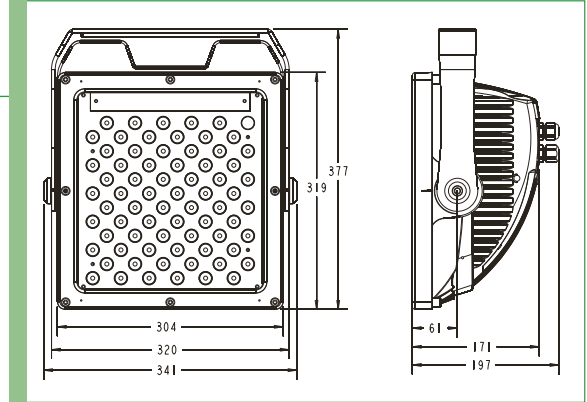
- . **DMX Channels:** 4 DMX modes – 4/5/7/9 Channels
- . **Control:** USITT DMX-512, 3 pin DMX
- . **Color:** Warm white / cool white
- . **Strobe:** 25 flashes per second
- . **Dimmer:** 0-100% continuous dimming
- . **Cooling:** Silent Operation, convection cooled, no fans
- . **LED's Source:** 72 x 3W LEDs  
48 Warm White, 24 Cool White
- . **Lux:** 7,857 lux / 731 fc @ 2.5m / 8' @ full
- . **LED Life:** 100,000 hours rated life
- . **Approvals:** (cETLus pending)

#### ENVIRONMENTAL SPECIFICATIONS

- . **Maximum Ambient Temperature:** 113°F / 45°C
- . **IP Level:** IP 65

#### ELECTRICAL SPECIFICATIONS

- . **Ballast:** Electronic Switching Power supply
- . **Power Supply:** 100-240V 50/60Hz
- . **Power Consumption:** 250W
- . **Dimensions:** (LxWxH) 13" x 7.75" x 15" / 341 x 197 x 377mm
- . **Weight:** 26.5 lbs. (12 Kgs)



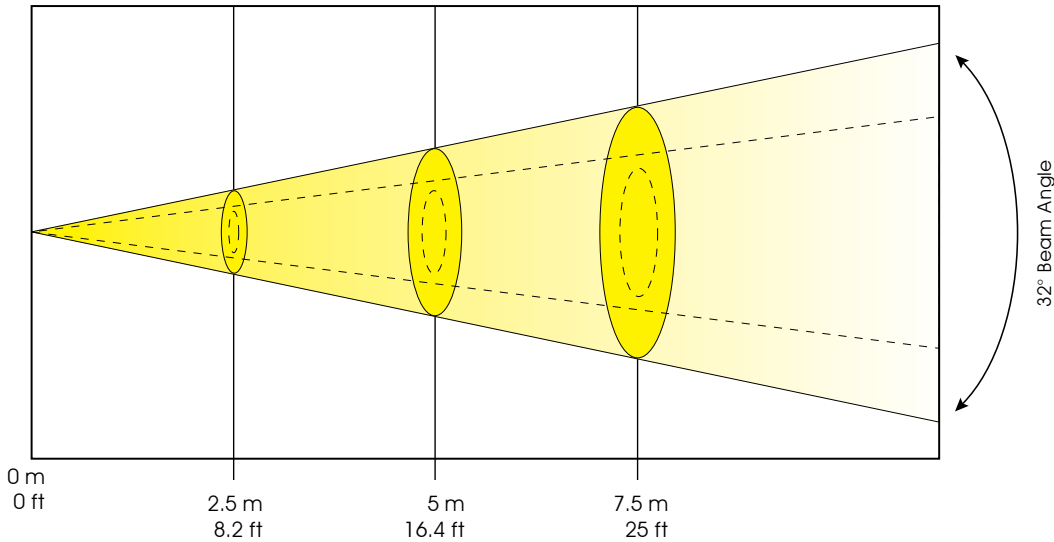
## Photometrics

**ELAR 216 Panel DW**  
**Photometric Beam Angle Data**

**32° Beam Angle / 25° Lens**

LUX x 0.0929 = FC

WW (48)	308 FC / 3,313 LUX	85 FC / 910 LUX	45 FC / 483 LUX
CW (24)	415 FC / 4,469 LUX	113 FC / 1,218 LUX	61 FC / 653 LUX
Full (72)	730 FC / 7,857 LUX	198 FC / 2,126 LUX	106 FC / 1,140 LUX



Beam Diameter			
32° Beam Angle	Ø 1.46 m / Ø 4.80 ft	Ø 2.90 m / Ø 9.51 ft	Ø 4.30 m / Ø 14.12 ft