

Design LED 36 PRO Dimensions

The Design LED 36 Pro (DLED36pro) by Elation Professional is a high output, compact L.E.D. color changer featuring full RGB color mixing using 36 3Watt LED's - 12 RED, 12 BLUE and 12 GREEN running at a total of 108Watts power. The unit is made of a high quality die cast metal case and is designed with convection cooled heat sinks for silent operation. Providing up to 100,000 hours estimated LED life. The DLED36Pro is rated at IP 65 ideal for indoor or outdoor applications and includes outdoor rated power and data cables along with a/c power 120v input cable but unit can operate from 90 – 240v AC via the internal auto sensing electronic power supply. Control data cables are 3 pin DMX. The DLED36Pro includes a dual yoke mounting bracket for fixed installation or can be used as a split bracket for floor standing-up lights. The unit also features an on board weather protected 4 button control menu with 4 digit LED display for setting control address, modes, manual or auto programs. The unit comes fitted standard with a 15° lens kit which produces a 14° beam angle and a 25° field angle. Optional 25° and 45° lens kits are available.

## FEATURES

- 108Watt RGB Exterior par
- 36 x 3W (12 each R, G, B)
- Standard 15° lens kit: 14° beam angle, 25° field angle
- 25° & 45° optional lens kits available
- 4 digit LED display with easy to use function keys
- Long Life L.E.D. (rated at 100,000 Hours)
- Linear RGB color mixing allows for infinite color possibilities and smooth transitions
- Waterproof IP 65 outdoor rated
- compact design die cast case
- 6 built-in programs with Speed control
- Master/ Slave auto program and sound trigger
- Silent operation, convection cooled (No fans)
- Built-in, auto switching power supply
- DMX controllable / Built-in Programs / Manual Control
- Linkable power / data IP rated cables supplied w/ fixture - 3' leads
- Smooth Color Mixing Flicker free

## TECHNICAL SPECIFICATIONS

- **DMX Channels:** 3, 4 & 6 CH DMX control modes
- **Control:** USITT DMX-512 Complaint
- **Dimmer:** Selectable dim options (Standard & Linear) 0 - 100% dimming
- **Strobe:** Strobe effect 1-18 flashes per second
- **IP Rating:** IP 65
- **Cable Plug Type:** IP Power in-out/Data in-out, cables include Edison 120v plug & 3pin XLR's
- **Power Supply:** Power Switching Electronic, Multi-voltage: 100-240VAC, 50/60Hz
- **Power Consumption:** 150W
- **Lamp:** 36 x 3W 1 LEDs - (12 each R, G, B)
- **Lamp Life:** 100,000 hours rated LED life
- **Dimensions:** (LxWxH): 8.8" x 8" x 10.8" / 223.52 x 203.20 x 274.32mm
- **Weight:** 15.2 lbs. / 6 kgs.
- **Rigging:** Split yoke up-light bracket, molded eye hole for safety cable

# Design LED 36 PRO



## COLORS

- Equipped with 36 x 3-watt LEDs: (12 red, 12 blue, 12 green)
- RGB Color Additive Mixing
- Linear RGB color mixing allows for infinite color possibilities and smooth transitions

## PHOTOMETRICS

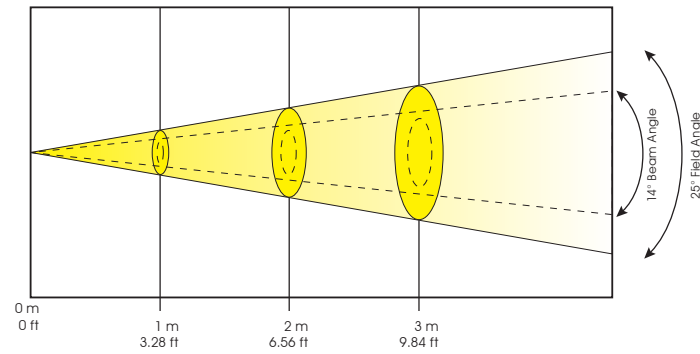
### DLED 36 Pro

#### Photometric Beam Angle Data

##### Standard 15° Lens Kit: 14° Beam Angle, 25° Field Angle

LUX x 0.0929 = FC

<b>R (12)</b>	1,094 FC / 11,780 LUX	260 FC / 2,791 LUX	106 FC / 1,144 LUX
<b>G (12)</b>	1,691 FC / 18,200 LUX	427 FC / 4,600 LUX	210 FC / 2,251 LUX
<b>B (12)</b>	364 FC / 3,920 LUX	95 FC / 1,020 LUX	42 FC / 457 LUX
<b>Full (36)</b>	3,028 FC / 32,600 LUX	776 FC / 8,350 LUX	340 FC / 3,650 LUX



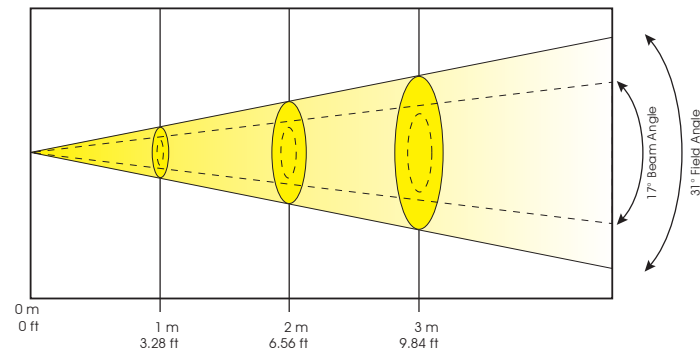
#### Beam Diameter

14° Beam Angle	Ø 0.24 m / Ø 0.79 ft	Ø 0.48 m / Ø 1.57 ft	Ø 0.72 m / Ø 2.36 ft
25° Field Angle	Ø 0.45 m / Ø 1.48 ft	Ø 0.90 m / Ø 2.95 ft	Ø 1.35 m / Ø 4.43 ft

##### Optional 25° Lens Kit: 17° Beam Angle, 31° Field Angle

LUX x 0.0929 = FC

<b>R (12)</b>	238 FC / 2560 LUX	63 FC / 675 LUX	29 FC / 312 LUX
<b>G (12)</b>	723 FC / 7780 LUX	190 FC / 2040 LUX	87 FC / 933 LUX
<b>B (12)</b>	124 FC / 1370 LUX	33 FC / 360 LUX	15 FC / 162 LUX
<b>Full (36)</b>	1089 FC / 11720 LUX	284 FC / 3058 LUX	132 FC / 1420 LUX



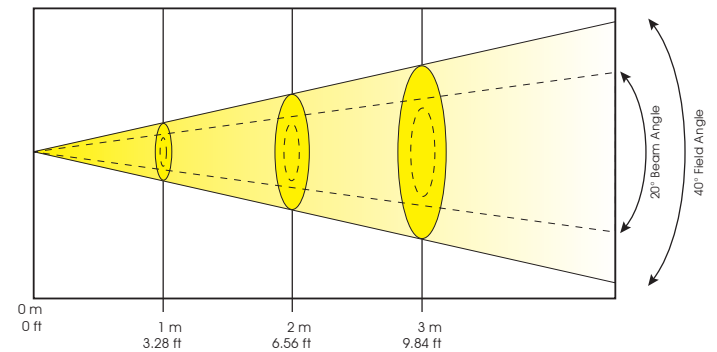
#### Beam Diameter

17° Beam Angle	Ø 0.30 m / Ø 0.98 ft	Ø 0.60 m / Ø 1.97 ft	Ø 0.90 m / Ø 2.95 ft
31° Field Angle	Ø 0.55 m / Ø 1.80 ft	Ø 1.10 m / Ø 3.61 ft	Ø 1.65 m / Ø 5.41 ft

##### Optional 45° Lens Kit: 20° Beam Angle, 40° Field Angle

LUX x 0.0929 = FC

<b>R (12)</b>	163 FC / 1751 LUX	41 FC / 443 LUX	17 FC / 184 LUX
<b>G (12)</b>	437 FC / 4702 LUX	112 FC / 1209 LUX	50 FC / 539 LUX
<b>B (12)</b>	80 FC / 860 LUX	20 FC / 218 LUX	9 FC / 98 LUX
<b>Full (36)</b>	691 FC / 7440 LUX	174 FC / 1872 LUX	78 FC / 840 LUX



#### Beam Diameter

20° Beam Angle	Ø 0.35 m / Ø 1.15 ft	Ø 0.70 m / Ø 2.30 ft	Ø 1.05 m / Ø 3.44 ft
40° Field Angle	Ø 0.73 m / Ø 2.40 ft	Ø 1.46 m / Ø 4.80 ft	Ø 2.19 m / Ø 7.19 ft

# Design LED 36 PRO



## DMX TRAITS

### 3 Channel Mode:

Channel	Value	Function
1	0 - 255	Red (0-black, 255-100% red)
2	0 - 255	Green (0-black, 255-100% green)
3	0 - 255	Blue (0-black, 255-100% blue)

### 4 Channel Mode:

Channel	Value	Function
1	0 - 255	Red (0-black, 255-100% red)
2	0 - 255	Green (0-black, 255-100% green)
3	0 - 255	Blue (0-black, 255-100% blue)
4	0 - 255	Dimming 1%-100%

### 6 Channel Mode:

Channel	Value	Function
1	0 - 255	Red (0-black, 255-100% red)
2	0 - 255	Green (0-black, 255-100% green)
3	0 - 255	Blue (0-black, 255-100% blue)
4	0 - 255	Internal Programs
5	0 - 255	Strobe
6	0 - 255	General dimming / program speed control

Product Order Code	Description
DLED 36 PRO	Black DLED 36 Pro 36 3W Fixture
Accessories Order Code	Description
LSF10-24	10° light shaping filter 24' x 24"
LSF20-22	20° light shaping filter 24' x 22"
LSF30-24	30° light shaping filter 24' x 24"
LSF601-24	1° x 60° light shaping filter 24" x 24"
Narrow Clamp	Heavy Duty 2" wrap around clamp
DLED-LK25	25° Lens Kit
DLED-LK45	45° Lens Kit
80409030011	Data ext cable 3 meter length
80409030026	Power link cable 3 meter length
80409030054*	DLED 120V Power In 3P IP Cable 1.8M
80409030065*	DLED DMX Out 3P Female XLR/5P Male IP 3M
80409030066*	DLED DMX In 3P Male XLR/5P Female IP 3M
80409030069	Data extension cable 10 meter length
80409030070	Power link cable for meter length

\*Included with unit