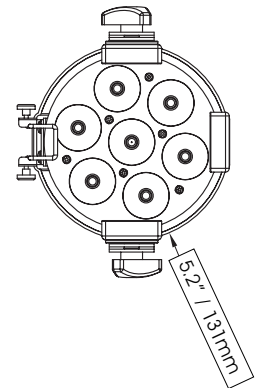


Opti Tri 30 Dimensions



The Opti Tri 30 by Elation Professional is a compact TriColor LED high power par can featuring 7 Tri RGB LEDs running at 3W power each. The Opti Tri Par 30 features Tri-Color LED technology for better colors and no multi-color shadows. The design of the fixture is optimized providing up to 50,000 hours estimated LED life, 30W power consumption, convection cooled and flicker free operation. The Opti Tri 30 is operable via 6 DMX channel modes: 1, 2, 3, 4, 6, and 7. This unit produces a standard beam angle of 10° with an available optional beam angle of 25° and is rated IP 20, ideal for indoor applications. Control data input is via 5 pin DMX data first in and out connections. This unit is fully operational in any mounting position. Other features include electronic power supply, 4 operational modes and user may daisy chain units together in DMX mode. Rigging for this unit includes split yoke bracket, safety and data cable are optional.

FEATURES

- Compact TriColor LED high power par can
- 7 x 3Watt Tri Color LEDs
- Tri-color LED technology for better colors and no multicolor shadows
- 10° standard beam angle (25° optional beam angle)
- Rated IP 20
- Sturdy, high-impact aluminum construction
- Case Color: Black
- Cooling: Convection Cooled
- Multi-voltage internal PSU
- DMX controllable via 6 DMX modes: 1, 2, 3, 4, 6, & 7
- Digital DMX display
- Macros: Yes
- Master/Slave
- On Board Control
- Stand Alone
- Flicker Free
- 4 operational modes: Sound Active, Macro, Auto, & DMX
- Double hanging brackets – may be set on the floor

TECHNICAL SPECIFICATIONS

- **DMX Channels:** 6 DMX modes: 1, 2, 3, 4, 6, & 7
- **Control:** USITT DMX-512, 5 pin XLR data input & output
- **Dimmer:** Dimming 0-100% in 2, 4, 6 & 7 channel mode
- **Strobe:** Strobe effect (1-18 flashes per second)
- **IP Rating:** IP 20
- **Power Supply:** 100 ~ 240v, 50/60Hz
- **Power Consumption:** 30W
- **Power Supply:** Electronic, multi-voltage internal PSU
- **Cable / Plug Type:** PPG 120v US
- **Approvals:** ETL Approved
- **Lamp:** SSC-Tri RGB, 7 x Tri RGB, 7 x 3W LEDs
- **Lamp Life:** 50,000 hrs. life
- **Lux:** 10° Beam Angle: 1456 Lux @ 3M
25° Beam Angle: 320 Lux @ 3M
- **Dimensions:** (LxWxH) 10" x 7.5" x 5.5" / 254 x 190.5 x 139.7mm
- **Weight:** 5.3 lbs / 2.4 kg
- **Rigging:** Split Yoke Bracket / safety and data cable optional

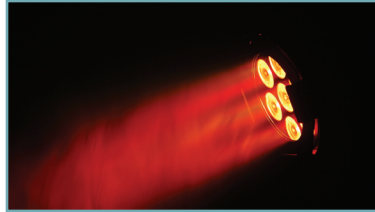


Opti Tri 30



COLORS

- 7 x 3Watt Tri Color LEDs
- Tri-color LED technology for better colors and no multicolor shadows



PHOTOMETRICS

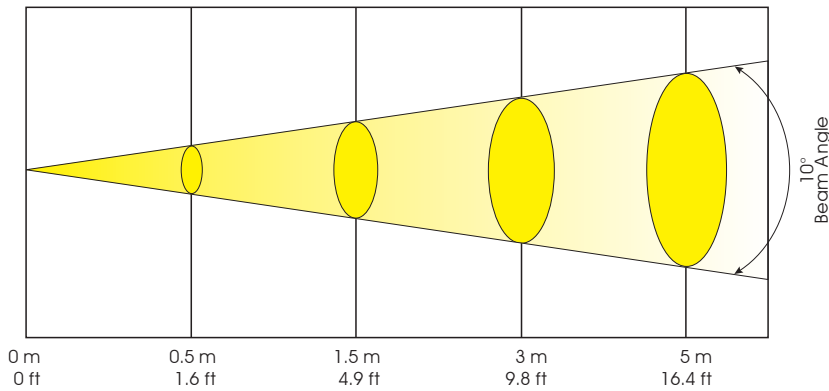
Opti Tri 30

Photometric Beam Angle Data

Standard 10° Beam Angle

LUX x 0.0929 = FC

R	239 FC / 2570 LUX	27 FC / 289 LUX	6 FC / 68 LUX	2 FC / 26 LUX
G	343 FC / 4020 LUX	51 FC / 545 LUX	13 FC / 142 LUX	5 FC / 53 LUX
B	26 FC / 280 LUX	4 FC / 46 LUX	1 FC / 13 LUX	0.5 FC / 5 LUX
W	603 FC / 6490 LUX	75 FC / 806 LUX	19 FC / 207 LUX	7 FC / 76 LUX



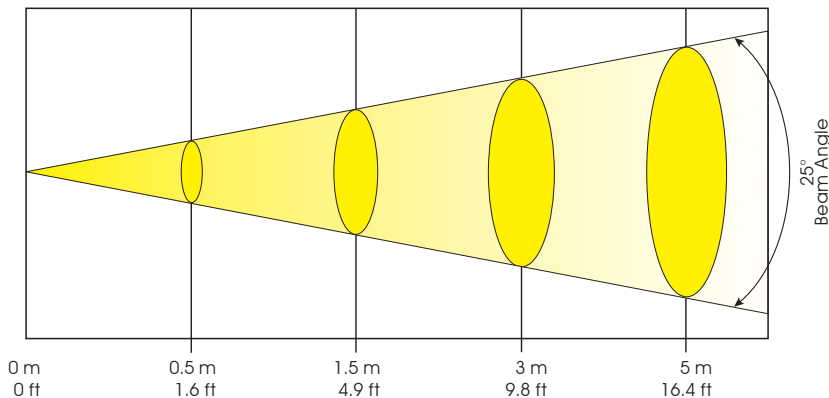
Beam Diameter

25° Beam Angle	∅ 0.99 m / ∅ 3.23 ft	∅ 0.64 m / ∅ 2.08 ft	∅ 0.37 m / ∅ 1.22 ft	∅ 0.19 m / ∅ 0.65 ft
----------------	----------------------	----------------------	----------------------	----------------------

Optional 25° Beam Angle

LUX x 0.0929 = FC

R	105 FC / 1127 LUX	18 FC / 191 LUX	5 FC / 49.7 LUX	2 FC / 19.4 LUX
G	266 FC / 2860 LUX	39 FC / 416 LUX	10 FC / 108.6 LUX	4 FC / 42.9 LUX
B	7 FC / 74.6 LUX	1.4 FC / 15.3 LUX	0.33 FC / 3.6 LUX	0.18 FC / 1.9 LUX
W	375 FC / 4040 LUX	56 FC / 599 LUX	14 FC / 150.5 LUX	6 FC / 59.4 LUX



Beam Diameter

25° Beam Angle	∅ 0.22 m / ∅ 0.72 ft	∅ 0.66 m / ∅ 2.2 ft	∅ 1.33 m / ∅ 4.4 ft	∅ 2.21 m / ∅ 7.3 ft
----------------	----------------------	---------------------	---------------------	---------------------

DMX TRAITS

1 Channel Mode:

Channel	Value	Function
1	0 - 255	Macros

2 Channel Mode:

Channel	Value	Function
1	0 - 255	Macros
2	0 - 255	Dimming (0-100%)

3 Channel Mode:

Channel	Value	Function
1	1 - 255	Red (0-100%)
2	1 - 255	Green (0-100%)
3	1 - 255	Blue (0-100%)

4 Channel Mode:

Channel	Value	Function
1	1 - 255	Red (0-100%)
2	1 - 255	Green (0-100%)
3	1 - 255	Blue (0-100%)
4	1 - 255	Master dimmer (0-100%)

6 Channel Mode:

Channel	Value	Function
1	1 - 255	Red (0-100%)
2	1 - 255	Green (0-100%)
3	1 - 255	Blue (0-100%)
4	1 - 255	Color macro
5	0 - 15	Nothing
	16 - 255	Stobing/macro speed
6	1 - 255	Master dimmer (0-100%)

7 Channel Mode:

Channel	Value	Function
1	1 - 255	Red (0-100%)
2	1 - 255	Green (0-100%)
3	1 - 255	Blue (0-100%)
4	16 - 255	Color macro
5	0 - 15	Nothing
	16 - 255	Stobing/speed control
6		<u>Mode</u>
	0 - 31	RGB using channels 1,2, & 3
	32 - 63	Dim - bright
	64 - 95	Bright - dim
	96 - 127	Dim - bright - dim
	128 - 159	Color mixing
	160 - 191	3 color change
	192 - 223	7 color change
	224 - 155	Sound active
7	1 - 255	Master dimmer (0-100%)