

# IP GOBO ROTATOR™

user manual

©2018 **ELATION PROFESSIONAL** all rights reserved. Information, specifications, diagrams, images, and instructions herein are subject to change without notice. ELATION PROFESSIONAL logo and identifying product names and numbers herein are trademarks of ELATION PROFESSIONAL. Copyright protection claimed includes all forms and matters of copyrightable materials and information now allowed by statutory or judicial law or hereinafter granted. Product names used in this document may be trademarks or registered trademarks of their respective companies and are hereby acknowledged. All non-ELATION brands and product names are trademarks or registered trademarks of their respective companies.

**ELATION PROFESSIONAL** and all affiliated companies hereby disclaim any and all liabilities for property, equipment, building, and electrical damages, injuries to any persons, and direct or indirect economic loss associated with the use or reliance of any information contained within this document, and/or as a result of the improper, unsafe, insufficient and negligent assembly, installation, rigging, and operation of this product.

**Elation Professional USA** | 6122 S. Eastern Ave. | Los Angeles, CA. 90040  
323-582-3322 | 323-832-9142 fax | [www.elationlighting.com](http://www.elationlighting.com) | [info@elationlighting.com](mailto:info@elationlighting.com)

**Elation Professional B.V.** | Junostraat 2 | 6468 EW Kerkrade, The Netherlands  
+31 45 546 85 66 | +31 45 546 85 96 fax | [www.elationlighting.eu](http://www.elationlighting.eu) | [info@elationlighting.eu](mailto:info@elationlighting.eu)

**Elation Professional Mexico** | AV Santa Ana 30 | Parque Industrial Lerma, Lerma, Mexico 52000  
+52 (728) 282-7070

## **D O C U M E N T   V E R S I O N**

**Due to additional product features and/or enhancements, an updated version of this document may be available online.**

**Please check [www.elationlighting.com](http://www.elationlighting.com) for the latest revision/update of this manual, before beginning installation and/or programming.**

<b>Date</b>	<b>Document Version</b>	<b>Notes</b>
12/10/18	1	Initial release.

# CONTENTS

General Information	4
Limited Warranty (USA Only)	5
Safety Guidelines	6
Maintenance Guidelines	7
Device Overview	8
Installation Guidelines	9
Gobo Dimensions	10
Gobo Installation	11
Rotator Installation	12
DMX Control	15
Specifications	16

# GENERAL INFORMATION

## INTRODUCTION

Please read and understand the instructions in this manual carefully and thoroughly before attempting to operate this device. These instructions contain important safety and use information.

## UNPACKING

Every device has been thoroughly tested and has been shipped in perfect operating condition. Carefully check the shipping carton for damage that may have occurred during shipping. If the carton is damaged, carefully inspect the device for damage, and be sure all accessories necessary to install and operate the device have arrived intact. In the event damage has been found or parts are missing, please contact our customer support team for further instructions. Please do not return this device to your dealer without first contacting customer support. Please do not discard the shipping carton in the trash. Please recycle whenever possible.

## BOX CONTENTS

Gobo Rotator  
2 B-Size Metal Gobos  
Safety Cable  
Rotator to Fixture Linking Power/Data Cable

## CUSTOMER SUPPORT

Contact ELATION Service for any product related service and support needs. Also visit [forums.elationlighting.com](http://forums.elationlighting.com) with questions, comments or suggestions.

**ELATION SERVICE USA - Monday - Friday 8:00am to 4:30pm PST**  
323-582-3322 | Fax 323-832-9142 | [support@elationlighting.com](mailto:support@elationlighting.com)

**ELATION SERVICE EUROPE - Monday - Friday 08:30 to 17:00 CET**  
+31 45 546 85 63 | Fax +31 45 546 85 96 | [support@elationlighting.eu](mailto:support@elationlighting.eu)

**REPLACEMENT PARTS** please visit [parts.elationlighting.com](http://parts.elationlighting.com)



## IMPORTANT NOTICE!

**THERE ARE NO USER SERVICEABLE PARTS INSIDE THIS UNIT. DO NOT ATTEMPT ANY REPAIRS YOURSELF; DOING SO WILL VOID YOUR MANUFACTURES WARRANTY. DAMAGES RESULTING FROM MODIFICATIONS TO THIS FIXTURE AND/OR THE DISREGARD OF SAFETY INSTRUCTIONS AND GUIDELINES IN THIS MANUAL VOID THE MANUFACTURES WARRANTY AND ARE NOT SUBJECT TO ANY WARRANTY CLAIMS AND/OR REPAIRS.**

## **LIMITED WARRANTY (USA ONLY)**

A. Elation Professional hereby warrants, to the original purchaser, Elation Professional products to be free of manufacturing defects in material and workmanship for a period of two years (730 days), and Elation Professional product rechargeable batteries to be free of manufacturing defects in material and workmanship for a period of six months (180 days), from the original date of purchase. This warranty excludes discharge lamps and all product accessories. This warranty shall be valid only if the product is purchased within the United States of America, including possessions and territories. It is the owner's responsibility to establish the date and place of purchase by acceptable evidence, at the time service is sought. B. For warranty service, send the product only to the Elation Professional factory. All shipping charges must be pre-paid. If the requested repairs or service (including parts replacement) are within the terms of this warranty, Elation Professional will pay return shipping charges only to a designated point within the United States. If any product is sent, it must be shipped in its original package and packaging material. No accessories should be shipped with the product. If any accessories are shipped with the product, Elation Professional shall have no liability what so ever for loss and/or or damage to any such accessories, nor for the safe return thereof. C. This warranty is void if the product serial number and/or labels are altered or removed; if the product is modified in any manner which Elation Professional concludes, after inspection, affects the reliability of the product; if the product has been repaired or serviced by anyone other than the Elation Professional factory unless prior written authorization was issued to purchaser by Elation Professional; if the product is damaged because not properly maintained as set forth in the product instructions, guidelines and/or user manual. D. This is not a service contract, and this warranty does not include any maintenance, cleaning or periodic check-up. During the periods as specified above, Elation Professional will replace defective parts at its expense, and will absorb all expenses for warranty service and repair labor by reason of defects in material or workmanship. The sole responsibility of Elation Professional under this warranty shall be limited to the repair of the product, or replacement thereof, including parts, at the sole discretion of Elation Professional. All products covered by this warranty were manufactured after January 1, 1990, and bare identifying marks to that effect. E. Elation Professional reserves the right to make changes in design and/or performance improvements upon its products without any obligation to include these changes in any products theretofore manufactured. F. No warranty, whether expressed or implied, is given or made with respect to any accessory supplied with the products described above. Except to the extent prohibited by applicable law, all implied warranties made by Elation Professional in connection with this product, including warranties of merchantability or fitness, are limited in duration to the warranty periods set forth above. And no warranties, whether expressed or implied, including warranties of merchantability or fitness, shall apply to this product after said periods have expired. The consumer's and/or dealer's sole remedy shall be such repair or replacement as is expressly provided above; and under no circumstances shall Elation Professional be liable for any loss and/or damage, direct and/or consequential, arising out of the use of, and/or the inability to use, this product. G. This warranty is the only written warranty applicable to Elation Professional products and supersedes all prior warranties and written descriptions of warranty terms and conditions heretofore published.

### **WARRANTY RETURNS**

All returned service items whether under warranty or not, must be freight pre-paid and accompany a return authorization (R.A.) number. The R.A. number must be clearly written on the outside of the return package. A brief description of the problem as well as the R.A. number must also be written down on a piece of paper and included in the shipping container. If the unit is under warranty, you must provide a copy of your proof of purchase invoice. Items returned without a R.A. number clearly marked on the outside of the package will be refused and returned at customer's expense. You may obtain a R.A. number by contacting customer support. **ONLY** Use the original packaging and materials to transport the fixture in for service.

# SAFETY GUIDELINES

To guarantee a smooth operation, it is important to follow all instructions and guidelines in this manual. Elation Professional is not responsible for injury and/or damages resulting from the misuse of this device due to the disregard of the information printed in this manual. Only qualified and/or certified personnel should perform installation of this device. Any modifications to the device and/or the fixture it is installed in will void the original manufactures warranty and increase the risk of damage and/or personal injury.



**THERE ARE NO USER SERVICEABLE PARTS INSIDE THIS UNIT. DO NOT ATTEMPT ANY REPAIRS YOURSELF; DOING SO WILL VOID YOUR MANUFACTURES WARRANTY. DAMAGES RESULTING FROM MODIFICATIONS TO THIS DEVICE AND/OR THE DISREGARD OF SAFETY INSTRUCTIONS AND GUIDELINES IN THIS MANUAL VOID THE MANUFACTURES WARRANTY AND ARE NOT SUBJECT TO ANY WARRANTY CLAIMS AND/OR REPAIRS.**



**NEVER INSTALL/REMOVE GOBOS IN THE ROTATOR WHILE IN USE! UNPLUG ROTATOR POWER CABLE BEFORE DO SO! KEEP FLAMMABLE MATERIALS AWAY FROM THIS DEVICE!**

**DO NOT TOUCH** the device during operation. Turn OFF the power before replacing gobos. **DO NOT** shake device, avoid brute force when installing and/or operating device. **DO NOT** operate device if the included power/data cable is frayed, crimped, damaged and/or if any of the cable connectors are damaged and do not insert into the device securely with ease. **NEVER** force the power/data connector into the device and/or fixture. If the power/data cable or any of its connectors are damaged, replace the cable.

# MAINTENANCE GUIDELINES



**DISCONNECT POWER BEFORE PERFORMING ANY MAINTENANCE!**

## CLEANING

Frequent cleaning is recommended to insure proper function and an extended life. The frequency of cleaning depends on the environment in which the device operates: damp, smoky or particularly dirty environments can cause greater accumulation of dirt on the device. Clean the device surface at least every 20 days with a soft cloth to avoid dirt/debris accumulation. **NEVER** use alcohol, solvents, or ammonia-based cleaners.

## MAINTENANCE

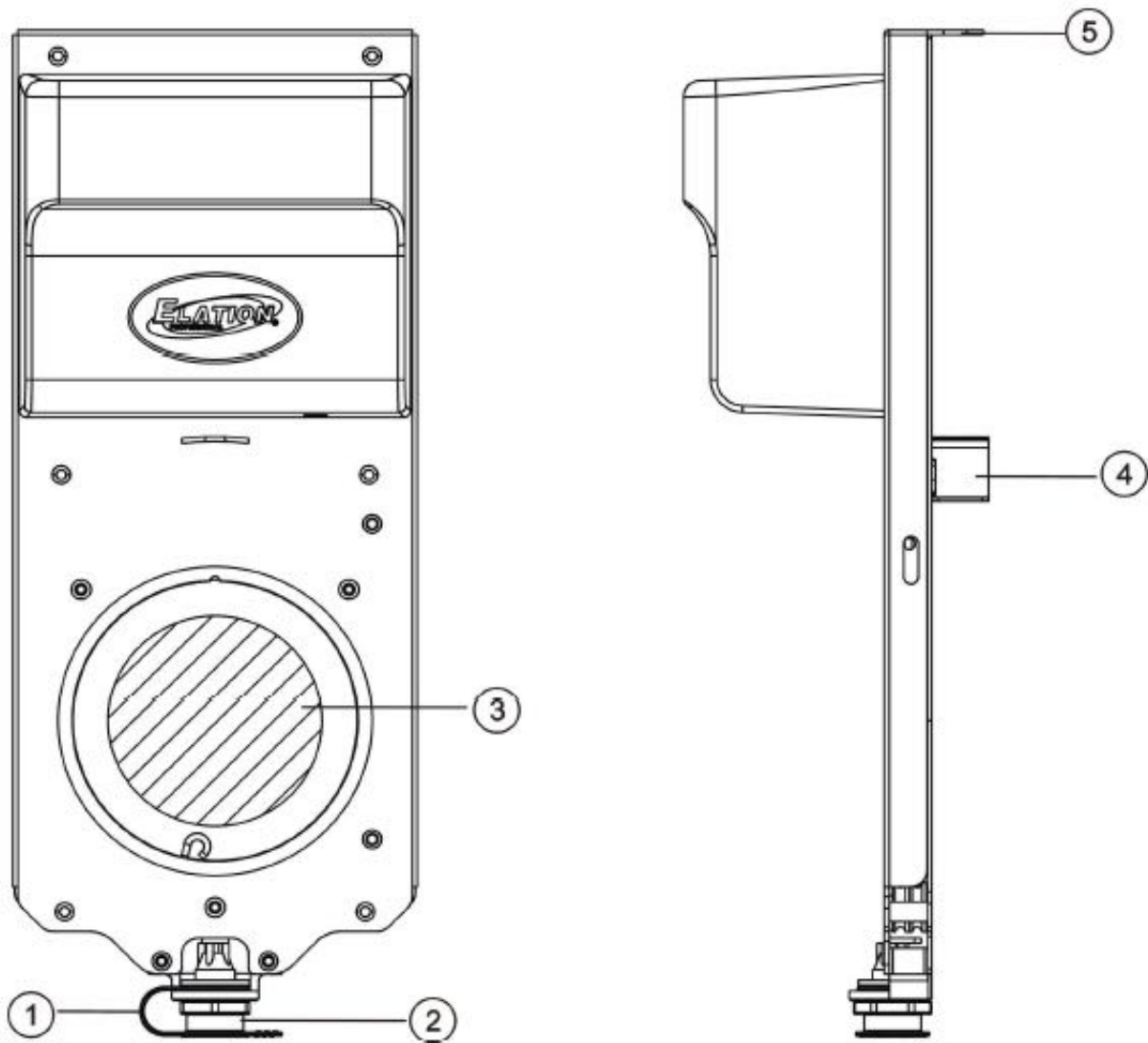
Regular inspections are recommended to insure proper function and extended life. There are no user serviceable parts inside this device, please refer all other service issues to an authorized Elation service technician. Should you need any spare parts, please order genuine parts from your local Elation dealer.

Please refer to the following points during routine inspections:

A detailed electric check by an approved electrical engineer every three months, to make sure the circuit contacts are in good condition and prevent overheating.

Be sure all screws and fasteners are securely tightened at all times. Loose screws may fall out during normal operation resulting in damage or injury as larger parts could fall.

# DEVICE OVERVIEW



1. IP65 Power/Data Connection Cover
2. Power/Data Fixture Linking Connection
3. B-Size 86mm Metal Gobo
4. Fixture Light Shield
5. Safety Cable Attachment Point (secure rotator to fixture)



# INSTALLATION GUIDELINES

## IP65 RATED

An IP rated lighting device is one, which is commonly installed in outdoor environments and has been designed with an enclosure that effectively protects the ingress (entry) of external foreign objects such as dust and water. The **International Protection (IP)** rating system is commonly expressed as "**IP**" (Ingress Protection) followed by two numbers (i.e. IP65) where the numbers define the degree of protection. The first digit (Foreign Bodies Protection) indicates the extent of protection against particles entering the device and the second digit (Water Protection) indicates the extent of protection against water entering the device. An IP65 rated device is one, which has been designed and tested to protect against the ingress of dust (6) and high-pressure water jets from any direction (5).

## MARINE/COASTAL ENVIRONMENT INSTALLATIONS

Please note although this device is IP rated, the device is **NOT** suitable for marine and/or coastal environment installations. Installing this device in a marine and/or coastal environment may cause corrosion and/or excessive wear to the interior and/or exterior components of the device. Damages and/or performance issues resulting from installation in a marine and/or coastal environment will void the manufactures warranty and will **NOT** be subject to any warranty claims and/or repairs.



### **FLAMMABLE MATERIAL WARNING**

Keep device minimum 5.0 feet (1.5m) away from flammable materials and/or pyrotechnics.



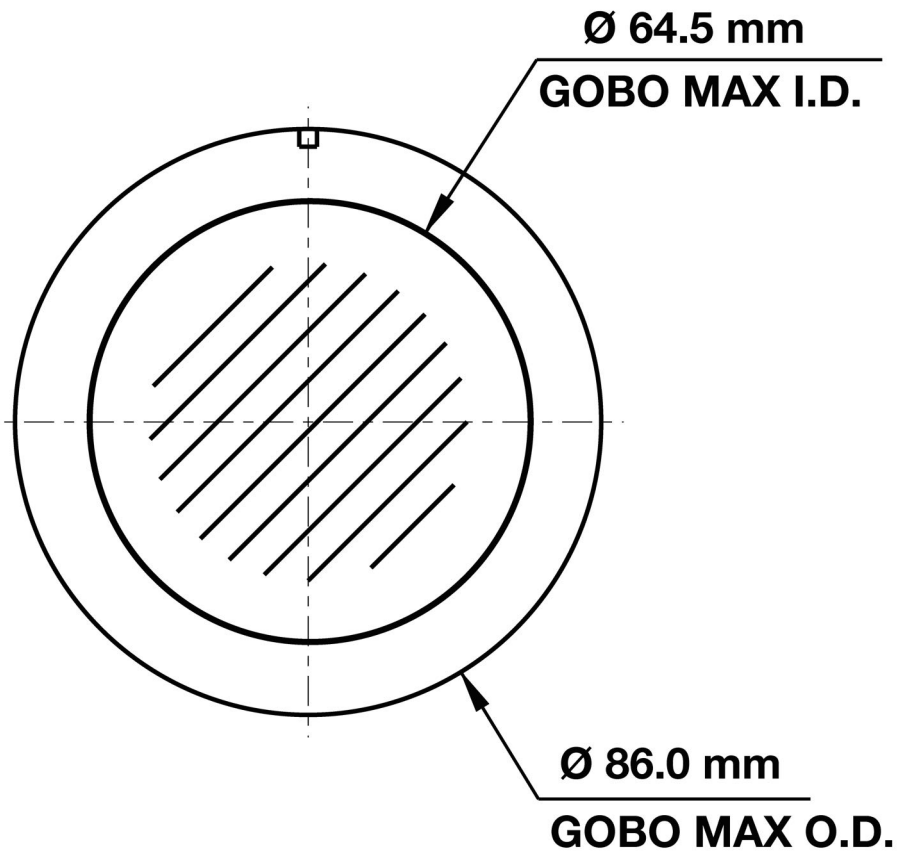
### **ELECTRICAL CONNECTIONS**

A qualified electrician should be used for all electrical connections and/or installations.



**DO NOT INSTALL DEVICE IF YOU ARE NOT QUALIFIED TO DO SO!**

# GOBO DIMENSIONS



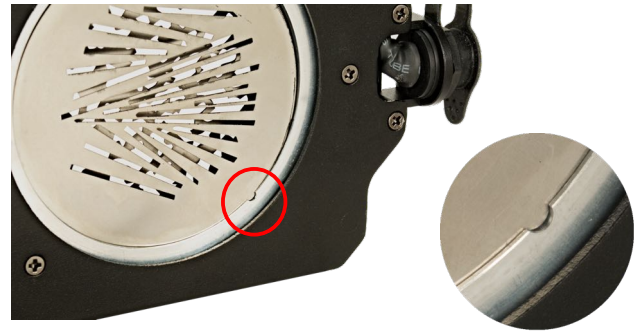
# GOBO INSTALLATION



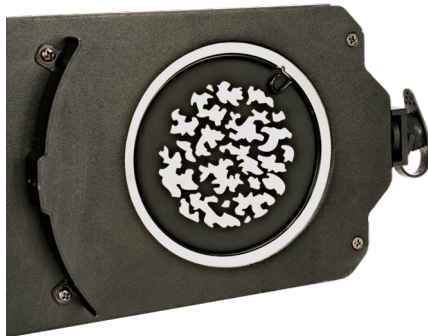
**FRONT  
GOBO**



1. Remove FRONT GOBO retainer-clip.



2. Remove included FRONT GOBO. Replace with desired GOBO, aligning the GOBO tab (if included) into the holder notch. Install FRONT GOBO retainer-clip securely.



**REAR  
GOBO**



3. Remove REAR GOBO retainer-clip.



4. Remove included REAR GOBO. Replace with desired GOBO, aligning the GOBO tab (if included) into the holder notch. Install REAR GOBO retainer-clip securely.

**IF GOBO HAS BLACK HEAT COATING, FACE THIS SIDE TOWARDS THE LED!**

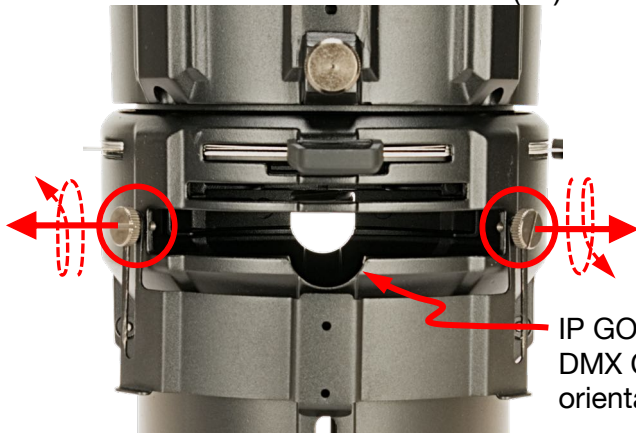
# ROTATOR INSTALLATION



1. Power **CW/WW PROFILE HP IP** fixture OFF and place on a flat stable surface.



2. Loosen GOBO slot cover screws (x2) on top of the fixture and slide open.

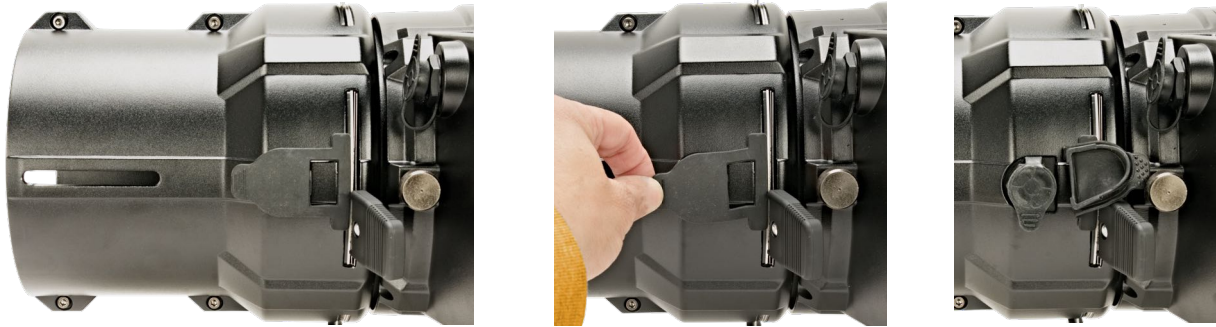


IP GOBO Rotator  
DMX Connection  
orientation slot

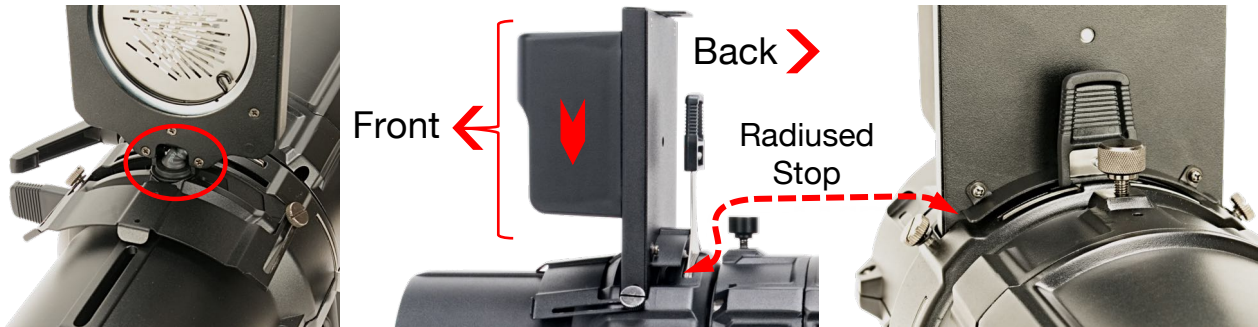


If the slot cover screws interfere with rotator installation, it may be necessary to temporarily remove them for installation. Replace them after rotator installation.

# ROTATOR INSTALLATION



3. Remove rubber cover from the bottom of the fixture.



4. Position the rotator housing facing the front of the profile fixture, then install it into the GOBO slot. Make sure it is fully seated and the rear radiused stop is flush with the fixture shroud surface. Secure the 2 screws on fixture top GOBO slot cover.



5. Remove the IP65 rubber covers of the 5pin power/data linking connection on the bottom of the rotator and on the profile fixture.



6. Connect the included 5pin power/data linking cable.

# ROTATOR INSTALLATION

## SAFETY CABLE

The ROTATOR includes an integrated safety cable rigging point. (See image below.)



**ALWAYS ATTACH INCLUDED SAFETY CABLE FROM THE ROTATOR TO THE MOUNTING YOKE TO ENSURE THE ROTATOR WILL NOT FALL**

Fasten the carabiner of the included safety cable to the rigging point on the rotator.



Wrap the safety cable through and around the Mounting Yoke of the profile fixture.



Fasten the safety cable loop to the carabiner.



# DMX CONTROL

MODE / CHANNEL			VALUE	FUNCTION
3CH	6CH	8CH		
2	2	3		<b>GOBO ROTATOR</b>
			0-127	GOBO Indexing
			128-189	Clockwise Rotation FAST to SLOW
			190-193	NO Rotation
			194-255	Counter-Clockwise Rotation SLOW to FAST

# **S P E C I F I C A T I O N S**

## **GOBO SIZE**

B-Size Metal OD 86mm | ID 64.5mm

Holds (2) Gobos

## **CONTROL / CONNECTION**

Bi-Directional Variable Speed Counter-Rotation and Full Indexable via DMX

5pin Power/Data (rotator to fixture proprietary linking cable included)

## **SIZE / WEIGHT**

Length: 4.8" (121mm)

Width: 3.5" (89.7mm)

Vertical Height: 12.0" (306mm)

Weight: 2.0 lbs. (0.9 kg)

## **APPROVALS / RATINGS**

CE | IP65

**Specifications and improvements in the design of this unit and this manual are subject to change without any prior written notice.**

## **FCC STATEMENT**

This device complies with Part 15 of the FCC Rules. Operation is subject to the following two conditions: (1) this device may not cause harmful interference, and (2) this device must accept any interference received, including interference that may cause undesired operation.

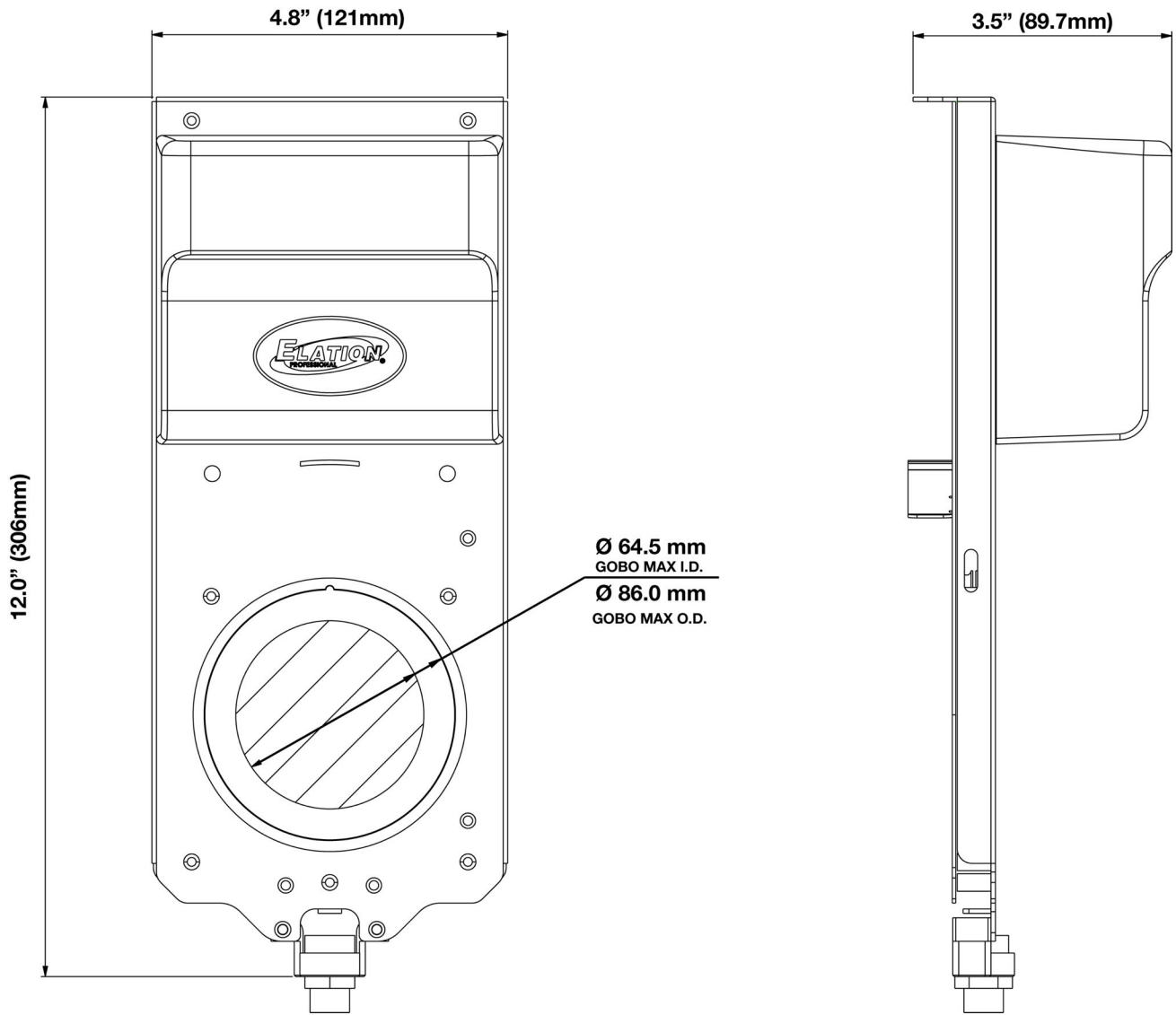
## **FCC RADIO FREQUENCY INTERFERENCE WARNINGS & INSTRUCTIONS**

This product has been tested and found to comply with the limits as per Part 15 of the FCC Rules. These limits are designed to provide reasonable protection against harmful interference in a residential installation. This device uses and can radiate radio frequency energy and, if not installed and used in accordance with the included instructions, may cause harmful interference to radio communications. However, there is no guarantee that interference will not occur in a particular installation. If this device does cause harmful interference to radio or television reception, which can be determined by turning the device off and on, the user is encouraged to try to correct the interference by one or more of the following methods:

- Reorient or relocate the device.
- Increase the separation between the device and the receiver.
- Connect the device to an electrical outlet on a circuit different from which the radio receiver is connected.
- Consult the dealer or an experienced radio/TV technician for help.



## DIMENSIONAL DRAWINGS



Specifications and improvements in the design of this unit and this manual are subject to change without any prior written notice.

