



# RAYZOR Q12 ZOOM™

SKU# RAY524

The new Rayzor Q12 Zoom™ is a compact and fast wash illuminare featuring (12) 15W Quad Color RGBW LEDs, 13° to 29° motorized zoom, RGBW color mixing and color macros, variable color temperatures (2,700K - 8,000K) and dimming modes, multiple pixel zone control and chase effects, 16bit 3-phase motors, 5pin DMX and powerCON in/out connections, RDM (remote device management), flicker free operation for broadcast TV and FILM, (6) button control full color 180° reversible menu display, 260W max power consumption, and a multi-voltage universal auto switching power supply (100-240v).

## FEATURES

**Compact and Fast Zoom Wash LED Illuminare**

**(12) 15W Quad Color RGBW LEDs**

**100,000 Average Hour LED Life**

**13° to 29° Motorized Zoom**

**RGBW Color Mixing and Color Macros**

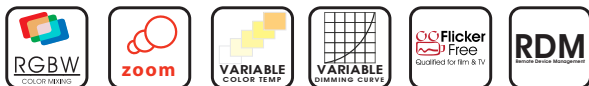
**Variable Color Temperatures (2,700K - 8,000K)**

**Variable Dimming Modes**

**Multiple Pixel Zone Control and Chase Effects**

**RDM - Remote Device Management**

**Flicker Free Operation for Broadcast TV and FILM**



ELATION | RAYZOR Q12 ZOOM™ | Product Specification Sheet

Specifications are subject to change without notice ©Elation Professional

Elation Professional USA | 6122 S. Eastern Ave. | Los Angeles, CA. 90040  
323-582-3322 | 323-832-9142 fax | www.elationlighting.com | info@elationlighting.com

Elation Professional B.V. | Junostraat 2 | 6468 EW Kerkrade, Netherlands  
+31 45 546 85 66 | +31 45 546 85 96 fax | www.elationlighting.eu | info@elationlighting.eu

**PRODUCT SPECIFICATIONS**

**FEATURES**

Compact and Fast Zoom Wash LED Illuminare  
 13° - 29° Motorized Zoom  
 RGBW Color Mixing and Color Macros  
 Variable Color Temperatures (2,700K - 8,000K)  
 Variable Dimming Modes  
 Multiple Pixel Zone Control and Chase Effects  
 RDM - Remote Device Management  
 Flicker Free Operation for Broadcast TV and FILM

**SOURCE**

(12) 15W Quad Color RGBW LEDs  
 100,000 Hour Average LED Life

**PHOTOMETRIC DATA**

Distance @8.2 ft (2.5m)  
 5,680 LUX 528 FC (13° Min Zoom Full ON)  
 3,200 LUX 297 FC (13° Min Zoom WHITE LEDs Full ON)  
 806 LUX 75 FC (29° Max Zoom Full ON)  
 470 LUX 44 FC (29° Max Zoom WHITE LEDs Full ON)

**EFFECTS**

Multiple Pixel Zone Control  
 Color Macro and Chase Effects  
 Strobe: 1-18fps  
 Dimming: 0% - 100%  
 Variable Dimming Modes

**COLOR**

RGBW Color Mixing  
 Variable Color Temperatures (2,700K - 8,000K)

**CONTROL / CONNECTIONS**

(3) DMX Channel Modes (17 / 20 / 28)  
 RDM (Remote Device Management)  
 6 Button Touch Control Panel  
 Full Color 180° Reversible LCD Menu Display  
 16 Bit 3-Phase Motors  
 8 / 16 Bit Resolution Adjustable Movement  
 5pin DMX In/Out  
 powerCON Power In/Out

**SIZE / WEIGHT**

Length: 11.9" (302mm)  
 Width: 8.4" (214mm)  
 Vertical Height: 17.1" (434)  
 Weight: 23.0 lbs. (10.4 kg)

**ELECTRICAL / THERMAL**

AC 100-240V - 50/60Hz  
 200W Max Power Consumption  
 -13°F to 113°F (-25°C to 45°C)

**APPROVALS / RATINGS**

IP20 Rated

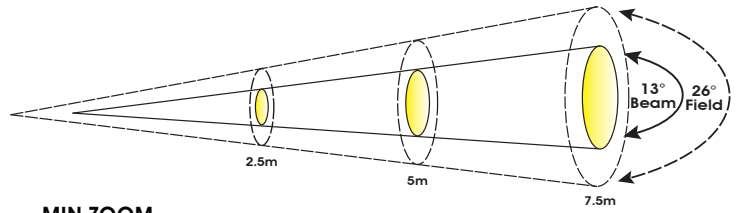
**INSTALLATION**

Rigging: Clamps (Not Included)  
 Working Position: Flat Surface / Inverted (180°)

**INCLUDED ITEMS**

- (2) Omega Brackets
- (1) 5pin DMX Cable
- (1) Safety Cable
- (1) powerCON Cable

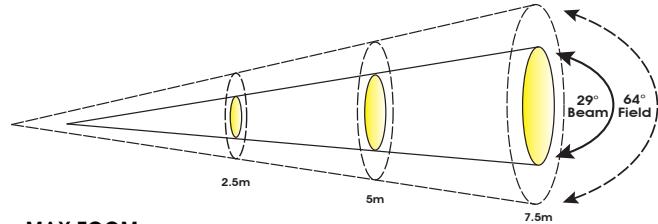
**PHOTOMETRIC DATA**



**MIN ZOOM**

Distance	m 2.5	ft 8.2	m 5	ft 16.4	m 7.5	ft 24.6
13° Beam Diameter	0.55	1.8	1.1	3.6	1.65	5.4
26° Field Diameter	1.15	3.8	2.3	7.5	3.45	11.3

Photometrics	lux	fc	lux	fc	lux	fc
RED LEDs	1,150	107	345	32	153	14
GREEN LEDs	2,650	246	730	68	327	30
BLUE LEDs	250	23	73	7	36	3
WHITE LEDs	3,200	297	871	81	390	36
FULL ON	5,680	528	1,477	137	660	61

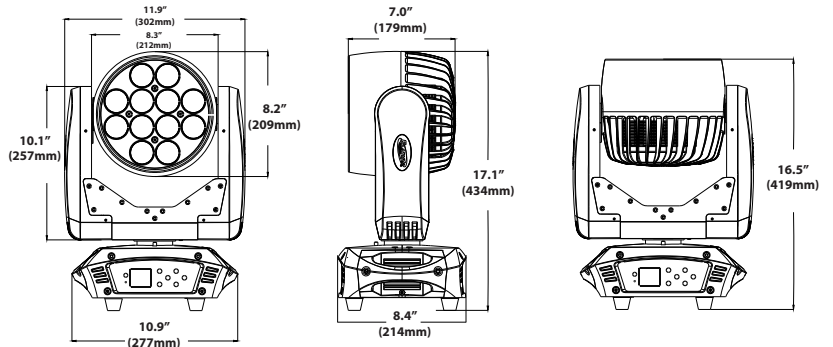


**MAX ZOOM**

Distance	m 1	ft 3.3	m 2	ft 6.6	m 3	ft 9.8
29° Beam Diameter	1.3	4.3	2.6	8.5	3.9	12.8
64° Field Diameter	3.1	10.2	6.2	20.3	9.3	30.5

Photometrics	lux	fc	lux	fc	lux	fc
RED LEDs	173	16	45	4	21	2
GREEN LEDs	389	36	101	9	48	4
BLUE LEDs	43	4	11	1	6	1
WHITE LEDs	470	44	120	11	57	5
FULL ON	806	75	210	20	99	9

**DIMENSIONAL DIAGRAMS**



**OPTIONAL ACCESSORIES**

ORDER CODE	ITEM
TRIGGER CLAMP	Heavy Duty Wrap Around Hook Style Clamp
** pending **	Road Case For Rayzor Q12 Zoom™
ELO211	Eloader II™ Software Updater Box
EWDMSYSTEM	Wireless DMX System (1 Transmitter, 1 Receiver)
EWDMXT	Wireless DMX Transmitter
EWDMXR	Wireless DMX Receiver
AC3PDMX5PRO	5 ft. (1.5m) 5pin PRO DMX Cable
AC5PDMX10PRO	10 ft. (3m) 5pin PRO DMX Cable
AC5PDMX15PRO	15 ft. (4.5m) 5pin PRO DMX Cable
AC5PDMX25PRO	25 ft. (7.5m) 5pin PRO DMX Cable



Specifications are subject to change without notice ©Elation Professional

Elation Professional USA | 6122 S. Eastern Ave. | Los Angeles, CA. 90040  
 323-582-3322 | 323-832-9142 fax | www.elationlighting.com | info@elationlighting.com

Elation Professional B.V. | Junostraat 2 | 6468 EW Kerkrade, Netherlands  
 +31 45 546 85 66 | +31 45 546 85 96 fax | www.elationlighting.eu | info@elationlighting.eu