

Design LED 70 Brick Dimensions

The **DESIGN BRICK 70** is a incredible powerful L.E.D. fixture offering amazing color mixing possibilities. With its additional white and amber L.E.D.s, any color with individual saturation and brightness can be set up. Even pastel colors or warm white or very warm yellow and orange colors can be achieved easily, always maintaining a perfect color mix in the beam with high light output. The Design Brick 70 is rated at IP 20, designed for indoor applications only. The unit can be operated from 100~240V and control data input is via 3 pin or 5 pin DMX data first in and out connector cables. The Design Brick 70 also features low power consumption, minimal heat emission and flicker-free operation for television and film. The unit also features single cell control and an LCD display menu. The unit comes fitted standard with a 25° lens kit with available optional 15° and 40° lens kits.

FEATURES

- 210 Watt RGBWA LED BAR
- 70 x 3W SSC L.E.D.s (= 210 W Power)
- Single cell control
- RGB + white + amber
- Beam Angle: 16° (lens 25°)
- Field Angle: 35° (lens 25°)
- Optional Beam Angles:
 - Beam Angle: 10° (lens 15°)
 - Field Angle: 26° (lens 15°)
 - Beam Angle: 20° (lens 40°)
 - Field Angle: 47° (lens 40°)
- Extreme Light output
- Built-in macros + effects
- LCD display menu setup
- 5 DMX channel operation modes available
- Red, Green, Blue, White, Amber
- Unlimited Color Mixing possibilities
- Digital LCD Display
- Flicker free
- 7 Cell Pixel Control
- 4 DMX Modes - HSIC, RGBAW, Pixel, Individual
- Built In Macro Programs / Effects
- 100-240V AC Multi Voltage PSU built in
- cETLus pending

TECHNICAL SPECIFICATIONS

- **DMX Channels:** 4, 5, 8, 11 or 35 channel operation modes
- **Control:** 3 pin or 5pin DMX in/out
- **Dimmer:** Continuous dimming 0-100%
- **Strobe:** Electronic strobe effect (25 fps)
- **Lux @ 3m:** R:480(25°) G:797(25°) B:208(25°) W:805(25°) A:664(25°) F:2820(25°)
- **IP Rating:** IP20
- **Power Supply:** 100-240V AC, 50/60Hz
- **Power Consumption:** 250W
- **Fuse:** 5T/3.15A
- **Lamp:** 12 x 3 Watt led's by Seoul Semi Conductor 36-Watt Total (4 x Red, 4 x Green 4 x Blue)
- **Lamp life:** 70 x 3W SSC L.E.D.s (= 210 W Power) rated at 100,000 Hours
- **Dimensions:** (LxWxH): 24" x 9.45" x 17" / 610 x 240 x 440mm
- **Weight:** 17.6 lbs. / 8 kgs.
- **Rigging:** Integrated Floor Stand / Yoke bracket

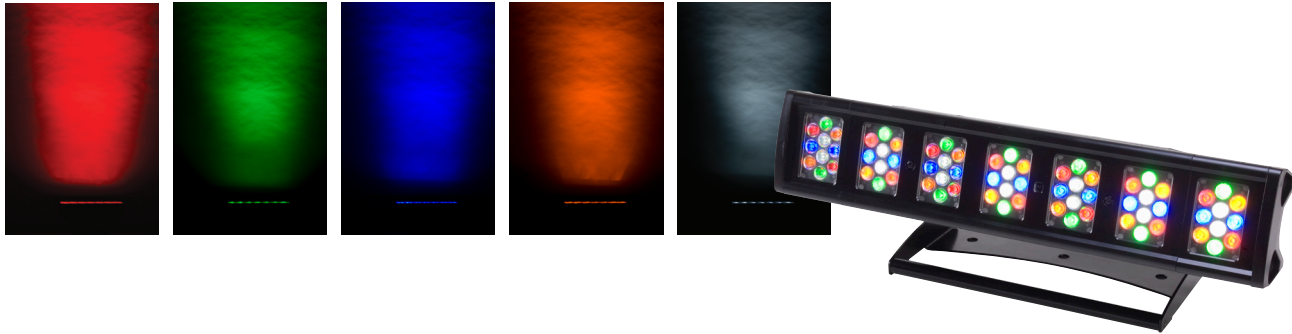


Design Brick 70



COLORS

- 210 Watt RGBWA LED BAR
- 70 x 3W SSC L.E.D.s (= 210 W Power)
- 14 Red, 14 Green, 14 Blue, 14 White, 14 Amber LEDs
- Unlimited Color Mixing possibilities



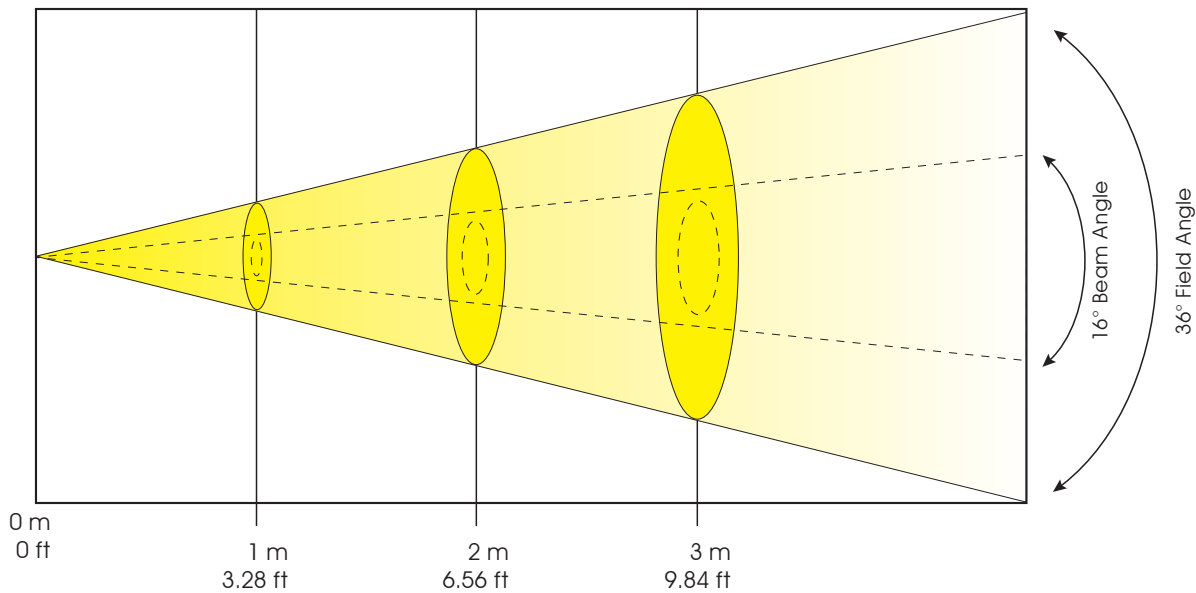
PHOTOMETRICS

Design Brick 70 Photometric Beam Angle Data

Standard 25° Lens: 16° Beam Angle, 36° Field Angle

LUX x 0.0929 = FC

R (14)	250 FC / 2,686 LUX	81 FC / 870 LUX	40 FC / 434 LUX
G (14)	512 FC / 5,514 LUX	185 FC / 1,996 LUX	92 FC / 988 LUX
B(14)	106 FC / 1,140 LUX	40 FC / 430 LUX	21 FC / 222 LUX
W (14)	444 FC / 4,782 LUX	161 FC / 1,732 LUX	79 FC / 855 LUX
A(14)	367 FC / 3,947 LUX	137 FC / 1,471 LUX	68 FC / 733 LUX
RGBWA (70)	1,464 FC / 15,760 LUX	547 FC / 5,890 LUX	271 FC / 2,913 LUX



Beam Diameter

16° Beam Angle	Ø .28 m / Ø .92 ft	Ø .58 m / Ø 1.9 ft	Ø .84 m / Ø 2.8 ft
36° Field Angle	Ø .65 m / Ø 2.1 ft	Ø 1.3 m / Ø 4.3 ft	Ø 1.95 m / Ø 6.4 ft

DMX TRAITS

4 Channel Mode:

Channel	Value	Function
1	0 - 34	Red - Amber
	35 - 77	Amber - Green
	78 - 163	Green - Blue
	164 - 255	Blue - Red
2	0 - 255	0 - full saturation
3	0 - 255	Intensity
4	0 - 255	Color temperature

35 Channel Mode:

Channel	Value	Function
1 - 35	0 - 255	Dimming (0-Black, 255- 100%)

5 Channel Mode:

Channel	Value	Function
1	0 - 255	Red (0 - black, 255 - 100% red)
2	0 - 255	Green (0 - black, 255 - 100% green)
3	0 - 255	Blue (0 - black, 255 - 100% blue)
4	0 - 255	Amber (0 - black, 255 - 100% amber)
5	0 - 255	White (0 - black, 255 - 100% white)

8 Channel Mode:

Channel	Value	Function
1	0 - 255	Red (0 - black, 255 - 100% red)
2	0 - 255	Green (0 - black, 255 - 100% green)
3	0 - 255	Blue (0 - black, 255 - 100% blue)
4	0 - 255	Amber (0 - black, 255 - 100% amber)
5	0 - 255	White (0 - black, 255 - 100% white)
6	0 - 255	Internal Programs
7	0 - 255	Strobe
8	0 - 255	Dimmer/Speed

11 Channel Mode:

Channel	Value	Function
1	0 - 255	Red (0 - black, 255 - 100% red)
2	0 - 255	Green (0 - black, 255 - 100% green)
3	0 - 255	Blue (0 - black, 255 - 100% blue)
4	0 - 255	Amber (0 - black, 255 - 100% amber)
5	0 - 255	White (0 - black, 255 - 100% white)
6	0 - 34	Red - Amber
	35 - 77	Amber - Green
	78 - 163	Green - Blue
	164 - 255	Blue - Red
7	0 - 255	0 - full saturation
8	0 - 255	Color temperature
9	0 - 255	Internal Programs
10	0 - 255	Strobe
11	0 - 255	Dimmer/Speed