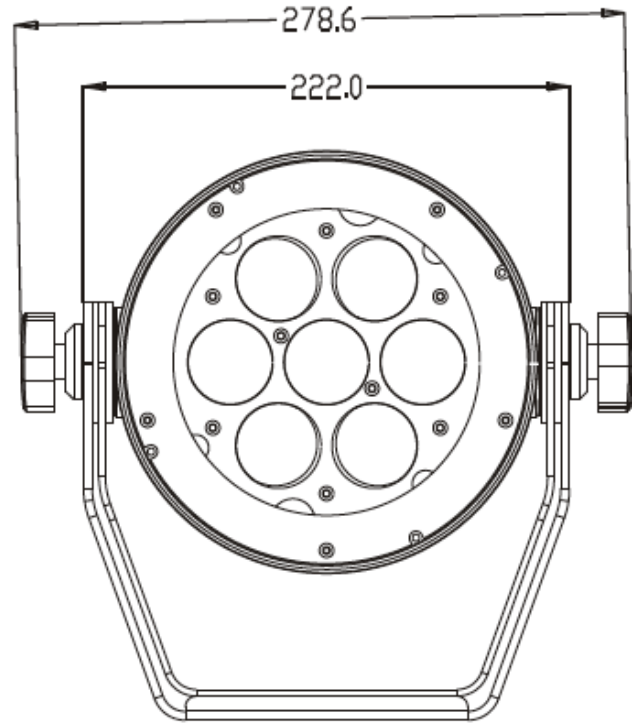
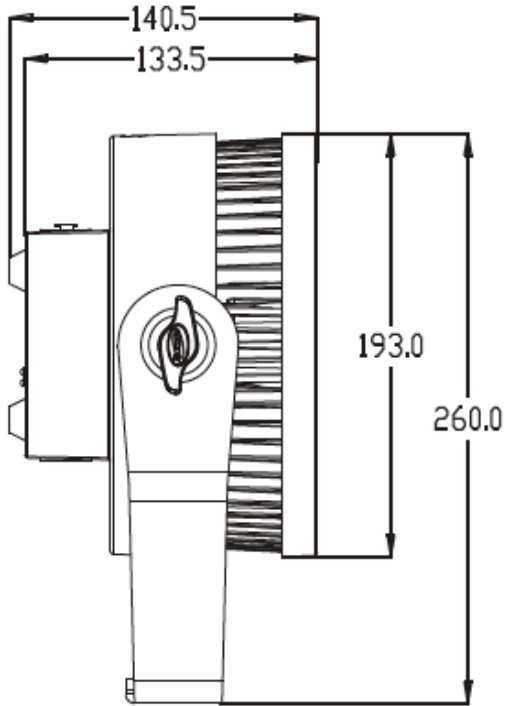


LEVEL Q7™

SKU# LEV054

Dimensional Drawings (millimeters)

Specifications and improvements in the design of this unit are subject to change without any prior written notice.



ELATION | LEVEL Q7™ | dimensional drawings

Elation Professional USA | 6122 S. Eastern Ave. | Los Angeles, CA. 90040

323-582-3322 | 323-832-9142 fax | www.elationlighting.com | info@elationlighting.com

Elation Professional B.V. | Junostraat 2 | 6468 EW Kerkrade, Netherlands

+31 45 546 85 66 | +31 45 546 85 96 fax | www.elationlighting.eu | info@elationlighting.eu