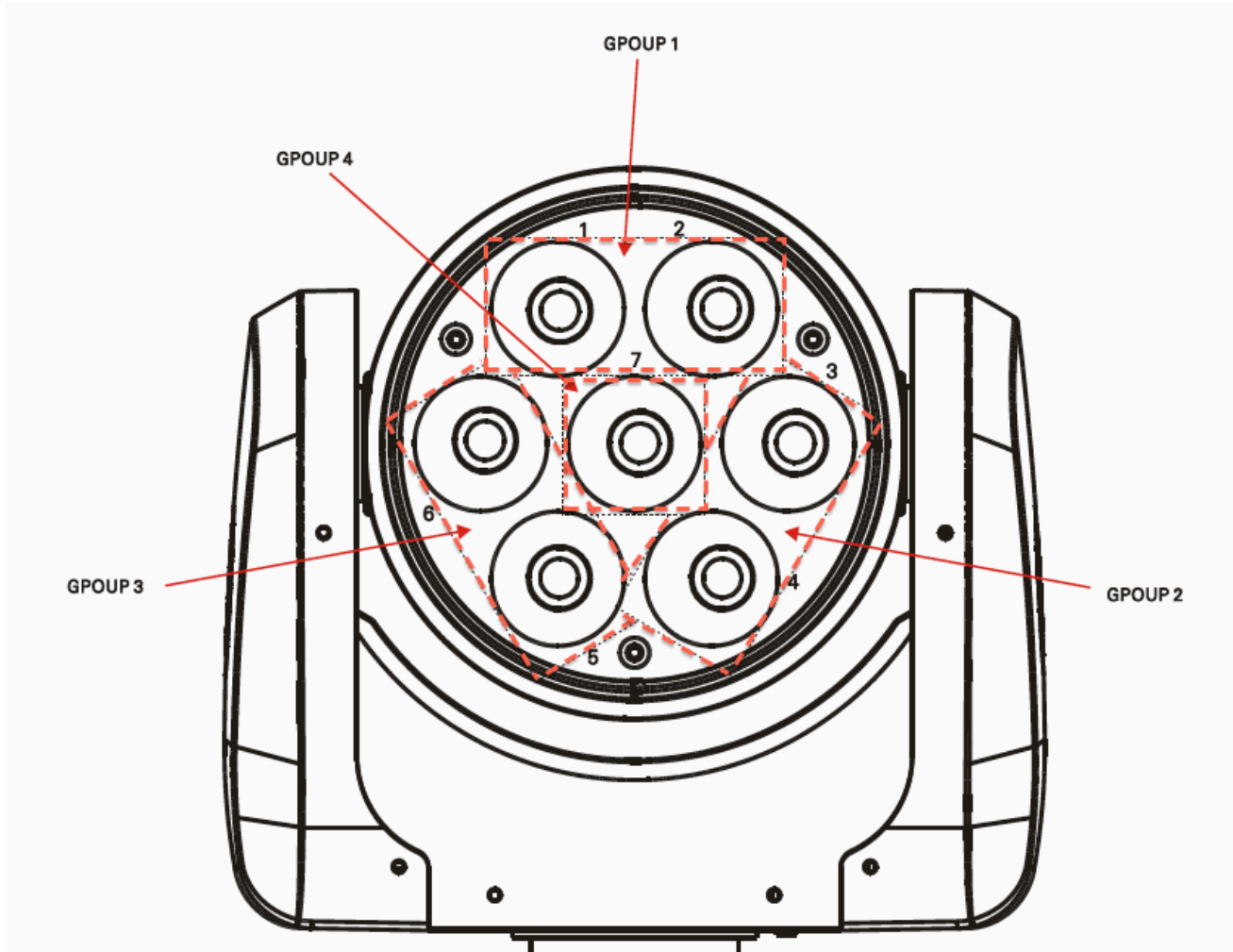


Mode/Channel			Value	Function
STAND	BASIC	EXTEND		
1	1	1		<b>PAN MOVEMENT [8 Bit]</b>
			0-255	PAN Movement
2		2		<b>PAN MOVEMENT [16 Bit]</b>
			0-255	Fine Control Of PAN Movement
3	2	3		<b>TILT MOVEMENT [8 Bit]</b>
			0-255	TILT Movement
4		4		<b>TILT MOVEMENT [16 Bit]</b>
			0-255	Fine Control Of TILT Movement
5	3	5		<b>SPEED PAN/TILT MOVEMENT</b>
			0-225	Max To Min Speed
			226-235	Blackout By Movement
			236-255	NO Function
6	4			<b>RED LED - All Groups [1-4]</b>
			0-255	Red (0-Black - 255-100%)
7	5			<b>GREEN LED - All Groups [1-4]</b>
			0-255	Red (0-Black - 255-100%)
8	6			<b>BLUE LED - All Groups [1-4]</b>
			0-255	Red (0-Black - 255-100%)
9	7			<b>WHITE LED - All Groups [1-4]</b>
			0-255	Red (0-Black - 255-100%)



Mode/Channel			Value	Function
STAND	BASIC	EXTEND		
		13		<b>RED LED - Group [1]</b>
			0-255	Red (0-Black - 255-100%)
		14		<b>GREEN LED - Group [1]</b>
			0-255	Red (0-Black - 255-100%)
		15		<b>BLUE LED - Group [1]</b>
			0-255	Red (0-Black - 255-100%)
		16		<b>WHITE LED - Group [1]</b>
			0-255	Red (0-Black - 255-100%)
		17		<b>RED LED - Group [2]</b>
			0-255	Red (0-Black - 255-100%)
		18		<b>GREEN LED - Group [2]</b>
			0-255	Red (0-Black - 255-100%)
		19		<b>BLUE LED - Group [2]</b>
			0-255	Red (0-Black - 255-100%)
		20		<b>WHITE LED - Group [2]</b>
			0-255	Red (0-Black - 255-100%)
		21		<b>RED LED - Group [3]</b>
			0-255	Red (0-Black - 255-100%)
		22		<b>GREEN LED - Group [3]</b>
			0-255	Red (0-Black - 255-100%)
		23		<b>BLUE LED - Group [3]</b>
			0-255	Red (0-Black - 255-100%)
		24		<b>WHITE LED - Group [3]</b>
			0-255	Red (0-Black - 255-100%)
		25		<b>RED LED - Group [4]</b>
			0-255	Red (0-Black - 255-100%)
		26		<b>GREEN LED - Group [4]</b>
			0-255	Red (0-Black - 255-100%)
		27		<b>BLUE LED - Group [4]</b>
			0-255	Red (0-Black - 255-100%)
		28		<b>WHITE LED - Group [4]</b>
			0-255	Red (0-Black - 255-100%)
				<b>SHUTTER, STROBE</b>
			0-31	Shutter CLOSED
			32-63	No Function (Shutter OPEN)
			64-95	Strobe Effect SLOW to FAST
			96-127	No function (Shutter OPEN)
			128-159	Pulse Effect In Sequences
			160-191	No Function (Shutter OPEN)
			192-223	Random Strobe Effect SLOW to FAST
			224-255	No Function (Shutter Open)
				<b>DIMMER INTENSITY</b>
			0-255	Intensity 0 to 100%
				<b>COLOR MACRO</b>
			0-7	No Function
			8-255	Color Rainbow Slow To Fast
				<b>COLOR PRESETS</b>
			0-10	NO Function
			11-20	White 2700k
			21-30	White 3200k
			31-40	White 4300k
			41-50	White 5600k
			51-60	White 6500k
			61-70	White 8000k
			71-100	Blue/Red
			101-130	Blue/Green
			131-160	Green/Red
			161-190	Red/Blue
			191-220	Green/Blue
			221-255	Red/Green

Mode/Channel			Value	Function
STAND	BASIC	EXTEND		
14	12	10		<b>COLOR MODE</b>
			0-255	NO Function
				Edit A New White Balance
			0-255	Store A New White Balance
15	13	11		<b>CHASE MACROS</b>
			0-10	LED OFF
			11-40	Chase Macro 1
			41-70	Chase Macro 2
			71-100	Chase Macro 3
			101-130	Chase Macro 4
			131-160	Chase Macro 5
			161-190	Chase Macro 6
			191-220	Chase Macro 7
			221-255	Chase Macro 8
16	14	12		<b>CHASE SPEED</b>
			0-255	Fast To Slow
17	15	29		<b>RESET INTERNAL PROGRAMS</b>
			0-79	Normal
			80-84	All Motor Reset
			85-87	NO Function
			88-90	NO Function
			91-93	Store White Balance Enabled
			94-96	NO Function
			97-99	NO Function
			100-119	Internal Program 1 (Scene 1 - 8 OF EEPROM)
			120-139	Internal Program 2 (Scene 9 - 16 OF EEPROM)
			140-159	Internal Program 3 (Scene 17 - 24 OF EEPROM)
			160-179	Internal Program 4 (Scene 25 - 32 OF EEPROM)
			180-199	Internal Program 5 (Scene 33 - 40 OF EEPROM)
			200-219	Internal Program 6 (Scene 41 - 48 OF EEPROM)
			220-239	Internal Program 7 (Scene 49 - 56 OF EEPROM)
240-255	Music Control (Scene Of Program 1)			