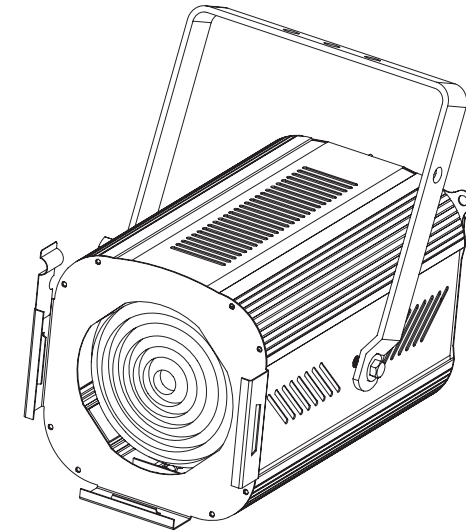
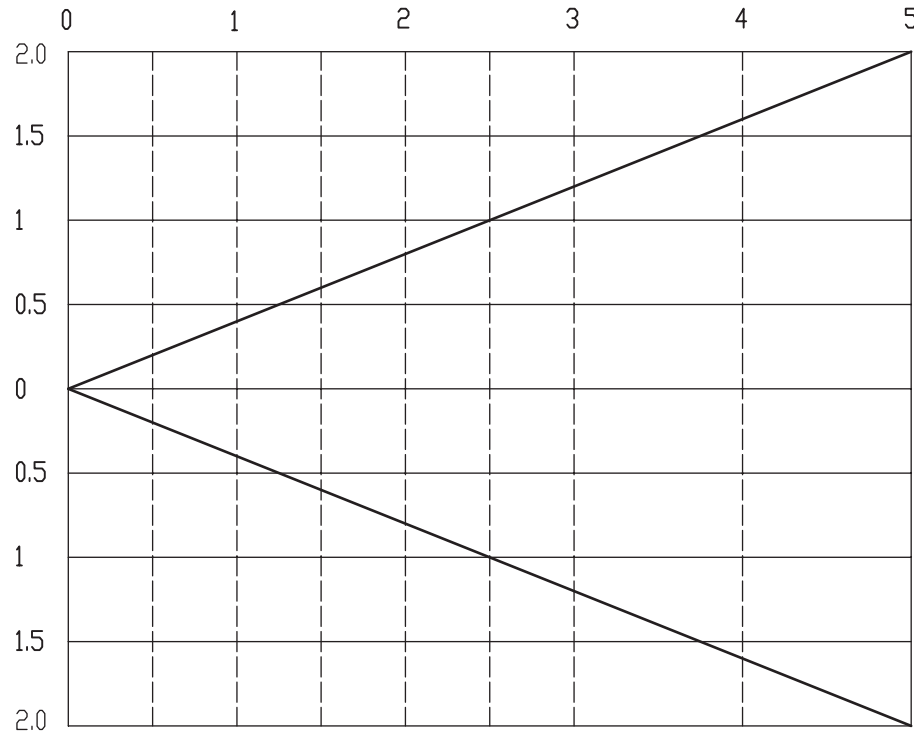


Elation - ELED Fresnel - Photometric Data



	1m	2m	3m	4m	5m	
White 6000K	2510	1640	360	178	108	LUX
Dia.	1.04	1.75	2.50	3.25	4.00	m

Test Condition:

1. LED is 50W 6000K white
2. Lens: dia. 150
3. Test the whole unit;

