



PRO FS 15R FOLLOWSPOT™

SKU# PFS001

The new PRO FS 15R™ is a high output medium throw followspot featuring the Phillips™ MSD Platinum 15R lamp, 2,000 hour average lamp life, 13,500 total lumens with 5° to 10° manual zoom, (5) dichroic colors including CTB and white, (4) manual gel frame holders, 0-100% smooth dimming, manual iris, frost, and framing effects, variable color temperature settings (3,200K - 6,800K), powerCON in, (6) button (2) fader control panel, 400W max power consumption, a multi-voltage universal auto switching power supply (100-240v), and included tripod stand and road case.

FEATURES

Phillips™ Platinum MSD 15R 300W 13,500 Total Lumens

10,7700 LUX 1,001 FC @32.8 ft (10m) (6° Full On)

5° - 10° Manual Zoom and Focus

(5) Dichroic Colors Including CTB plus White

(4) Manual Gel Frame Holders

0-100% Smooth Dimming

Manual Iris, Frost, and Framing Effects

Variable Color Temperature Settings (3,200K - 6,800K)

Tripod Stand and Road Case Included



PRODUCT SPECIFICATIONS

FEATURES

- 5° - 10° Manual Zoom
- 13,500 Total Lumens
- (5) Dichroic Colors Including CTB plus White
- (4) Manual Gel Frame Holders
- Variable Color Temperature Settings (3,200K - 6,800K)

SOURCE

Phillips™ MSD Platinum 15R Lamp
2,000 Hour Average Lamp Life

PHOTOMETRIC DATA

10,770 LUX 1,001 FC @32.8' (10M) (6° Full On)

EFFECTS

- Iris and Framing
- Frost
- Smooth Dimming (0-100%)

CONTROL / CONNECTIONS

- (4) Push Buttons
- (2) Faders (Dimming + Color Temperature)
- powerCON In

SIZE / WEIGHT - Followspot

Length: 42.0" (1068mm)
Width: 14.9" (376mm)
Vertical Height: 10.0" (255mm)
Weight: 52.0 lbs. (24 kg)

SIZE / WEIGHT - Road Case

Length: 46.0" (1170mm)
Width: 26.8" (680mm)
Vertical Height: 25.6" (650mm)
Weight: 174.0 lbs. (79 kg) (with followspot + stand)

ELECTRICAL / THERMAL

AC 100-240V - 50/60Hz
400W Max Power Consumption
14° to 113°F (-10° to 45°C)

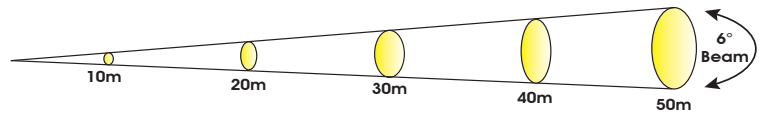
APPROVALS / RATINGS

CE | IP20

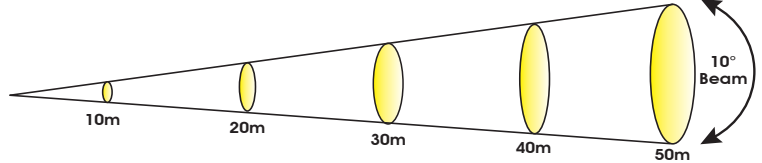
INCLUDED ITEMS

- (1) powerCON Cable
- (1) Tripod Stand
- (1) Road Case

PHOTOMETRIC DATA

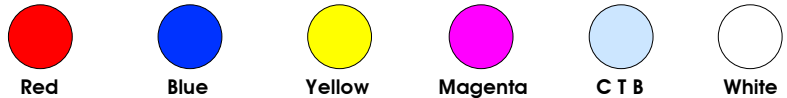


Distance	m		ft		m		ft		m		ft		m		ft	
	10	32.8	20	65.6	30	98.4	40	131.2	50	164.0	10	32.8	20	65.6	30	98.4
6° Beam Diameter	1.2	3.9	2.1	6.9	3.1	10.2	4.5	14.8	5.8	19.0	lux	fc	lux	fc	lux	fc
	10,770	1,001	3,450	321	1,869	174	1,021	95	305	28	FULL ON					

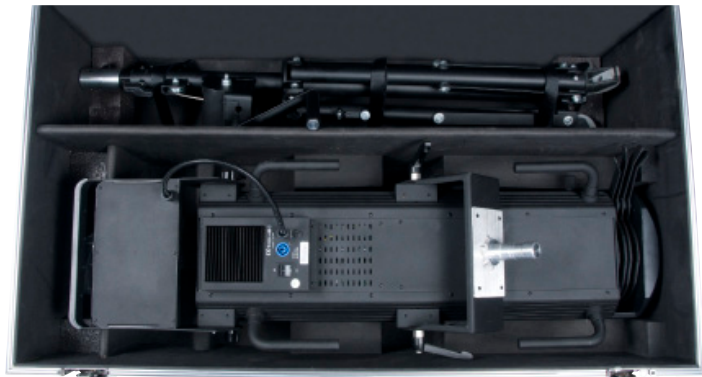
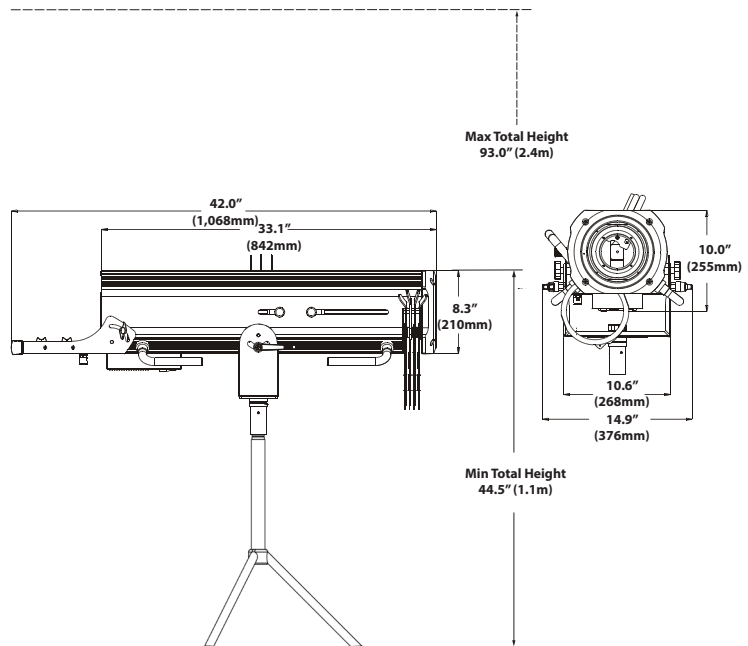


Distance	m		ft		m		ft		m		ft		m		ft	
	10	32.8	20	65.6	30	98.4	40	131.2	50	164.0	10	32.8	20	65.6	30	98.4
10° Beam Diameter	1.9	6.2	3.3	10.8	4.6	15.1	6.3	20.7	8.3	27.2	lux	fc	lux	fc	lux	fc
	4,837	449	1,636	152	856	80	273	25	102	9	FULL ON					

COLORS



DIMENSIONAL DIAGRAMS



Specifications are subject to change without notice ©Elation Professional

Elation Professional USA | 6122 S. Eastern Ave. | Los Angeles, CA. 90040
323-582-3322 | 323-832-9142 fax | www.elationlighting.com | info@elationlighting.com

Elation Professional B.V. | Junostraat 2 | 6468 EW Kerkrade, Netherlands
+31 45 546 85 66 | +31 45 546 85 96 fax | www.elationlighting.eu | info@elationlighting.eu