

# PRO FS 15R FOLLOWSPOT™

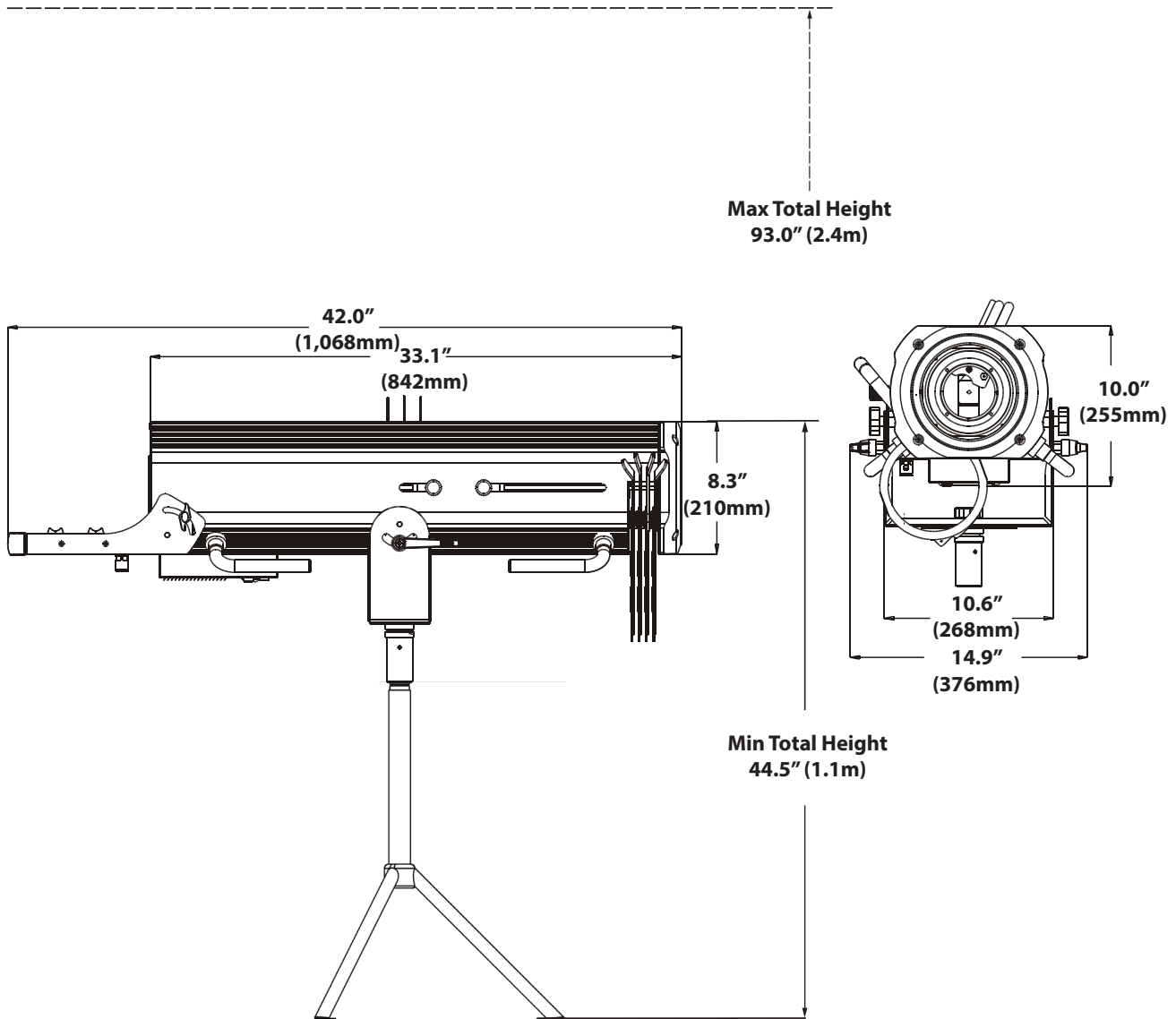
SKU# PFS001



## Dimensional Drawings

Specifications are subject to change without any prior written notice.

Weight: 52.0 lbs. (24 kg)



Road Case Loaded Weight: 174.0 lbs. (79 kg)  
L 46.0" (1170mm) x W 26.8" (680mm) x H 25.6" (650mm)

Elation Professional USA | 6122 S. Eastern Ave. | Los Angeles, CA. 90040  
323-582-3322 | 323-832-9142 fax | [www.elationlighting.com](http://www.elationlighting.com) | [info@elationlighting.com](mailto:info@elationlighting.com)

Elation Professional B.V. | Junostraat 2 | 6468 EW Kerkrade, Netherlands  
+31 45 546 85 66 | +31 45 546 85 96 fax | [www.elationlighting.eu](http://www.elationlighting.eu) | [info@elationlighting.eu](mailto:info@elationlighting.eu)