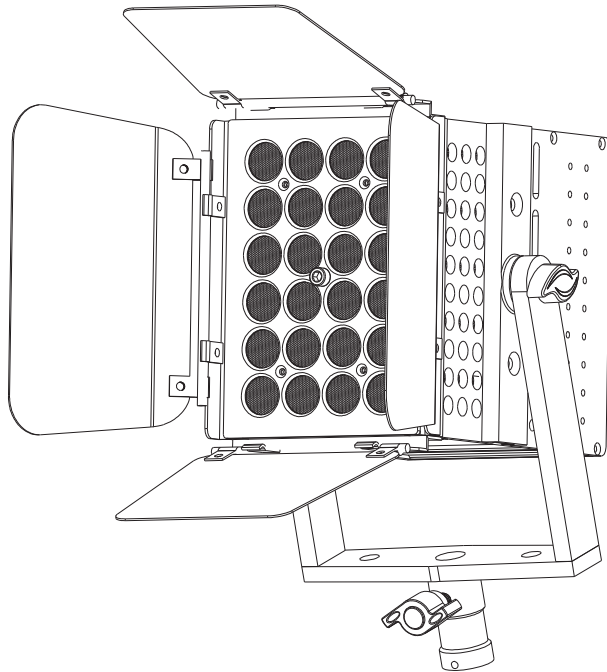




TVL3000-II WW/CW/DW



User Instructions

TVL3000-II WW/CW/DW

General Information

Unpacking: Thank you for purchasing either the TVL3000-II WW, TVL3000-II CW, or TVL3000-II DW by Elation Professionals®. Every TVL3000-II WW, TVL3000-II CW, and TVL3000-II DW has been thoroughly tested and has been shipped in perfect operating condition. Carefully check the shipping carton for damage that may have occurred during shipping. If the carton appears to be damaged, carefully inspect your fixture for any damage and be sure all equipment necessary to operate the unit has arrived intact. In the event damage has been found or parts are missing, please contact our toll free customer support number for further instructions. Please do not return this unit to your dealer without contacting customer support first.

Introduction: The TVL3000-II WW, TVL3000-II CW, and TVL3000-II DW are DMX intelligent LED fixture's. The TVL3000-II WW & TVL3000-II CW have 1 DMX channel, while the TVL3000-II DW has 2 DMX channel modes; Mode 1 is 2 DMX Channels and Mode 2 is 2 DMX Channels. These fixture's have two operating modes; manual mode or DMX controlled. The TVL3000-II WW, TVL3000-II CW, and TVL3000-II DW can only be run as stand alone unit. *The light projections can be enhanced using fog or special effects smoke.*

Customer Support: Elation Professionals® provides a toll free customer support line, to provide help and to answer any question should you encounter problems during your set up or initial operation. You may also visit us on the web at www.elationlighting.com for any comments or suggestions. Service Hours are Monday through Friday 8:00 a.m. to 4:30 p.m. Pacific Standard Time.

Voice: (323) 582-3322

Fax: (323) 832-9142

E-mail: support@elationlighting.com

To purchase parts online visit <http://parts.elationlighting.com>

Warning! To prevent or reduce the risk of electrical shock or fire, do not expose this unit to rain or moisture.

Warning! *This may cause severe eye damage. Avoid looking directly into the light source at all times!*

TVL3000-II WW/CW/DW

General Instructions

To optimize the performance of this product, please read these operating instructions carefully to familiarize yourself with the basic operations of this unit. These instructions contain important safety information regarding the use and maintenance of this unit. Please keep this manual with the unit, for future reference.

TVL3000-II WW/CW/DW

Features

- TVL3000-II WW/CW - 1 DMX Channel
TVL3000-II DW - 2 DMX Channel Modes (Mode 1 is 2 DMX Channels, Mode 2 is 2 DMX Channels)
- 2 Operating Modes - Manual Mode & DMX Control
- Digital Display for Address and Function Setting
- TVL3000-II WW - Warm White Temperature: 2900~3200K
- TVL3000-II CW - Cool White Temperature: 5300~5900K
- TVL3000-II DW - 2900~5600K
- 4 Beam Angles: 10°/25°/40°/60°

TVL3000-II WW/CW/DW

Warranty Registration

The TVL3000-II WW, TVL3000-II CW, and TVL3000-II DW carry a 2 year (730 days) limited warranty. Please fill out the enclosed warranty card to validate your purchase and warranty. You may also register your product online at www.elationlighting.com. All returned service items whether under warranty or not, must be freight pre-paid and accompany a return authorization (R.A.) number. If the unit is under warranty you must provide a copy of your proof of purchase invoice. Please contact Elation® customer support for a R.A. number.

TVL3000-II WW/CW/DW

Handling Precautions

Caution! There are no user serviceable parts inside this unit. Do not attempt any repairs yourself, doing so will void your manufacturer's warranty. In the unlikely event your unit may require service please contact Elation Professionals®.

During operation the housing may become hot. Avoid touching the unit with bare hands while in use.

Elation Professionals® will not accept any liability for any resulting damages caused by the non-observance of this manual or any unauthorized modification to this unit.

TVL3000-II WW/CW/DW

Safety Precautions

For Your Own Personal Safety, Please Read and Understand This Manual Completely Before You Attempt To Install Or Operate This Unit!

- To reduce the risk of electrical shock or fire, do not expose this unit rain or moisture
- Do not spill water or other liquids into or on to your unit.
- Do not attempt to operate this unit if the power cord has been frayed or broken.
- Do not attempt to remove or break off the ground prong from the electrical cord. This prong is used to reduce the risk of electrical shock and fire in case of an internal short.
- Disconnect from main power before making any type of connection.
- Do not remove the cover under any conditions. There are no user serviceable parts inside.
- Never operate this unit when it's cover is removed.
- Always be sure to mount this unit in an area that will allow proper ventilation. Allow about 6" (15cm) between this device and a wall.
- Do not attempt to operate this unit, if it becomes damaged.
- This unit is intended for indoor use only, use of this product outdoors voids all warranties.
- Always mount this unit in safe and stable matter.
- Power-supply cords should be routed so that they are not likely to be walked on or pinched by items placed upon or against them, paying particular attention to cords at plugs, convenience receptacles, and the point where they exit from the appliance.
- Cleaning -The fixture should be cleaned only as recommended by the manufacturer. See page 20 for cleaning details.
- Heat -This fixture should be situated away from heat sources such as radiators, heat registers, stoves, or other appliances (including amplifiers) that produce heat.
- The fixture should be serviced by qualified service personnel when:
 - A. Objects have fallen, or liquid has been spilled into the appliance.
 - B. The appliance has been exposed to rain or water.
 - C. The appliance does not appear to operate normally or exhibits a marked change in performance.

Power Supply: The Elation Professionals® TVL3000-II WW, TVL3000-II CW, and TVL3000-II DW contain an automatic voltage switch, which will auto sense the voltage when it is plugged into the power source. With this switch there is no need to worry about the correct power voltage, this unit can be plugged in anywhere. Also be sure to only use the included I.E.C. power cable supplied with the unit.

DMX-512: DMX is short for Digital Multiplex. This is a universal protocol used by most lighting and controller manufactures as a form of communication between intelligent fixtures and controllers. A DMX controller sends DMX data instructions from the controller to the fixture. DMX data is sent as serial data that travels from fixture to fixture via the DATA “IN” and DATA “OUT” XLR terminals located on all DMX fixtures (most controllers only have a DATA “OUT” terminal).

DMX Linking: DMX is a language allowing all makes and models of different manufactures to be linked together and operate from a single controller, as long as all fixtures and the controller are DMX compliant. To ensure proper DMX data transmission, when using several DMX fixtures try to use the shortest cable path possible. The order in which fixtures are connected in a DMX line does not influence the DMX addressing. For example; a fixture assigned a DMX address of 1 may be placed anywhere in a DMX line, at the beginning, at the end, or anywhere in the middle. When a fixture is assigned a DMX address of 1, the DMX controller knows to send DATA assigned to address 1 to that unit, no matter where it is located in the DMX chain.

Data Cable (DMX Cable) Requirements (For DMX and Master/Slave Operation): The TVL3000WW-II & TVL3000CW-II have 1 DMX channel, while the TVL3000-II DW has 2 DMX Channel Modes. The DMX address is set electronically using the controls on the rear of the unit. Your unit and your DMX controller require a approved DMX-512 110 Ohm Data cable for data input and data output. We recommend Accu-Cable DMX cables. If you are making your own cables, be sure to use standard 110-120 Ohm shielded cable (This cable may be purchased at almost all professional sound and lighting stores). Your cables should be made with a male and female XLR connector on either end of the cable. Also remember



Figure 1

that DMX cable must be daisy chained and cannot be split.

Notice: Be sure to follow figures two and three when making your own cables. Do not use the ground post on the XLR connector. Do not connect the cable’s shield conductor to the ground lug or allow the shield conductor to come in contact with the XLR’s outer casing. Grounding the shield could cause a short circuit and erratic behavior.

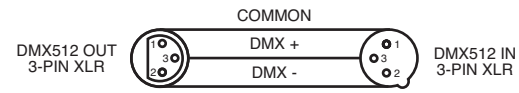


Figure 2

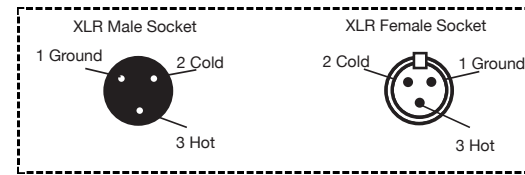


Figure 3

XLR Pin Configuration
Pin 1 = Ground
Pin 2 = Data Compliment (negative)
Pin 3 = Data True (positive)

Special Note: Line Termination. When longer runs of cable are used, you may need to use a terminator on the last unit to avoid erratic behavior. A terminator is a 90-120 ohm 1/4 watt resistor which is connected between pins 2 and 3 of a male XLR connector (DATA + and DATA -). This unit is inserted in the female XLR connector of the last unit in your daisy chain to terminate the line. Using a cable terminator (ADJ part number Z-DMX/T) will decrease the possibilities of erratic behavior.



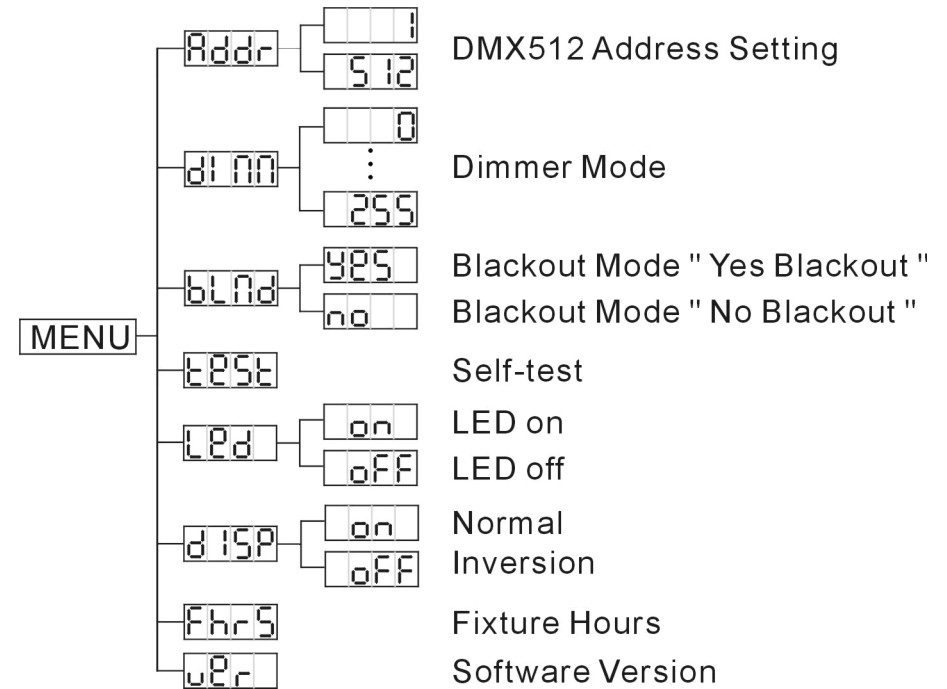
Termination reduces signal errors and avoids signal transmission problems and interference. It is always advisable to connect a DMX terminal, (Resistance 120 Ohm 1/4 W) between PIN 2 (DMX-) and PIN 3 (DMX +) of the last fixture.

Figure 4

5-Pin XLR DMX Connectors. Some manufactures use 5-pin XLR connectors for DATA transmission in place of 3-pin. 5-pin XLR fixtures may be implemented in a 3-pin XLR DMX line. When inserting standard 5-pin XLR connectors in to a 3-pin line a cable adaptor must be used, these adaptors are readily available at most electric stores. The chart below details a proper cable conversion.

3-Pin XLR to 5-Pin XLR Conversion		
Conductor	3-Pin XLR Female (Out)	5-Pin XLR Male (In)
Ground/Shield	Pin 1	Pin 1
Data Compliment (- signal)	Pin 2	Pin 2
Data True (+ signal)	Pin 3	Pin 3
Not Used		Pin 4 - Do Not Use
Not Used		Pin 5 - Do Not Use

TVL3000-II WW/CW System Menu



System Menu. The TVL3000-II WW & TVL3000-II CW come with an easy to navigate system menu. This next section will detail the functions of each command in the system menu. **Please read the next section thoroughly!**

ADDR - DMX Address Setting.

1. To set your address, press either the MENU, UP, or DOWN buttons until “ADDR” is displayed, press ENTER. “1” will now be displayed and flashing.
2. Press the UP or DOWN buttons to find your desired address. When you have found your desired DMX address press ENTER, and connect your DMX Controller.

DIAM - Dimmer mode.

1. Press the MENU button until “DIAM” is displayed, press ENTER.
2. Use the UP and DOWN buttons to adjust the intensity until you reach your desired intensity. Once you have found your desired intensity, press ENTER to confirm, then press and hold the MENU button for at least 3 seconds to activate.

BLND - Blackout or Stand by mode.

1. Press the MENU button until “BLND” is displayed, press ENTER. Either Yes or No will be displayed.
2. To activate Blackout press the UP or DOWN buttons until Yes is displayed, press ENTER to confirm. The fixture will now be in Blackout mode. To deactivate Blackout mode, select No and press Enter.

TEST - This function will run a self test program.

1. Tap the MENU button until “TEST” is displayed, press ENTER.
2. The fixture will now run a self test program. To exit the self test mode press either the MENU or ENTER button.

LED - In this submenu you can have the LED display turn off after 20 seconds.

1. Press the MENU button until “LED” is displayed, press ENTER.
2. The display will show either “ON” or “OFF”. Press the UP or DOWN buttons to select “ON” to keep the LED display On at all times, or “OFF” so that the LED display turns off after 20 seconds.
3. Press ENTER to confirm. To make the LED display reappear, press and button.

DISP - In this submenu your are able to “flip” the display 180°.

1. Press the MENU button until “DISP” is displayed, press ENTER.
2. Press the UP button to select “ON” to reverse the display, or “OFF” to reverse it back.
3. Press ENTER to confirm.

FHRS - In this submenu the display will show the running time (in hours) of the unit.

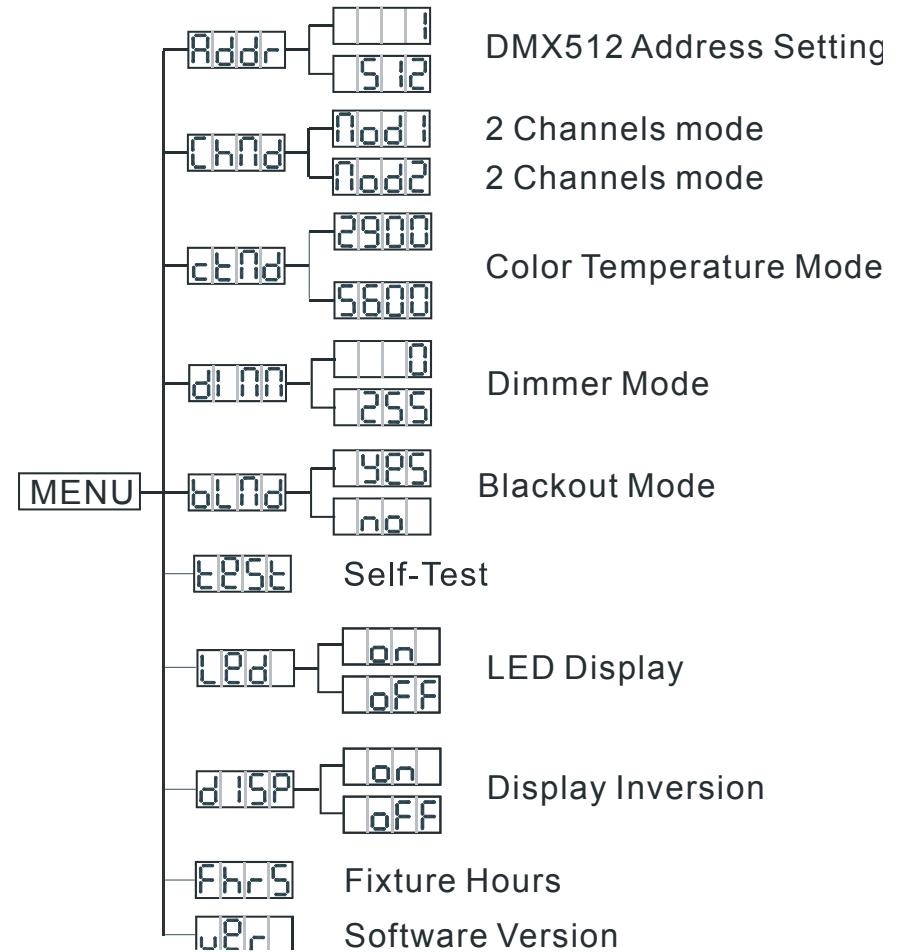
1. Press the MENU button until “FHRS” is displayed, press ENTER.
2. The display shows the life time of the unit. Press MENU to

exit.

VER - In this submenu are see the Software version of the unit.

1. Press the MENU button until “VER” is displayed, press ENTER.
2. The display will show the software version. Press MENU to exit.

TVL3000-II DW System Menu



ADDR - DMX Address Setting.

1. First set the unit to your desired DMX Channel mode.
2. To set your address, press either the MENU, UP, or DOWN buttons until "ADDR" is displayed, press ENTER. "1" will now be displayed and flashing.
3. Press the UP or DOWN buttons to find your desired address. When you have found your desired DMX address press ENTER, and then press and hold the MENU button for at least 3 seconds. Once the address is displayed connect your DMX Controller.

CHND - In this submenu you can switch between the 2 DMX Channel Modes. Both Channel modes are 2 Channels each.

1. Press the MENU button until "CHND" is displayed, press ENTER. Either "MOD 1" or "MOD 2" will be displayed.
2. Press the UP or DOWN buttons to choose your desired DMX channel mode and press ENTER to confirm and exit. Please see page 17, TVL3000-II DW DMX traits to see the different DMX modes and traits.

CTND - In this submenu you are able to scroll through and select your desired color temperature.

1. Press the MENU button until "CTND" is displayed, press ENTER.
2. Press the UP or DOWN buttons to scroll through the different color temperatures. Once you have found your desired color temperature, press ENTER to confirm, then press and hold the MENU button for at least 3 seconds to activate.

DIMM - Dimmer mode.

1. Press the MENU button until "DIMM" is displayed, press ENTER.
2. Use the UP and DOWN buttons to adjust the intensity until you reach your desired intensity. Once you have found your desired intensity, press ENTER to confirm, then press and hold the MENU button for at least 3 seconds to activate.

BLND - Blackout or Stand by mode.

1. Press the MENU button until "BLND" is displayed, press ENTER. Either Yes or No will be displayed.
2. To activate Blackout press the UP or DOWN buttons until Yes is displayed, press ENTER to confirm and exit. The fixture will now be in Blackout mode. To deactivate Blackout mode, select No and press Enter.

TEST - This function will run a self test program.

1. Tap the MENU button until "TEST" is displayed, press ENTER.
2. The fixture will now run a self test program. To exit the self test mode press either the MENU or ENTER button.

LED - In this submenu you can have the LED display turn off after 20 seconds.

1. Press the MENU button until "LED" is displayed, press ENTER.
2. The display will show either "ON" or "OFF". Press the UP or DOWN buttons to select "ON" to keep the LED display On at all times, or "OFF" so that the LED display turns off after 20 seconds.

3. Press ENTER to confirm. To make the LED display reappear, press and button.

DISP - In this submenu you are able to “flip” the display 180°.

1. Press the MENU button until “DISP” is displayed, press ENTER.
2. Press the UP button to select “ON” to reverse the display, or “OFF” to reverse it back.
3. Press ENTER to confirm.

FHRS - In this submenu the display will show the running time (in hours) of the unit.

1. Press the MENU button until “FHRS” is displayed, press ENTER.
2. The display shows the life time of the unit. Press MENU to exit.

VER - In this submenu are see the Software version of the unit.

1. Press the MENU button until “VER” is displayed, press ENTER.
2. The display will show the software version.

Universal DMX Control: This function allows you to use a Elation® universal DMX-512 controller to create unique programs tailored to your individual needs.

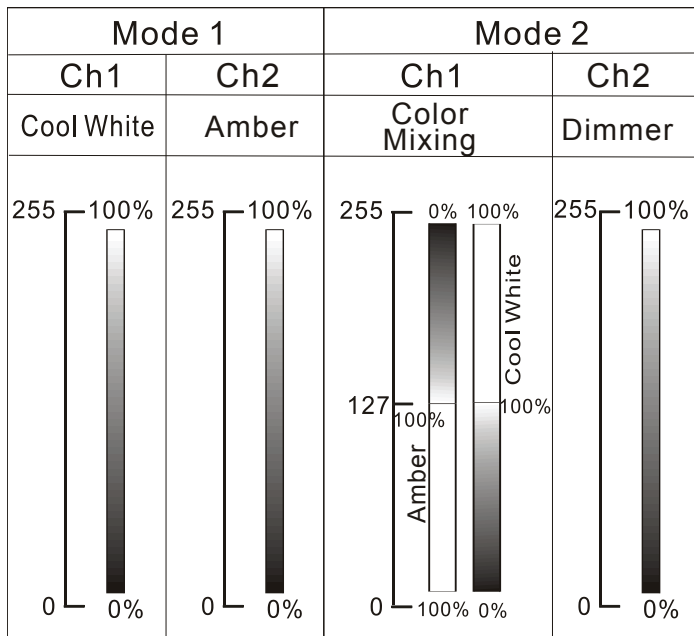
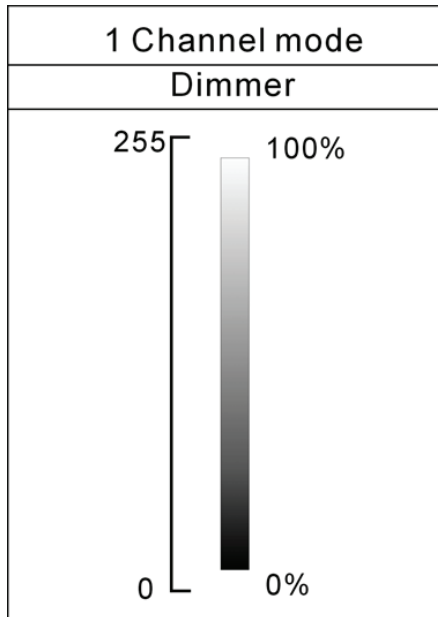
1. The TVL3000-II WW/CW have one DMX channel, and the TVL3000-II DW has 2 DMX Channels Modes; Mode 1 is a 2 Channel Mode, and Mode 2 is a 2 Channel Mode. For the DMX modes, values, and traits, see page 17.
2. To control your fixture in DMX mode, follow the set-up procedures on pages 5-7 as well as the set-up specifications that are included with your DMX controller.
3. Use the controller’s faders to control the various DMX fixture traits. This will allow you to create your own programs.
4. Follow the instructions on page 9 to set the DMX address.
5. For longer cable runs (more than a 100 feet) use a terminator on the last fixture.
6. For help operating in DMX mode consult the manual included with your DMX controller.

Dimmer Mode: This mode allows the user to adjust the dimming so that you can manually set your desired color output.

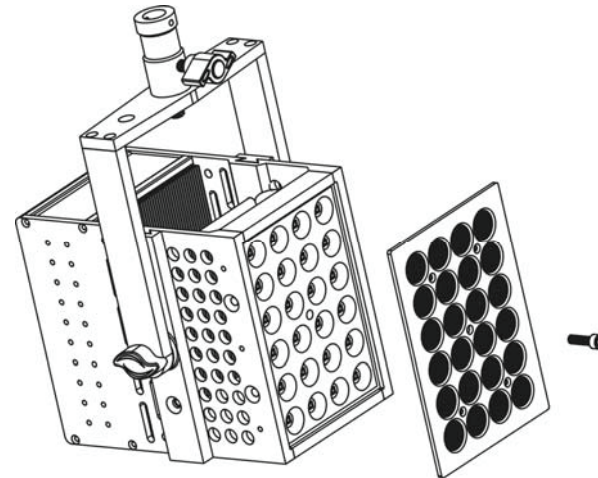
1. Press the MENU button until “DIM” is displayed, and press ENTER.
2. Use the UP and DOWN buttons to adjust the intensity until you reach your desired intensity.
3. Once you have found your desired intensity, press ENTER, then press and hold the MENU button to activate.

Color Temperature Mode (TVL3000-II DW only): This mode allows the user to select their desired Color Temperature output.

1. Press the MENU button until “CTND” is displayed, and press ENTER.
2. Use the UP or DOWN buttons to scroll through the different color temperatures.
3. Once you have found your color temperature, press ENTER, then press and hold the MENU button to activate.



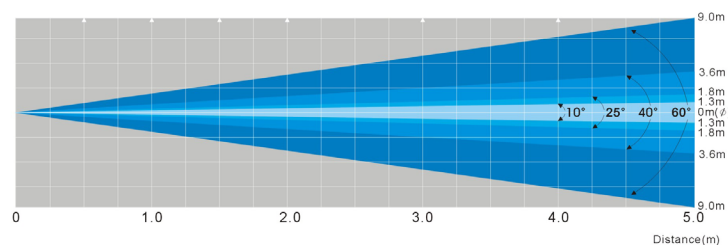
When changing the beam angle unscrew the thumb screw and remove the previous lens kit and replace with the new kit, now replace the thumb screw. The 10° lens is the lens that comes attached to the unit.



The unit should be mounted using a mounting clamp (not provided), affixing it to the mounting bracket that is provided with the unit. Always ensure that the unit is firmly fixed to avoid vibration and slipping while operating. Always ensure that the structure to which you are attaching the unit is secure and is able to support a weight of 10 times the unit's weight. Also, always use a safety cable that can hold 12 times the weight of the unit when installing the fixture. The equipment must be installed by a professional, and it must be installed in a place where it is out of the reach of people's grasp.

TVL3000-II

CW10°	82691	20673	9188	5168	3308	(lux)
WW10°	60580	15145	6731	3786	2423	
DW10°	49763	12441	5529	3110	1991	
CW25°	55617	13094	6180	3476	2225	
WW25°	42252	10563	4695	2641	1690	
DW25°	38030	9508	4226	2377	1521	
CW40°	16587	4147	1843	1037	664	
WW40°	13488	3372	1499	843	540	
DW40°	11229	2807	1248	702	449	
CW60°	8994	2248	999	562	360	
WW60°	6094	1524	677	381	244	
DW60°	6731	1683	748	421	269	



Fixture Cleaning: Due to fog residue, smoke, and dust cleaning the internal and external optical lenses and mirror should be carried out periodically to optimize light output. Cleaning frequency depends on the environment in which the fixture operates (I.e. smoke, fog residue, dust, dew). In heavy club use we recommend cleaning on a monthly basis. Periodic cleaning will ensure longevity, and crisp output.

1. Use normal glass cleaner and a soft cloth to wipe down the outside casing.
2. Use a brush to wipe down the cooling vents and fan grill.
3. Clean the external optics and mirror with glass cleaner and a soft cloth every 20 days.
4. Clean the internal optics with glass cleaner and a soft cloth every 30-60 days.
5. Always be sure to dry all parts completely before plugging the unit back in.

Trouble Shooting: Listed below are a few common problems that you may encounter, with solutions.

1. **The unit does not work, no light and the fan does not work**
 - Check the power connection on both the unit and power source.
2. **Not responding to DMX controller**
 - DMX LED should be on. If not, check DMX connectors and cables make sure they are linked properly.
 - If the DMX LED is on and no response to the channel, check the address settings
 - If you have intermittent DMX signal problems, check the pins on connectors.
 - Try to using another DMX controller.
 - Check if the DMX cables run near or run alongside high voltage cables that may cause damage or interference to DMX interface circuit.

2-YEAR LIMITED WARRANTY

A. Elation® Architectural hereby warrants, to the original purchaser, Elation® Professionals® products to be free of manufacturing defects in material and workmanship for a period of two years (730 days) from the date of purchase. This warranty shall be valid only if the product is purchased within the United States of America, including possessions and territories. It is the owner's responsibility to establish the date and place of purchase by acceptable evidence, at the time service is sought.

B. For warranty service, send the product only to the Elation® Professionals® factory. All shipping charges must be pre-paid. If the requested repairs or service (including parts replacement) are within the terms of this warranty, Elation® Professionals® will pay return shipping charges only to a designated point within the United States. If the entire instrument is sent, it must be shipped in its original package. No accessories should be shipped with the product. If any accessories are shipped with the product, Elation® Professionals® shall have no liability whatsoever for loss of or damage to any such accessories, nor for the safe return thereof.

C. This warranty is void if the serial number has been altered or removed; if the product is modified in any manner which Elation® Professionals® concludes, after inspection, affects the reliability of the product; if the product has been repaired or serviced by anyone other than the Elation® Professionals® factory unless prior written authorization was issued to purchaser by Elation® Professionals®; if the product is damaged because not properly maintained as set forth in the instruction manual.

D. This is not a service contract, and this warranty does not include maintenance, cleaning or periodic check-up. During the period specified above, Elation® Professionals® will replace defective parts at its expense, and will absorb all expenses for warranty service and repair labor by reason of defects in material or workmanship. The sole responsibility of Elation® Professionals® under this warranty shall be limited to the repair of the product, or replacement thereof, including parts, at the sole discretion of Elation® Professionals®. All products covered by this warranty were manufactured after January 1, 1990, and bear identifying marks to that effect.

E. Elation® Professionals® reserves the right to make changes in design and/or improvements upon its products without any obligation to include these changes in any products theretofore manufactured.

F. No warranty, whether expressed or implied, is given or made with respect to any accessory supplied with products described above. Except to the extent prohibited by applicable law, all implied warranties made by Elation® Professionals® in connection with this product, including warranties of merchantability or fitness, are limited in duration to the warranty period set forth above. And no warranties, whether expressed or implied, including warranties of merchantability or fitness, shall apply to this product after said period has expired. The consumer's and or Dealer's sole remedy shall be such repair or replacement as is expressly provided above; and under no circumstances shall Elation® Professionals® be liable for any loss or damage, direct or consequential, arising out of the use of, or inability to use, this product.

G. This warranty is the only written warranty applicable to Elation® Professionals® Products and supersedes all prior warranties and written descriptions of warranty terms and conditions heretofore published.

Model:	TVL3000-II WW/CW/DW
Voltage:	110 - 240V~50/60Hz
LEDs:	TVL3000WW-II: 24 Warm White LEDs TVL3000CW-II: 24 Cool White LEDs TVL3000DW-II: 12 Cool White & 12 Warm White LEDs
Power Consumption:	70W
Beam Angle:	10°, 25°, 40°, & 60°
Dimensions:	
Without Bracket:	8.7”(L) x 5.3”(W) x 7.6”(H) 222mm x 135.5mm x 194mm
With Bracket:	8.7”(L) x 7.87”(W) x 12.4”(H) 222mm x 200mm x 317mm
Weight:	13.6 Lbs. / 6.2 kgs.
Colors:	TVL3000WW-II: Warm White TVL3000CW-II: Cool White TVL3000DW-II: Cool & Warm White
DMX:	TVL3000WW-II: 1 DMX Channel TVL3000CW-II: 1 DMX Channel TVL3000DW-II: 2 DMX Channel Modes (2 DMX Channels & 2 DMX Channels)
Working Position:	Any Safe, Secure Position
Warranty:	2 Year (730 days)

Please Note: Specifications and improvements in the design of this unit and this manual are subject to change without any prior written notice.

Auto Sensing Voltage: This fixture contains a automatic voltage switch, which will auto sense the voltage when it is plugged into the power source.

©Elation Professionals®

A Division of the AmericanDJ® Group of Companies

World Headquarters:

6122 S. Eastern Ave. Los Angeles, CA 90040 USA

Tel: 323-582-3322 Fax: 323-832-9142

Web: www.elationlighting.com E-mail: info@elationlighting.com

American DJ Europe

Junostraat 2

6468 EW Kerkrade

Netherlands

service@adjgroup.eu / www.americandj.eu

Tel: +31 45 546 85 00 / Fax: +31 45 546 85 99