



OPTI QA PAR™

SKU# OPT776

FEATURES

- 18 x 5W Quad Color (RGBA) LEDs
- 10° Beam Angle
- Variable Color & Strobe Macros
- Flicker Free Operation for TV and FILM
- 140W Max Power Consumption
- Power Link Up To (10) Units at 120V
- Integrated Dual Rigging Yoke / Floor Stand
- Gel Frame Included



The Opti QA Par™ features (18) 5W QUAD RGBA Color LEDs, a 10° beam angle, variable color and strobe effects, smooth dimming control, flicker free operation for TV and FILM, 3 and 5pin in/out DMX and powerCON in/out connections, 3 button control panel / LCD display, integrated dual rigging yoke / floor stand, included gel frame, linkable power for up to (10) units at 120V, 140W max power consumption, and a multi-voltage universal auto switching power supply (100-240v).



ELATION | OPTI QA PAR™ | Product Specification Sheet

Specifications are subject to change without notice ©Elation Professional

Elation Professional USA | 6122 S. Eastern Ave. | Los Angeles, CA. 90040
323-582-3322 | 323-832-9142 fax | www.elationlighting.com | info@elationlighting.com

Elation Professional B.V. | Junostraat 2 | 6468 EW Kerkrade, Netherlands
+31 45 546 85 66 | +31 45 546 85 96 fax | www.elationlighting.eu | info@elationlighting.eu

PRODUCT SPECIFICATIONS

FEATURES

10° Beam Angle
Smooth Dimming Control
Flicker Free Operation for TV and FILM

SOURCE

18 x 5W QUAD Color (RGBA) LEDs
50,000 Hour Average Life

PHOTOMETRIC DATA

2065 LUX (192 FC) @9 ft. (2.7m) 10° Full ON

EFFECTS

Color + Variable Strobe Macros
Electronic Dimming: 0% - 100%

COLOR

RGBA (Red, Green, Blue, Amber)

CONTROL / CONNECTIONS

6 DMX Channel Modes (1/2/4/5/7/8)
3pin & 5pin DMX In/Out
3 Button Control Panel
LCD Menu Display
powerCON Power In/Out
Power Link Up To (10) Units at 120V

SIZE / WEIGHT

Length: 10.9" (278mm)
Width: 8.7" (221mm)
Vertical Height: 14.1" (358mm)
Weight: 10.6 lbs. (4.8kg)

ELECTRICAL

AC 100-240V - 47/63Hz
140W Max Power Consumption

APPROVALS / RATINGS

CE Approved
cETLus Approved
IP20 Rated

INSTALLATION

Rigging: Dual Yoke / Floor Stand
Working Position: Any (360°)

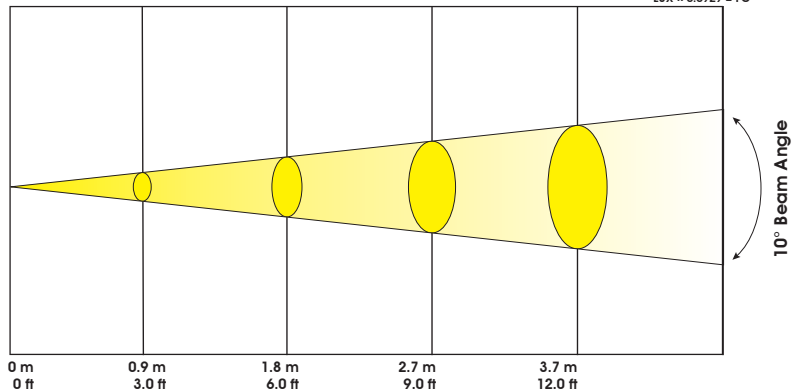
INCLUDED ITEMS

6 ft (1.8m) powerCON Cable
Gel Frame

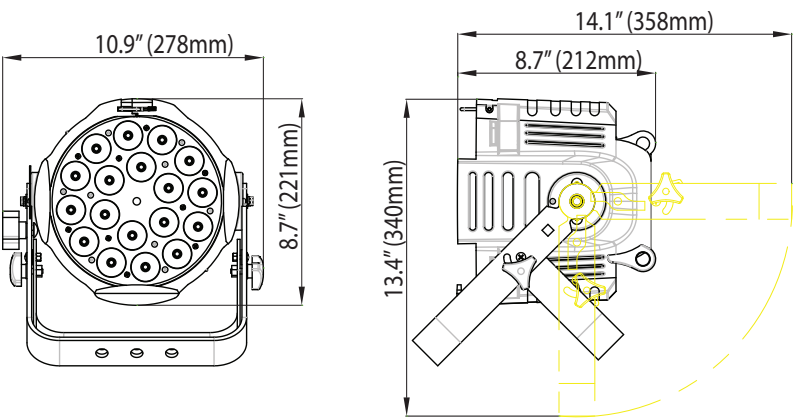
PHOTOMETRIC DATA

RED	491 FC / 5280 LUX	126 FC / 1360 LUX	54 FC / 582 LUX	30 FC / 321 LUX
GREEN	705 FC / 7590 LUX	196 FC / 2113 LUX	85 FC / 920 LUX	48 FC / 515 LUX
BLUE	166 FC / 1782 LUX	45 FC / 488 LUX	20 FC / 216 LUX	11 FC / 123 LUX
AMBER	617 FC / 6640 LUX	164 FC / 1763 LUX	70 FC / 753 LUX	39 FC / 420 LUX
FULL ON	1635 FC / 17,600 LUX	441 FC / 4750 LUX	192 FC / 2065 LUX	111 FC / 1190 LUX

LUX x 0.0929 = FC



DIMENSIONAL DIAGRAM



OPTIONAL ACCESSORIES

LSF SERIES LIGHT SHAPING FILTERS

Easy-to-Use Poly Carbonate Sheets which can be cut to size to fit over any LED fixture
Transmits up to 92% of the light, shaping it to the desired effect.

- LSF559 (LSF10-24) 10° 24" x 24" Sheet
- LSF537 (LSF20-22) 20° 22" x 24" Sheet
- LSF536 (LSF30-24) 30° 24" x 24" Sheet
- LSF538 (LSF601-24) 1° x 60° 22" x 24" Sheet



Heavy Duty
Wrap Around
Hook Style Clamp

TRIGGER CLAMP



powerCON Link Cables
PLC3 (3 ft / 1m)
PLC6 (6 ft / 1.8m)
PLC10 (10 ft / 3m)
PLC15 (15 ft / 4.5m)



PRO DMX Cables (3pin & 5pin)
AC3PDMX5PRO (5 ft / 1.5m) 3pin
AC3PDMX10PRO (10 ft / 3m) 3pin
AC3PDMX15PRO (15 ft / 4.5m) 3pin
AC3PDMX25PRO (25 ft / 7.5m) 3pin
AC3PDMX50PRO (50 ft / 15m) 3pin
AC3PDMX100PRO (100 ft / 30m) 3pin
AC5PDMX5PRO (5 ft / 1.5m) 5pin
AC5PDMX10PRO (10 ft / 3m) 5pin
AC5PDMX15PRO (15 ft / 4.5m) 5pin
AC5PDMX25PRO (25 ft / 7.5m) 5pin
AC5PDMX50PRO (50 ft / 15m) 5pin
AC5PDMX100PRO (100 ft / 30m) 5pin



Specifications are subject to change without notice ©Elation Professional