

**TVL F1CW™**  
user manual 1.2

©2013 ELATION PROFESSIONAL all rights reserved. Information, specifications, diagrams, images, and instructions herein are subject to change without notice. ELATION PROFESSIONAL logo and identifying product names and numbers herein are trademarks of ELATION PROFESSIONAL. Copyright protection claimed includes all forms and matters of copyrightable materials and information now allowed by statutory or judicial law or hereinafter granted. Product names used in this document may be trademarks or registered trademarks of their respective companies and are hereby acknowledged. All non-ELATION brands and product names are trademarks or registered trademarks of their respective companies.

ELATION PROFESSIONAL and all affiliated companies hereby disclaim any and all liabilities for property, equipment, building, and electrical damages, injuries to any persons, and direct or indirect economic loss associated with the use or reliance of any information contained within this document, and/or as a result of the improper, unsafe, insufficient and negligent assembly, installation, rigging, and operation of this product.

**Elation Professional USA** | 6122 S. Eastern Ave. | Los Angeles, CA. 90040  
323-582-3322 | 323-832-9142 fax | [www.elationlighting.com](http://www.elationlighting.com) | [info@elationlighting.com](mailto:info@elationlighting.com)

**Elation Professional B.V.** | Junostraat 2 | 6468 EW Kerkrade, Netherlands  
+31 45 546 85 66 | +31 45 546 85 96 fax | [www.elationlighting.eu](http://www.elationlighting.eu) | [info@elationlighting.eu](mailto:info@elationlighting.eu)

## CONTENTS

General Information	4
Warranty	6
Safety Instructions	7
General Guidelines	8
Fixture Overview	9
Installation	10
Understanding DMX	13
Fixture Menu	17
DMX Channel Functions and Values	21
Cleaning and Maintenance	22
Technical Specifications	23
Optional Accessories	25

## GENERAL INFORMATION

### INTRODUCTION

Congratulations, you have just purchased one of the most innovative and reliable lighting fixtures on the market today! The **TVL F1CW™** has been designed to perform reliably for years when the guidelines in this booklet are followed. Please read and understand the instructions in this manual carefully and thoroughly before attempting to operate this unit. These instructions contain important information regarding safety during use and maintenance.

### UNPACKING

Thank you for purchasing the **TVL F1CW™** by Elation Professional®. Every **TVL F1CW™** has been thoroughly tested and has been shipped in perfect operating condition. Carefully check the shipping carton for damage that may have occurred during shipping. If the carton appears to be damaged, carefully inspect your unit for damage and be sure all accessories necessary to operate the unit have arrived intact. In the event damage has been found or parts are missing, please contact our customer support team for further instructions. Please do not return this unit to your dealer without first contacting customer support at the number listed below. Please do not discard the shipping carton in the trash. Please recycle whenever possible.

### BOX CONTENTS

- (1) powerCON Cable
- (1) Gel Frame Holder
- (1) Rotating Barn Door + Holder
- Manual & Warranty Card

### MANUAL UPDATES

Please check [www.elationlighting.com](http://www.elationlighting.com) for the latest revision/update of this manual.

## CUSTOMER SUPPORT

Elation Professional® provides a customer support line, to provide set up help and to answer any question should you encounter problems during your set up or initial operation. You may also visit us on the web at [www.elationlighting.com](http://www.elationlighting.com) for any comments or suggestions. For service related issue please contact Elation Professional®. Service Hours are Monday through Friday 8:00 a.m. to 5:00 p.m. PST.

Voice: 323-582-3322

Fax: 323-832-9142

E-mail: [support@elationlighting.com](mailto:support@elationlighting.com)

Forum: [www.ElationLighting.com/forum](http://www.ElationLighting.com/forum)

## WARRANTY REGISTRATION

The TVL F1CW™ carries a two year (730 days) limited warranty. Please fill out the enclosed warranty card to validate your purchase. All returned service items whether under warranty or not, must be freight pre-paid and accompany a return authorization (R.A.) number. The R.A. number must be clearly written on the outside of the return package. A brief description of the problem as well as the R.A. number must also be written down on a piece of paper and included in the shipping container. If the unit is under warranty, you must provide a copy of your proof of purchase invoice. Items returned without a R.A. number clearly marked on the outside of the package will be refused and returned at customer's expense. You may obtain a R.A. number by contacting customer support at 323-582-3322.



## **IMPORTANT NOTICE!**

**There are no user serviceable parts inside this unit. Do not attempt any repairs yourself; doing so will void your manufactures warranty. Damages resulting from modifications to this fixture and/or the disregard of safety and general user instructions found in this user manual void the manufactures warranty and are not subject to any warranty claims and/or repairs.**

## 2-YEAR LIMITED WARRANTY

A. Elation Professional® hereby warrants, to the original purchaser, Elation Professional® products to be free of manufacturing defects in material and workmanship for a period of two years, (730 days) from the date of purchase. This warranty shall be valid only if the product is purchased within the United States of America, including possessions and territories. It is the owner's responsibility to establish the date and place of purchase by acceptable evidence, at the time service is sought.

B. For warranty service, send the product only to the Elation Professional® factory. All shipping charges must be pre-paid. If the requested repairs or service (including parts replacement) are within the terms of this warranty, Elation Professional® will pay return shipping charges only to a designated point within the United States. If the entire instrument is sent, it must be shipped in its original package. No accessories should be shipped with the product. If any accessories are shipped with the product, Elation Professional® shall have no liability what so ever for loss of or damage to any such accessories, nor for the safe return thereof.

C. This warranty is void if the serial number has been altered or removed; if the product is modified in any manner which Elation Professional® concludes, after inspection, affects the reliability of the product; if the product has been repaired or serviced by anyone other than the Elation Professional® factory unless prior written authorization was issued to purchaser by Elation Professional®; if the product is damaged because not properly maintained as set forth in the instruction manual.

D. This is not a service contract, and this warranty does not include maintenance, cleaning or periodic check-up. During the period specified above, Elation Professional® will replace defective parts at its expense, and will absorb all expenses for warranty service and repair labor by reason of defects in material or workmanship. The sole responsibility of Elation Professional® under this warranty shall be limited to the repair of the product, or replacement thereof, including parts, at the sole discretion of Elation Professional®. All products covered by this warranty were manufactured after January 1, 1990, and bare identifying marks to that effect.

E. Elation Professional® reserves the right to make changes in design and/or improvements upon its products without any obligation to include these changes in any products theretofore manufactured.

F. No warranty, whether expressed or implied, is given or made with respect to any accessory supplied with products described above. Except to the extent prohibited by applicable law, all implied warranties made by Elation Professional® in connection with this product, including warranties of merchantability or fitness, are limited in duration to the warranty period set forth above. And no warranties, whether expressed or implied, including warranties of merchantability or fitness, shall apply to this product after said period has expired. The consumer's and or Dealer's sole remedy shall be such repair or replacement as is expressly provided above; and under no circumstances shall Elation Professional® be liable for any loss or damage, direct or consequential, arising out of the use of, or inability to use, this product.

G. This warranty is the only written warranty applicable to Elation Professional® Products and supersedes all prior warranties and written descriptions of warranty terms and conditions heretofore published.

## SAFETY INSTRUCTIONS



The **TVL F1CW™** is an extremely sophisticated piece of electronic equipment. To guarantee a smooth operation, it is important to follow the guidelines in this manual. The manufacturer of this device will not accept responsibility for damages resulting from the misuse of this fixture due to the disregard of the information printed in this manual.



This device falls under **PROTECTION CLASS 1**. It's essential this device is grounded properly, and only qualified personnel perform all electrical connections.



### CAUTION!

Never touch the device during operation!  
The housing may heat up



### CAUTION!

Never look directly into the light source,  
as sensitive persons may suffer an epileptic shock.



### CAUTION!

Keep this device away from rain and moisture !



### CAUTION!

Unplug mains lead before opening the housing.

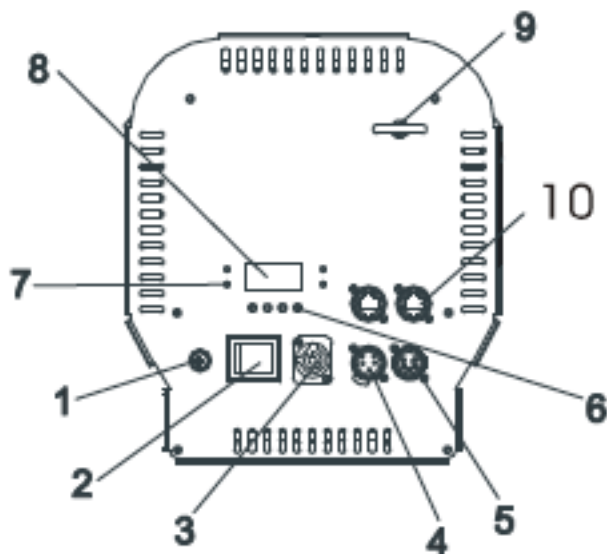
- For proper operation, follow the **Installation** guidelines described in this manual. Only qualified and certified personnel should perform the installation and only the original rigging parts (brackets, holders, clamps, safety cables) included with this fixture should be used for installation. Any modifications will void the original manufacturer's warranty and increase the risk of damage and/or personal injury.
- Never look directly into the light source to prevent risk of injury to your retina, which may induce blindness. Those suffering from **EPILEPSY** should avoid looking directly into the light source of this unit at all times.
- The fan and air inlets must remain clean and never blocked. Allow approx. 6" (15cm) between this fixture and other devices or a wall for proper cooling.
- Always disconnect from main power source before performing any type of service and/or cleaning procedure. Only handle the power cord by the plug end, never pull by tugging the wire portion of the cord.
- Do NOT operate fixture if the power cord has become frayed, crimped and/or damaged. If the power cord is damaged, replace it immediately with a new one of similar power rating.
- Do NOT operate fixture near any flammable materials.
- Do NOT operate fixture in dusty environments.

## GENERAL GUIDELINES

- **NEVER OPEN THIS FIXTURE WHILE IN USE!**
- During the initial operation of this fixture, a light smoke or smell may emit from the interior of the fixture. This is a normal process and is caused by excess paint in the interior of the casing burning off from the heat associated with the lamp and will decrease gradually over time.
- This fixture is a professional lighting effect designed for use on stage, in studios, retail stores, nightclubs, theatres, and other similar locations. Do NOT attempt installation and/or operation without proper knowledge of how to do so.
- Do NOT permit operation by persons who are not qualified for operating this type of theatrical fixture. Most damages are the result of operations by nonprofessionals.
- Consistent operational breaks may ensure the fixture will function properly for many years to come.
- Do NOT shake fixture, avoid brute force when installing and/or operating the device.
- Do NOT connect fixture to a dimmer pack.
- Always install the fixture with an appropriate safety cable. When installing the fixture in a suspended environment, always use mounting hardware that is no less than M10 x 25 mm, also be sure the hardware is insert in the pre-arranged screw holes in the base of the fixture.
- Please use the original packaging and materials to transport the fixture in for service.



## FIXTURE OVERVIEW



- 1: Fuse Holder Assembly**
- 2: Power Switch**
- 3: Power IN (powerCON)**
- 4: 5-Pin DMX OUT**
- 5: 5-Pin DMX IN**
- 6: Menu Control Buttons**
- 7: LED Indicators**
- 8: LED Control Display**
- 9: Safety Hook**
- 10: Ethernet (RJ45) Connectors (x2)**

- 1. Fuse Holder Assembly**– Houses 250v T3.15A GMA safety fuse. Always replace with an exact match unless otherwise specified by an authorized Elation Service Technician.
- 2. Power Switch** – Used to power fixture ON or OFF.
- 3. Power IN** – Power connection (powerCON) to power source.
- 4. 5-Pin DMX OUT** – Sends incoming DMX signal to the next fixture in the DMX chain via a female 5-pin XLR jack.
- 5. 5-Pin DMX IN** – Accepts incoming DMX signal via a male 5-pin XLR jack
- 6. Menu Control Buttons** – Control buttons MENU, UP, DOWN, and ENTER.
- 7. LED Indicators** – LED indicators for DMX, MASTER, SLAVE, and SOUND.
- 8. LED Control Display** – LED control display showing various menus and functions.
- 9. Safety Hook** – Used to connect safety cable to.
- 10. Ethernet (RJ45) Connectors (x2)** – Used to transfer fixture’s information to a main controller. (CURRENTLY, THESE HAVE NO FUNCTION)

## INSTALLATION



### CAUTION!

Please consider the GB7000.15/EN60598-2-17 and the other respective national norms during the installation. The installation must only be carried out by a qualified person.



### CAUTION!

The electric connection must only be carried out by a qualified electrician.

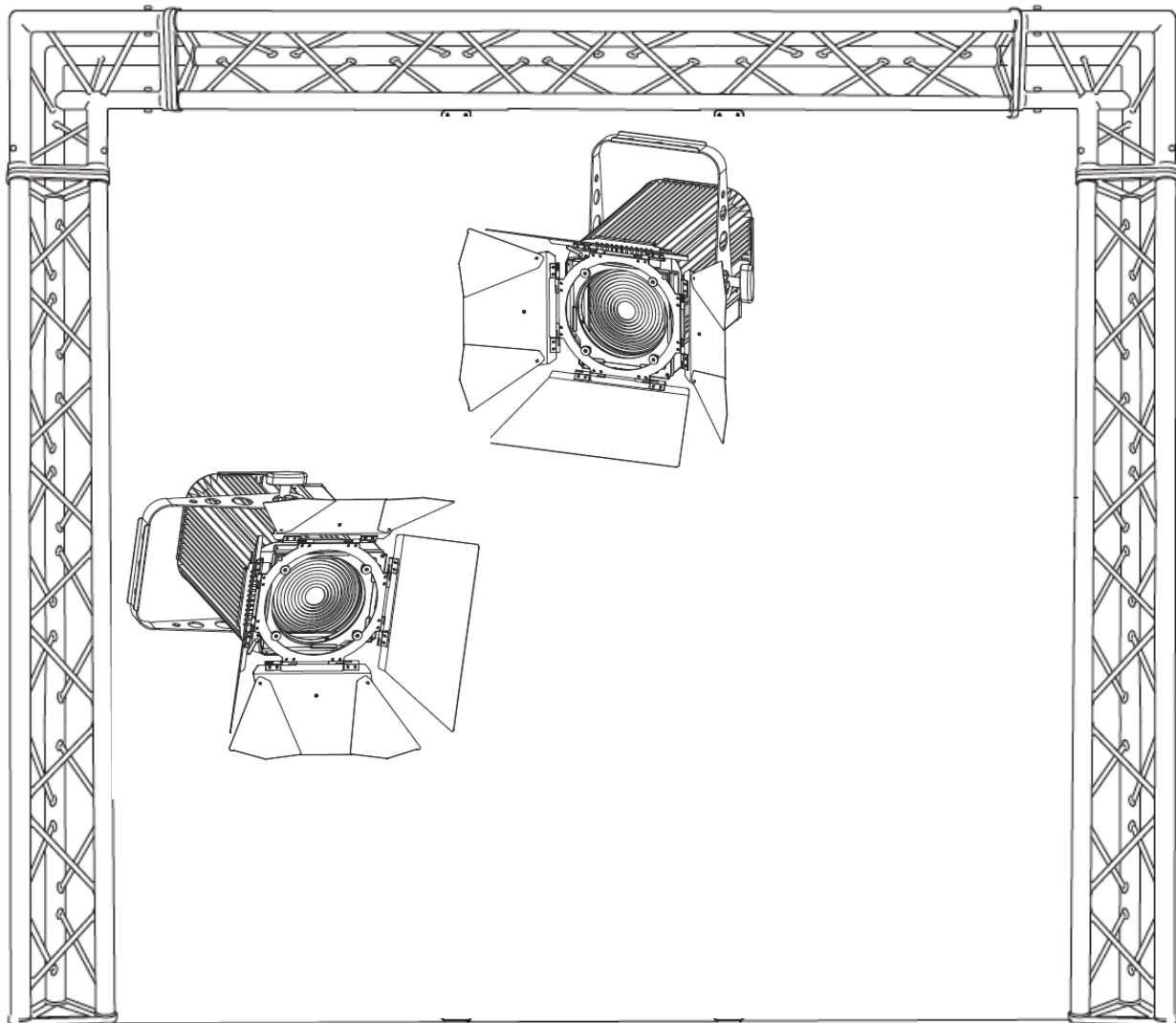


### CAUTIONS

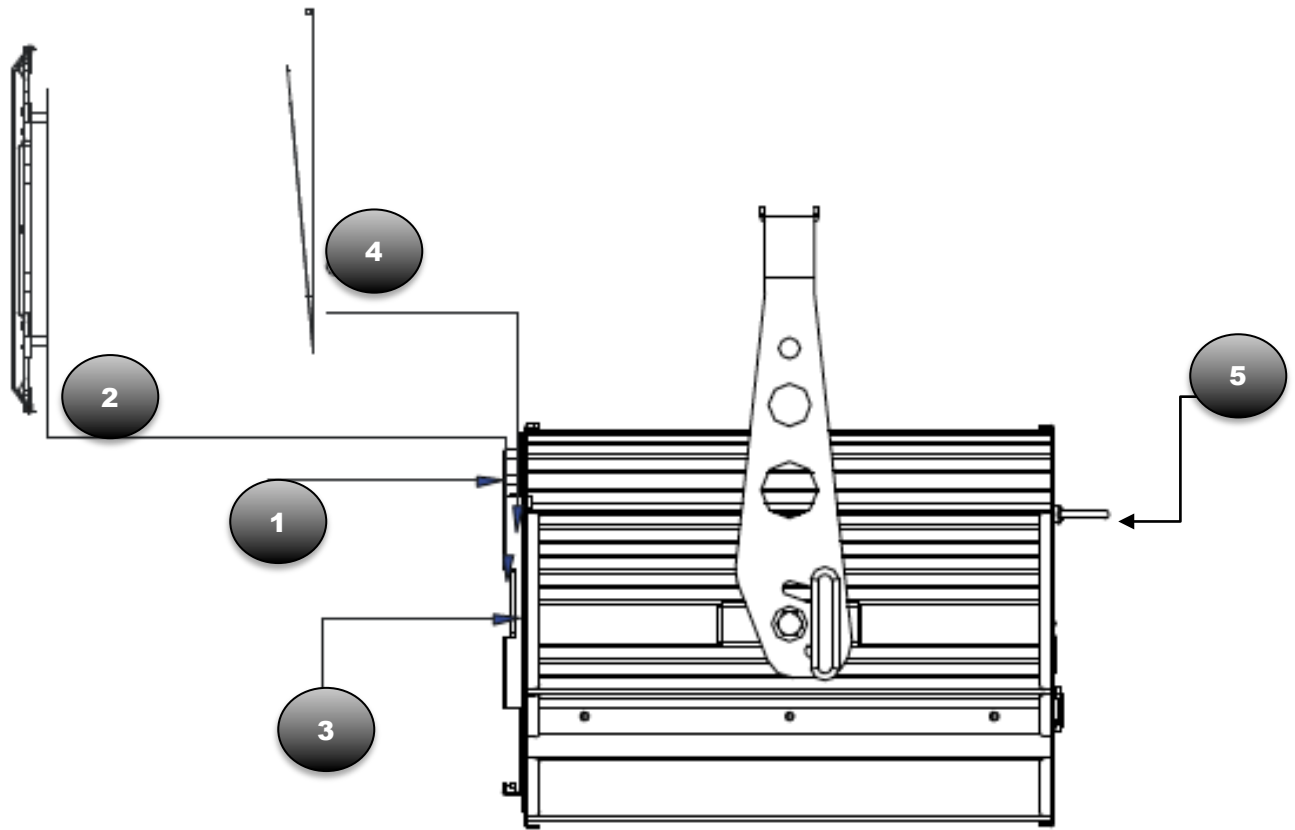
- The recommended MAX ambient temperature for this fixture is **104°F (40°C)**.
- For added protection, mount the fixture in areas outside walking paths, seating areas, or in areas where unauthorized personnel might reach the fixture.
- Before mounting the fixture to any surface, make sure the installation area can hold a minimum point load of 10 times the weight of the fixture.  
**(350 lbs / 158 kgs)**
- Fixture installation must always be secured with a secondary safety attachment, such as an appropriate safety cable.
- Never stand directly below the device when mounting, removing or servicing the fixture.

## MOUNTING POINTS

- Overhead mounting requires extensive experience, including amongst others calculating working load limits, installation material being used, and periodic safety inspection of all installation material and the device. If you lack these qualifications, do not attempt the installation yourself. Improper installation can result in bodily injury.
- Fixture is fully operational in any mounting position, hanging upside-down, or side mounted, and will remain steady no matter the angle of the fixture head.
- Be sure the fixture is kept at least 0.5m (1.5 feet) away from any flammable materials (decoration etc.).



## BARN DOOR & SAFETY CABLE INSTALLATION



1. Open the spring by hands.
2. Insert the barn door into the outside slot from topside.
3. Open the barn door, and then fasten the safety cable.
4. Insert the barn door into the inside slot from topside.
5. Pull the included Safety Cable through the hole on the backside of the fixture and over the trussing system or a safe installation point.



This step is a very important to ensure the fixture will not drop if the clamp fails.

## **UNDERSTANDING DMX**

### **DMX-512**

DMX is short for Digital Multiplex. This is a universal protocol used by most lighting and controller manufactures as a form of communication between intelligent fixtures and controllers. DMX allows all makes and models of different manufactures to be linked together and operate from a single controller. This is possible as long as all the fixtures and the controller are DMX compliant. A DMX controller sends the DMX data instructions to the fixture allowing the user to control the different aspects of an intelligent light. DMX data is sent out as serial data that travels from fixture to fixture via data “IN” and data “OUT” XLR terminals located on the fixtures (most controllers will only have output jacks).

### **DMX LINKING**

To ensure proper DMX data transmission, always use proper DMX cables and a terminator. When using several DMX fixtures try to use the shortest cable path possible. Never split a DMX line with a “Y” style connector. The order in which the fixtures are connected in a DMX line does not influence the DMX addressing. For example; a fixture assigned a starting DMX address of 1 may be placed anywhere in the DMX chain, at the beginning, at the end, or anywhere in the middle. The DMX controller knows to send data assigned to address 1 to that fixture no matter where it is located in the DMX chain. The **TVL F1CW™** can be controlled via DMX-512 protocol. The **TVL F1CW™** is a 2-channel DMX fixture. The DMX address is set electronically using the controls on the LCD menu.

### **DATA CABLE (DMX Cable) REQUIREMENTS (For DMX and Master/Slave Operation)**

Your fixture and your DMX controller require a standard 3-pin or 5-pin XLR connector for data input and data output (see figure below). If you are making your own cables, be sure to use two conductor, shielded digital DMX cable rated at 120 ohms; this cable is designed for DMX transmission and may be purchased from your Elation dealer or at most professional lighting retailers. Your cables should be made with a male and female XLR connector on either end of the cable. Also, remember that a DMX line must be daisy chained and cannot be split, unless using an approved DMX splitter such as the Elation Opto Branch 4™ or DMX Branch/4™.

DMX Output  
3-Pin XLR Socket



DMX Input  
3-Pin XLR Socket



1: Ground  
2: Data (-)  
3: Data (+)

DMX Output  
5-Pin XLR Socket



DMX Input  
5-Pin XLR Socket



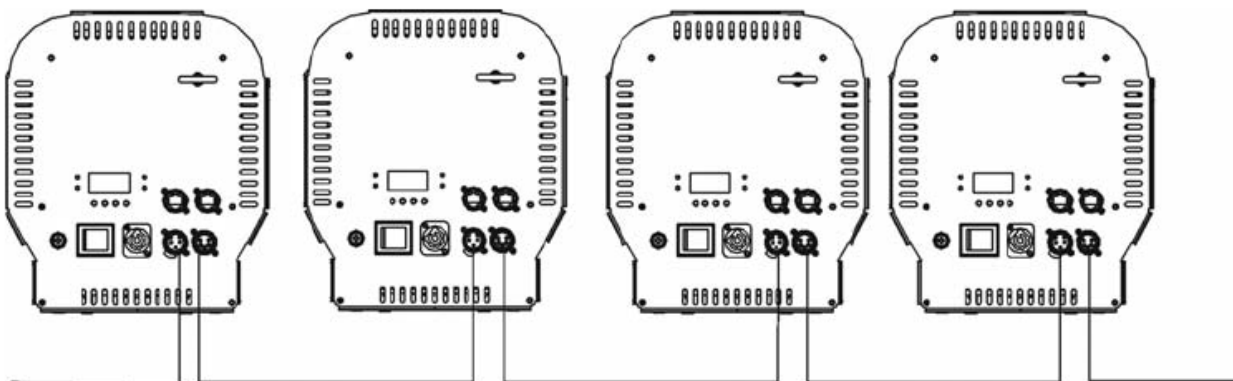
1: Ground  
2: Data (-)  
3: Data (+)  
4: Open  
5: Open



Be sure to follow the above figure when making your own cables. Do not use the ground lug on the XLR connector. Do not connect the cable's shield conductor to the ground lug or allow the shield conductor to come in contact with the XLR outer casing. Grounding the shield could cause a short circuit and erratic behavior.

### DMX-512 CONTROLLER CONNECTION

Connect the provided XLR cable to the female 5-pin XLR output of your controller and the other side to the male 5-pin XLR input of the **TVL F1CW™** (Please refer to the diagram below.). You can chain multiple panels together through serial linking. The cable that should be used is two conductor, shielded DMX cable with XLR input and output connectors. Always be sure daisy chain your in and out data connections, never split or “Y” your DMX connections unless you are using an approved DMX splitter such as the Elation Opto Branch 4™ or DMX Branch/4™.



Address 1

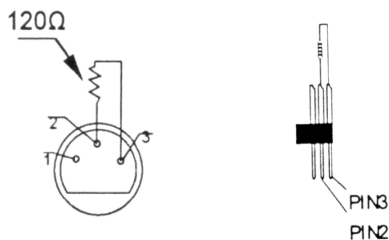
Address 3

Address 5

Address 7

### DMX-512 CONNECTION WITH DMX TERMINATOR

A DMX terminator should be used in all DMX lines especially in longer runs. The use of a terminator may avoid erratic behavior in your DMX line. A terminator is a 120 ohm 1/4 watt resistor that is connected between pins 2 and 3 of a male XLR connector (DATA + and DATA -). This fixture is inserted in the female XLR connector of the last fixture in your daisy chain to terminate the line. Using a *line terminator (Elation part: DMX T PACK)* will decrease the possibilities of erratic behavior.



Termination reduces signal errors and avoids signal transmission problems and interference. It is always advisable to connect a DMX terminal, (Resistance 120 Ohm 1/4 W) between PIN 2 (DMX-) and PIN 3 (DMX +) of the last fixture.

### 5-Pin XLR DMX CONNECTORS

Some manufactures use 5-pin XLR connectors for DATA transmission in place of 3-pin. 5-pin XLR fixtures may be implemented in a 3-pin XLR DMX line. When inserting standard 5-pin XLR connectors in to a 3-pin line a cable adaptor must be used, these adaptors are readily available at most electric stores. The following chart details a proper cable conversion.

3-Pin XLR to 5-Pin XLR Conversion		
Conductor	3-Pin XLR Female (Out)	5-Pin XLR Male (In)
Ground/Shield	Pin 1	Pin 1
Data Compliment (- signal)	Pin 2	Pin 2
Data True (+ signal)	Pin 3	Pin 3
Not Used		Pin 4 - Do Not Use
Not Used		Pin 5 - Do Not Use

## DMX ADDRESSING

All fixtures should be given a DMX starting address when using a DMX controller, so the correct fixture responds to the correct control signal. This digital starting address is the channel number from which the fixture starts to “listen” to the digital control information sent out from the DMX controller. The allocation of this starting DMX address is achieved by setting the correct DMX address on the digital display located on the back of the fixture.

You can set the same starting address for all fixtures or a group of fixtures, or set different address for each individual fixture. Be advised that setting all fixtures to the same DMX address will subsequently control all fixtures in the same fashion, in other words, changing the settings of one channel will affect all the fixtures simultaneously.

If you set each fixture to a different DMX address, each unit will start to “listen” to the channel number you have set, based on the quantity of control channels (DMX channels) of each fixture. That means changing the settings of one channel will only affect the selected fixture.

In the case of the **TVL F1CW™**, when in 2 channel mode (default can also be set to 1), you should set the starting DMX address of the first unit to 1, the second unit to 3 (1 + 2), the third unit to 5 (3 + 2), the fourth unit to 7 (5 + 2) and so on.

**Note:** During start-up the **TVL F1CW™** will automatically detect whether a DMX data signal is being received or not. If DMX data signal is being received, the display will show "**Addr=XXX**" (**XXX** representing the actual DMX address). If the fixture is not receiving a DMX signal the display will flash. If your fixture is connected to a DMX controller and the display is flashing (not receiving a DMX signal), please check the following:

- The 3-PIN or 5-PIN XLR input plug (cable with DMX signal from controller) is not connected or is not inserted completely into the DMX input jack of the fixture.
- The DMX controller is switched off or defective.
- The DMX cable or connector is defective.
- A DMX terminator has been inserted into the last fixture in your DMX chain.



## FIXTURE MENU

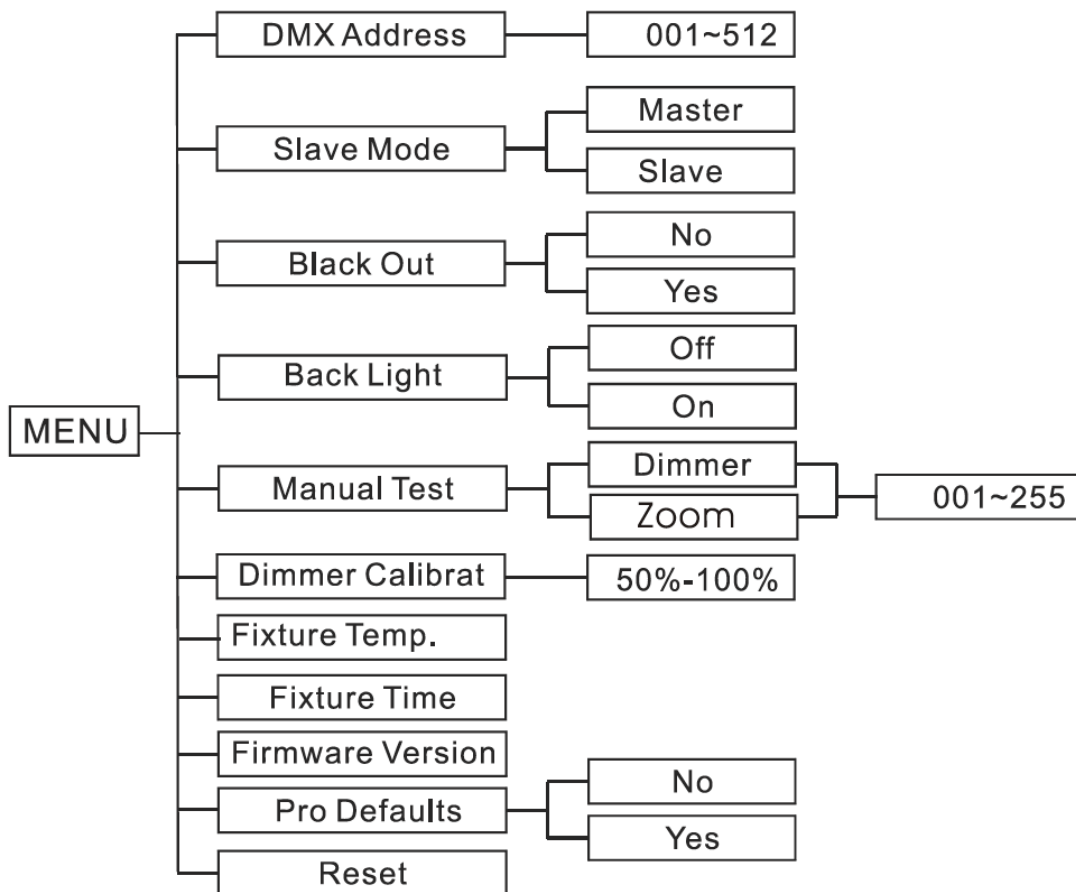
### ON-BOARD SYSTEM MENU

The **TVL F1CW™** comes with an easy to navigate system menu. The next section will detail the functions of each command in the system menu.

### LED CONTROL PANEL

The control panel (see image below) located on back of the fixture allows you to access the system menu and make all necessary adjustments to the **TVL F1CW™**. To select any menu functions, press the **MENU** until the desired menu is displayed. Select the function by pressing **ENTER** and the display will flash. Use the **UP** and **DOWN** buttons to change the mode of the menu item. Once the desired mode has been selected, press the **ENTER** button to confirm your selection or the display will automatically return to the main menu without any change after being idle for 60 seconds. Exit a menu at any time without making any adjustments by pressing the **MENU** button.





### DMX Address

Press **MENU** and **UP** and **DOWN** buttons to select **DMX Address**, press the **ENTER** button to confirm and the present address will flash on the display. Use the **UP** and **DOWN** buttons to adjust the DMX address from **1** to **512**. Once the desired DMX address has been selected, press the **ENTER** button to confirm selection. To go back to the functions menu without any change press the **MENU** button again. Press and hold the **MENU** button about one second or wait for 60 seconds to exit the menu mode.

### Slave Mode

Press **MENU** and **UP** and **DOWN** buttons to select **Slave Mode**, press the **ENTER** button to confirm and the present mode will flash on the display. Use the **UP** and **DOWN** buttons to select the **Master** or **Slave Modes**. Once the desired mode has been selected, press the **ENTER** button to confirm selection. To go back to the functions menu without any change press the **MENU** button again. Press and hold the **MENU** button about one second or wait for 60 seconds to exit the menu mode.

## Black Out

Press **MENU** and **UP** and **DOWN** buttons to select **Black Out**, press the **ENTER** button to confirm and the present mode will flash on the display. Use the **UP** and **DOWN** buttons to select **Yes** (yes blackout) or **No** (no blackout). Once desired the mode has been selected, press the **ENTER** button to confirm selection. To go back to the functions menu without any change press the **MENU** button again. Press and hold the **MENU** button about one second or wait for 60 seconds to exit the menu mode.

## Back Light

Press **MENU** and **UP** and **DOWN** buttons to select **Back Light**, press the **ENTER** button to confirm and the present mode will flash on the display. Use the **UP** and **DOWN** buttons to select **On** (LED ON) or **Off** (LED OFF). Once the desired mode has been selected, press the **ENTER** button to confirm selection. To go back to the functions menu without any change press the **MENU** button again. Press and hold the **MENU** button about one second or wait for 60 seconds to exit the menu mode

## Manual Test

Press **MENU** and **UP** and **DOWN** buttons to select **Manu Test**, press the **ENTER** button to confirm and the present mode will flash on the display. Use the **UP** and **DOWN** buttons to select the **Dimmer** or **Zoom Modes**. Once the desired mode has been selected, press the **ENTER** button to confirm selection. Use the **UP** and **DOWN** buttons to change the value (0-255). Once the desired mode has been selected, press the **ENTER** button to confirm selection. To go back to the functions menu without any change press the **MENU** button again. Press and hold the **MENU** button about one second or wait for 60 seconds to exit the menu mode.

## Dimmer Calibrat

Press **MENU** and **UP** and **DOWN** buttons to select **Dimmer Calibrat**, press the **ENTER** button to confirm and the present mode will flash on the display. Use the **UP** and **DOWN** buttons to adjust the value from **50%** to **100%**. Once the desired value has been selected, press the **ENTER** button to confirm selection. To go back to the functions menu without any change press the **MENU** button again. Press and hold the **MENU** button about one second or wait for 60 seconds to exit the menu mode.

### **Fixture Temp**

Press **MENU** and **UP** and **DOWN** buttons to select **Fixture Temp**, press **ENTER** button to confirm and the present mode will flash on the display. Pressing **ENTER** button will show the temperature of the unit. To go back to the functions menu without any change press the **MENU** button again. Press and hold the **MENU** button about one second or wait for 60 seconds to exit the menu mode.

### **Fixture Time**

Press **MENU** and **UP** and **DOWN** buttons to select **MENU** and **UP** and **DOWN** buttons to select **Fixture Time**, press **ENTER** button to confirm and the present mode will flash on the display. Pressing **ENTER** button will show the temperature of the unit. To go back to the functions menu without any change press the **MENU** button again. Press and hold the **MENU** button about one second or wait for 60 seconds to exit the menu mode.

### **Firmware Version**

Press **MENU** and **UP** and **DOWN** buttons to select **Firmware Version**, press **ENTER** button to confirm and the present mode will flash on the display. Pressing **ENTER** button will show the temperature of the unit. To go back to the functions menu without any change press the **MENU** button again. Press and hold the **MENU** button about one second or wait for 60 seconds to exit the menu mode.

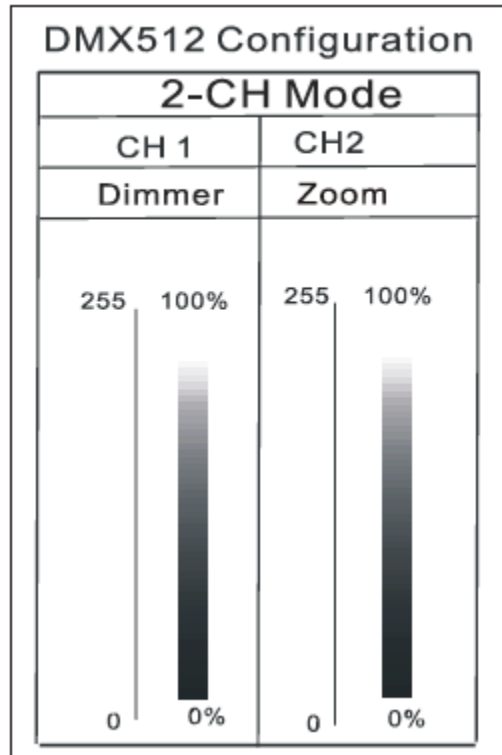
### **PRO Defaults**

Press **MENU** and **UP** and **DOWN** buttons to select **PRO Defaults**, press **ENTER** button to confirm and the present mode will flash on the display. Pressing **ENTER** button will show the temperature of the unit. To go back to the functions menu without any change press the **MENU** button again. Press and hold the **MENU** button about one second or wait for 60 seconds to exit the menu mode.

### **Reset**

Press **MENU** and **UP** and **DOWN** buttons to select **Reset**, press **ENTER** button and fixture will reset all functions to factory settings.

# DMX CHANNEL FUNCTIONS AND VALUES



## CLEANING AND MAINTENANCE



### CAUTION!

Disconnect from mains before starting maintenance operation.

### CLEANING

Frequent cleaning is recommended to insure proper function and an extended fixture life. Cleaning frequency depends on the environment in which the fixture operates: damp, smoky, or dirty surrounding areas can cause greater accumulation of dirt on the fixture's optics.

- Clean LED lens with soft cloth surface weekly to avoid dust accumulation.
- Never use alcohol or solvents.

### MAINTENANCE

Regular inspections are recommended to insure proper function and an extended life. There are no user serviceable parts inside this fixture, please refer all other service issues to an authorized Elation service technician. Should you need any spare parts, please order genuine parts from your local Elation dealer.

Please refer to the following points during routine inspections:

- A detailed electric check by an approved electrical engineer every three months, to make sure the circuit contacts are in good condition and prevent overheating.
- Be sure all screws and fasteners are securely tightened at all times. Loose screws may fall out during normal operation resulting in damage or injury as larger parts could fall.
- Check for any deformations on the housing, color lenses, rigging hardware and rigging points (ceiling, suspension, trussing). Deformations in the housing could allow for dust to enter into the fixture. Damaged rigging points or unsecured rigging could cause the fixture to fall and seriously injure a person(s).
- Electric power supply cables must not show any damage, material fatigue or sediments. Never remove the ground prong from the power cable.

## TECHNICAL SPECIFICATIONS

### FEATURES

12° - 40° Motorized Zoom  
DMX Controlled Dimmer/Zoom  
Flicker FREE Operation for TV and FILM  
No Noise Thermo-Optical Cooling Technology

### SOURCE

(1) 100W Cool White LED Engine  
50,000 Hour Average Life

### PHOTOMETRIC DATA

High CRI = 95 / 34.64 Lm/W 5,600K (± 200K)  
3,350 Max LUX @5M (12° Full On 5,600K)

### EFFECTS

Zoom: 12° - 40°  
Dimming: 0% - 100%

### CONTROL / CONNECTIONS

4 Button Control LED Menu Display Panel  
2 DMX Channels  
5pin DMX In/Out  
2 Ethernet (RJ45) Ports  
powerCON Power In

### SIZE / WEIGHT

Length: 20.4" (519 mm)  
Width: 16" (407 mm)  
Vertical Height: 17.4" (442 mm)  
Weight: 35 lbs. (15.8 kg)

### ELECTRICAL / THERMAL

AC 100-240V - 50/60Hz  
141W Max Power Consumption  
40°C / 104°F Max Ambient Temperature

### APPROVALS / RATINGS

CE pending  
cETLus pending  
IP20 Rated

### INSTALLATION

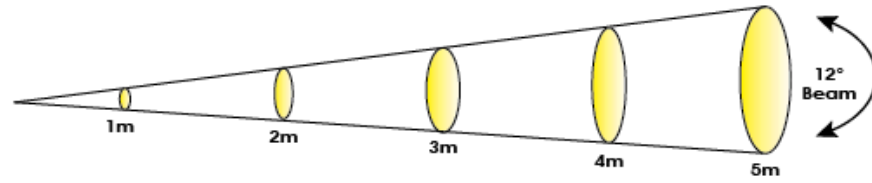
Rigging: Clamps (Not Included)  
Working Position: Any (360°)

### INCLUDED ITEMS

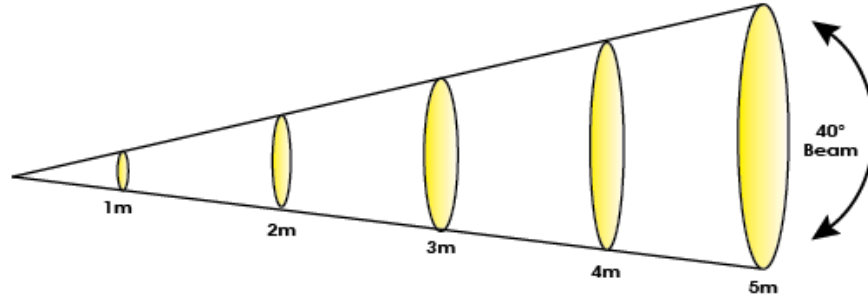
Integrated Yoke/Handle  
powerCON Cable  
Rotating Barn Door  
Gel Frame

**Please Note: Specifications and improvements in the design of this unit and this manual are subject to change without any prior written notice.**

### PHOTOMETRIC DATA

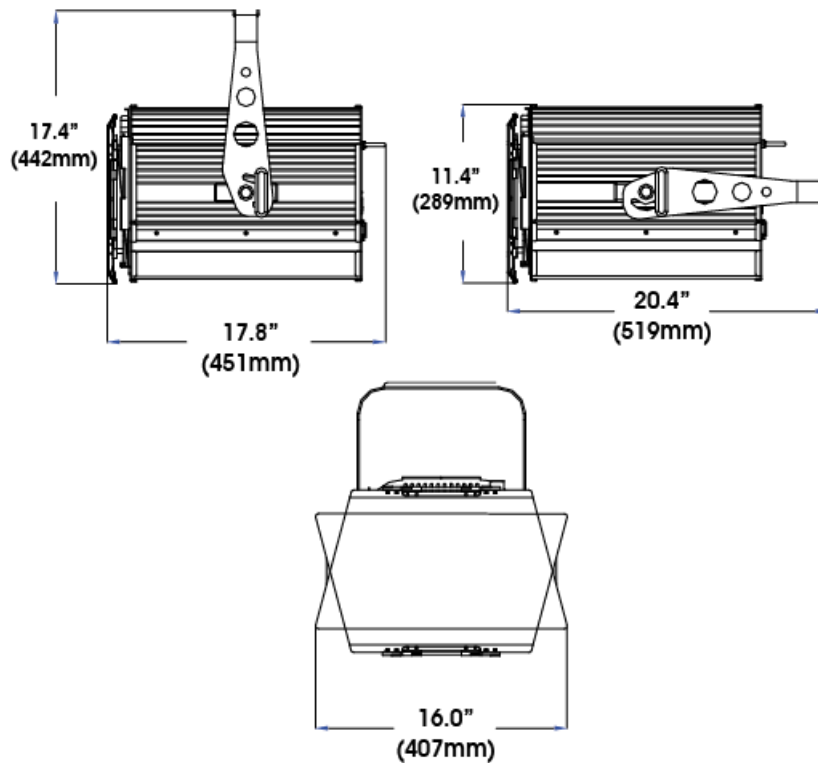


12°	m	ft	m	ft	m	ft	m	ft	m	ft
Distance	1	3.3	2	6.6	3	9.8	4	13.1	5	16.4
	lux	fc	lux	fc	lux	fc	lux	fc	lux	fc
FULL ON	66,130	6,143	20,070	1,865	9,897	919	5,207	484	3,350	311



40°	m	ft	m	ft	m	ft	m	ft	m	ft
Distance	1	3.3	2	6.6	3	9.8	4	13.1	5	16.4
	lux	fc	lux	fc	lux	fc	lux	fc	lux	fc
FULL ON	14,400	1,338	4,745	441	2,457	228	1,385	129	940	87

### DIMENSIONAL DRAWINGS



Please Note: Specifications and improvements in the design of this unit and this manual are subject to change without any prior written notice.



## OPTIONAL ACCESSORIES

ORDER CODE	ITEM
<b>TRIGGER CLAMP</b>	Heavy Duty Wrap Around Hook Style Clamp
<b>LSF536</b>	Light Shaping Filter 30° 20" x 24" Sheet
<b>LSF537</b>	Light Shaping Filter 20° 20" x 22" Sheet
<b>LSF538</b>	Light Shaping Filter 60° x 1° 20" x 24" Sheet
<b>LSF559</b>	Light Shaping Filter 10° 20" x 24" Sheet
<b>EWDMSYSTEM</b>	Wireless DMX System (1 Transmitter, 1 Receiver)
<b>EWDMT</b>	Wireless DMX Transmitter
<b>EWDMR</b>	Wireless DMX Receiver
<b>AC5PDMX5PRO</b>	5 ft. (1.5m) 5pin PRO DMX Cable
<b>AC5PDMX10PRO</b>	10 ft. (3m) 5pin PRO DMX Cable
<b>AC5PDMX15PRO</b>	15 ft. (4.5m) 5pin PRO DMX Cable
	Additional cable lengths available: 25, 50, 100 ft (7.5, 15.2, 30.5m)

