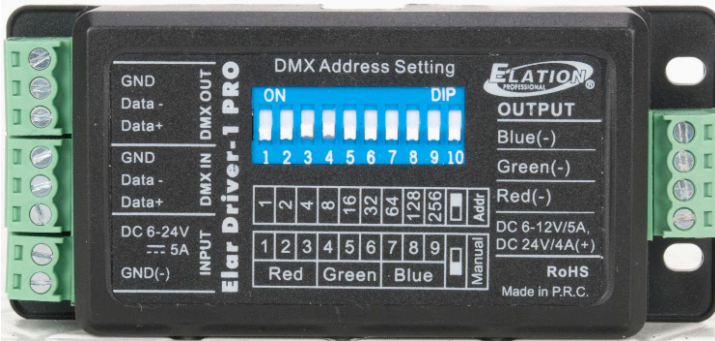




## ELAR DRIVER1 PRO™

SKU# ELAR DRIVER1 PRO

The ELAR DRIVER1 PRO™ is an ETL listed RGB LED driver which provides 3 channel RGB control and flicker free 2,000 Hz PWM dimming via DMX-512 and manual RGB variable intensity control via onboard dip switches. The driver is contained in a compact polycarbonate housing and includes 12-14 AWG wire terminal blocks for 2-pin power, 3-pin DMX in/out, and 4-pin LED connections, dip switches for DMX addressing, and is powered by 6-24VDC 5A. Its small compact design allows for easy mounting and integration into any system and includes a linking clip to attach additional drivers together.



### FEATURES

- Compact RGB LED Driver
- 3 Channel RGB DMX-512 Control
- Manual RGB Variable Intensity Control
- Flicker Free 2,000 Hz PWM Dimming via DMX-512
- 12-14 AWG Wire Terminal Block Connections
- 6-24VDC 5A Power Requirement

### CONTROL / CONNECTIONS

- DMX IN via 3pin Terminal Block (included)
- POWER IN via 2pin Terminal Block (included)
- DMX OUT via 3pin Terminal Block (included)
- DMX/POWER OUT via 4pin Terminal Block (included)

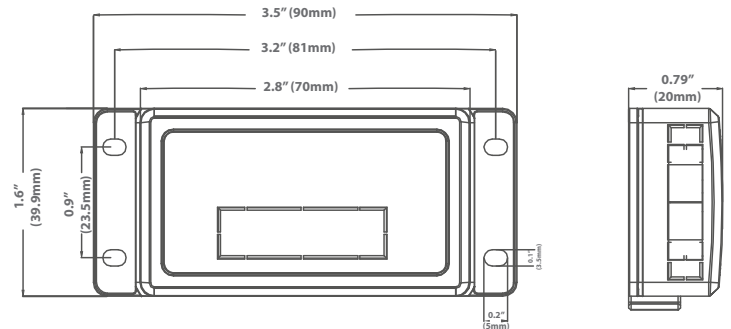
### SIZE / WEIGHT

- Length: 3.5" (90mm)
- Width: 1.6" (39.9mm)
- Height: 0.8" (20mm)
- Weight: 0.12 lbs. (0.05kg)

### ELECTRICAL / THERMAL

- Refresh Rate 2,000 Hz
- Power Input 6-24VDC 5A
- Power Output 6-12VDC 5A Max | 24VDC 4A Max
- 32°F to 104°F (0°C to 40°C)

### DIMENSIONAL DIAGRAMS



### OPTIONAL ACCESSORIES

ORDER CODE	ITEM
FLEX PSU4A	DC-12V 4A POWER SUPPLY



Specifications subject to change without notice ©Elation Professional 12/07/16

Elation Professional USA | 6122 S. Eastern Ave. | Los Angeles, CA. 90040  
323-582-3322 | 323-832-9142 fax | www.elationlighting.com | info@elationlighting.com

Elation Professional B.V. | Junostraat 2 | 6468 EW Kerkrade, The Netherlands  
+31 45 546 85 66 | +31 45 546 85 96 fax | www.elationlighting.eu | info@elationlighting.eu