

Design LED Par Zoom MH Dimensions

The Design LED Par Zoom MH by Elation Professional features 36 x 3 watt LEDs and a 10° to 60° motorized zoom with smooth color mixing and flicker free operation. Additional features include automatic pan/tilt correction, minimal heat emission, low power consumption and pre-programmed colored macros. The firmware is upgradable via Elation E-Load programming device. Control data input is via 3 pin or 5 pin XLR serial input/output cables. This unit provides up to 100,000 hours estimated LED life. The Design LED Par Zoom MH is rated IP 20 and is ideal for indoor use only. Rigging for this unit includes 2 x 1/4 turn fastening Omega clamps.

FEATURES

- Rugged Design Par
- 36 x 3 watt LEDs - 12 red, 12 blue, 12 green
- Die Cast Aluminum Case
- 10° to 60° motorized zoom
- On board menu settings
- Smooth Color Mixing Flicker Free
- Electronic Shutter/Strobe
- Electronic Dimming
- Automatic Pan / Tilt position correction
- Maximum PAN-movement 630° in 2.0 secs (default) or 540° (user selectable) / 16 bit
- Maximum TILT-movement 265° in 1.5 secs / 16 bit
- Firmware Upgradable via Elation E-Load Programming Device

TECHNICAL SPECIFICATIONS

- **DMX Channels:** 13 or 11 DMX Channel operation, RDMX - Remote DMX Addressing
- **Control:** 3-pin & 5-pin XLR serial input/output USITT DMX-512 (16-bit resolution)
- **Dimmer:** 0-100%
- **Strobe:** Maximum rate of 18 flashes per second - white or color
- **Lux:** 2,312 Lux / 215 FC @ 1m
- **IP Rating:** IP 20
- **Power Supply:** 120v~240V 50/60Hz
- **Power Consumption:** 150W Maximum
- **Lamp life:** 100,000 hours rated LEDs
- **Dimensions:** (LxWxH) 20" x 16.9" x 13.9" / 505 x 429 x 353mm
- **Weight:** 42 lbs. / 19 kg
- **Rigging:** 2 X 1/4 turn fastening Omega Clamps



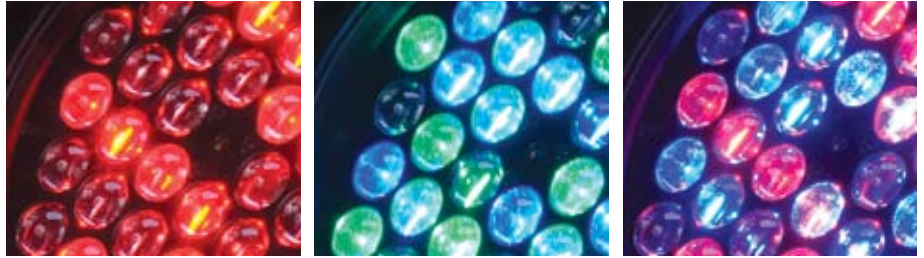
Design LED Par Zoom MH

SKU # EDL492



COLORS

- 36 x 3 watt LEDs
 - 12 red, 12 blue, 12 green
- Step-less, smooth RGB additive color mixing, 16.7 million colors (24bit)



PHOTOMETRICS

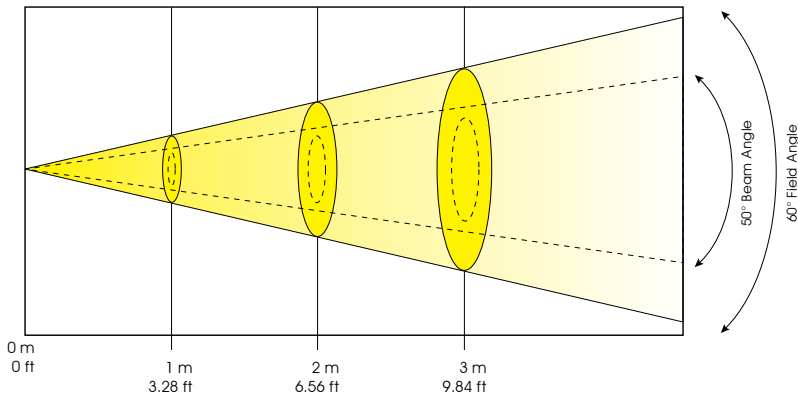
DLED Par Zoom MH

Photometric Beam Angle Data

50° Beam Angle / 60° Field Angle (25° Lens)

LUX x 0.0929 = FC

R (12)	44 FC / 470 LUX	10 FC / 105 LUX	4 FC / 47 LUX
G (12)	148 FC / 1596 LUX	37 FC / 398 LUX	17 FC / 182 LUX
B (12)	19 FC / 204 LUX	5 FC / 52 LUX	2 FC / 24 LUX
Full (36)	215 FC / 2312 LUX	51 FC / 550 LUX	23 FC / 251 LUX



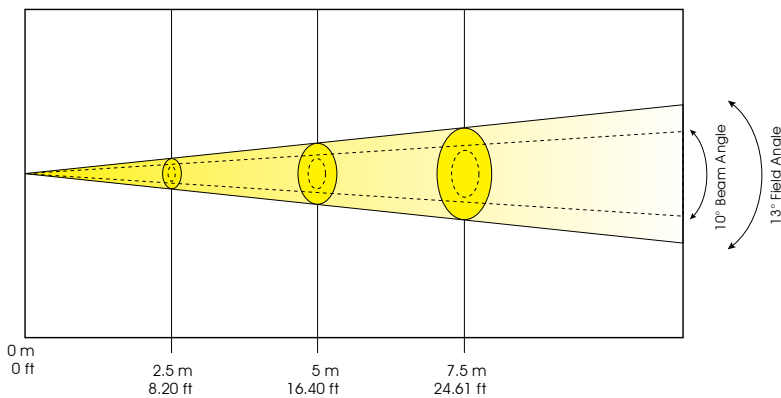
Beam Diameter

50° Beam Angle	∅ 1.15 m / ∅ 3.77 ft	∅ 2.30 m / ∅ 7.55 ft	∅ 3.45 m / ∅ 11.32 ft
60° Field Angle	∅ 0.94 m / ∅ 3.08 ft	∅ 1.88 m / ∅ 6.17 ft	∅ 2.82 m / ∅ 9.25 ft

10° Beam Angle (Minimum Beam Angle) / 13° Field Angle

LUX x 0.0929 = FC

R (12)	81 FC / 868 LUX	20 FC / 218 LUX	9 FC / 95 LUX
G (12)	424 FC / 4562 LUX	111 FC / 1192 LUX	50 FC / 530 LUX
B (12)	61 FC / 660 LUX	15 FC / 162 LUX	7 FC / 72 LUX
Full (36)	613 FC / 6600 LUX	146 FC / 1573 LUX	65 FC / 695 LUX



Beam Diameter

10° Beam Angle	∅ 0.30 m / ∅ 1.00 ft	∅ 0.60 m / ∅ 2.00 ft	∅ 0.90 m / ∅ 3.00 ft
13° Field Angle	∅ 0.58 m / ∅ 2.00 ft	∅ 1.16 m / ∅ 3.81 ft	∅ 1.74 m / ∅ 5.71 ft

13 Channel DMX Mode: (Default)

Channel	Value	Function
1	0 - 255	Pan movement - max 540°
2	0 - 255	Pan fine 16bit
3	0 - 255	Tilt movement - max. 265°
4	0 - 255	Tilt movement 16bit (tilt fine)
5	0 - 255	Red LEDs
6	0 - 255	Green LEDs
7	0 - 255	Blue LEDs
8	0 - 255	Rainbow control (built-in color macros)
9	0 - 255	Zoom (variable 15°-60°)
10	0 - 255	Strobe Control (0~13Hz, Variable, Random, Pulse)
11	0 - 255	Dimmer control
12	0 - 255	Speed Control (Pan/Tilt movement, blackout selection)
13	0 - 255	Special (Auto program control and motor reset)

The chart below details the channel layout for 13 DMX channels (default).

In 8bit mode the "Pan Fine" and "Tilt Fine" channels are not used, thus converting the fixture into an 11-channel DMX fixture.

