

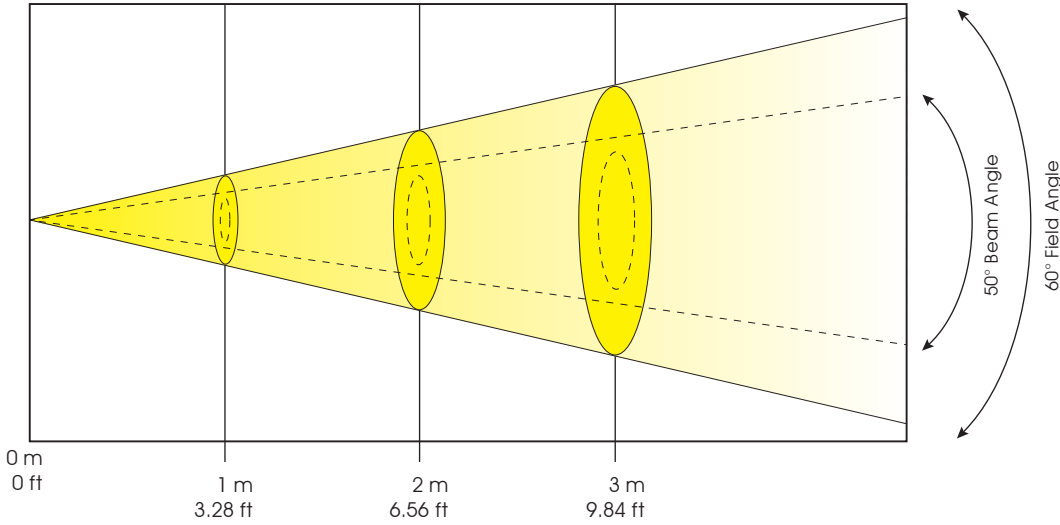
DLED Par Zomm MH
Photometric Beam Angle Data



50° Beam Angle / 60° Field Angle (25° Lens)

LUX x 0.0929 = FC

R (12)	44 FC / 470 LUX	10 FC / 105 LUX	4 FC / 47 LUX
G (12)	148 FC / 1596 LUX	37 FC / 398 LUX	17 FC / 182 LUX
B (12)	19 FC / 204 LUX	5 FC / 52 LUX	2 FC / 24 LUX
Full (36)	215 FC / 2312 LUX	51 FC / 550 LUX	23 FC / 251 LUX



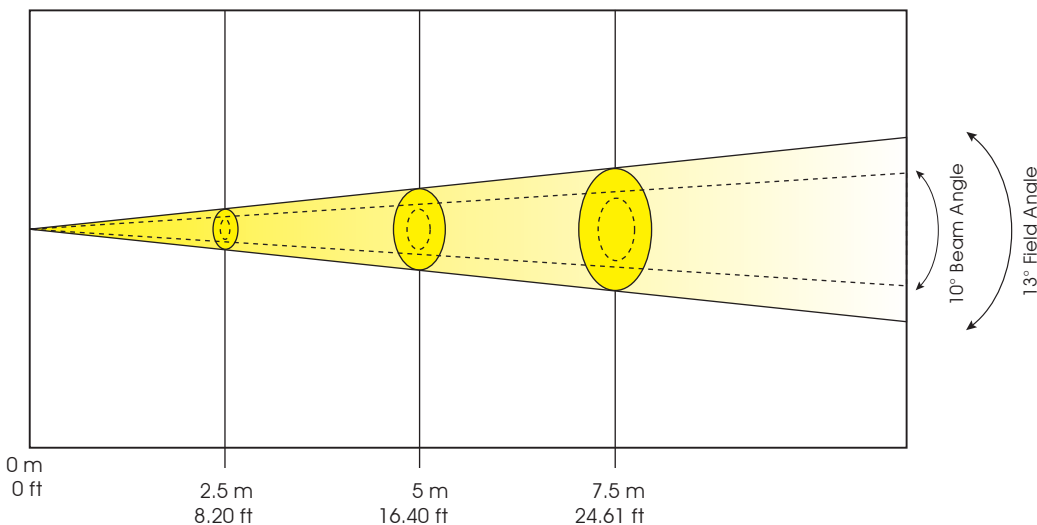
Beam Diameter

50° Beam Angle	Ø 1.15 m / Ø 3.77 ft	Ø 2.30 m / Ø 7.55 ft	Ø 3.45 m / Ø 11.32 ft
60° Field Angle	Ø 0.94 m / Ø 3.08 ft	Ø 1.88 m / Ø 6.17 ft	Ø 2.82 m / Ø 9.25 ft

10° Beam Angle (Minimum Beam Angle) / 13° Field Angle

LUX x 0.0929 = FC

R (12)	81 FC / 868 LUX	20 FC / 218 LUX	9 FC / 95 LUX
G (12)	424 FC / 4562 LUX	111 FC / 1192 LUX	50 FC / 530 LUX
B (12)	61 FC / 660 LUX	15 FC / 162 LUX	7 FC / 72 LUX
Full (36)	613 FC / 6600 LUX	146 FC / 1573 LUX	65 FC / 695 LUX



Beam Diameter

10° Beam Angle	Ø 0.30 m / Ø 1.00 ft	Ø 0.60 m / Ø 2.00 ft	Ø 0.90 m / Ø 3.00 ft
13° Field Angle	Ø 0.58 m / Ø 2.00 ft	Ø 1.16 m / Ø 3.81 ft	Ø 1.74 m / Ø 5.71 ft