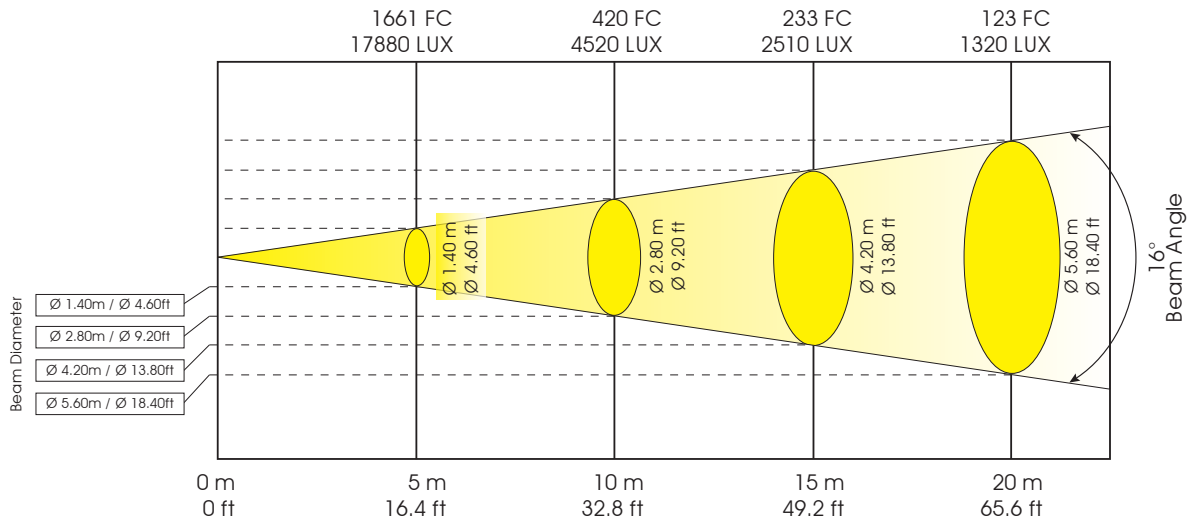


Design Spot 1200C
Photometric Beam Angle Data

Minimum Beam Angle 16°

LUX x 0.0929 = FC



Design Spot 1200C
Photometric Beam Angle Data

Maximum Beam Angle 41°

LUX x 0.0929 = FC

