

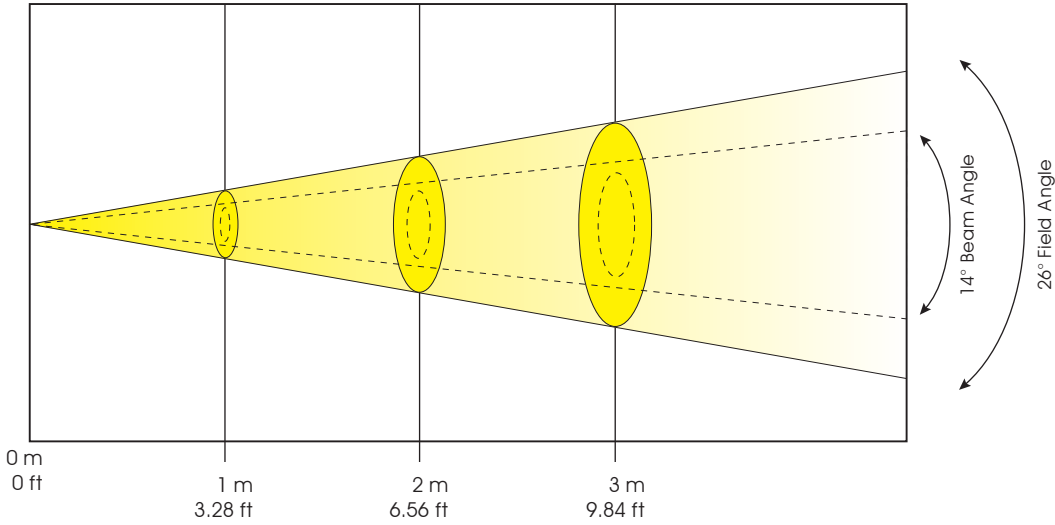
DLED 36 Brick
Photometric Beam Angle Data



Standard 25° Lens Kit: 14° Beam Angle / 26° Field Angle

LUX x 0.0929 = FC

R (4)	130 FC / 1,394 LUX	40 FC / 430 LUX	19 FC / 202 LUX
G (4)	245 FC / 2,635 LUX	77 FC / 827 LUX	36 FC / 387 LUX
B (4)	44 FC / 470 LUX	14 FC / 154 LUX	9 FC / 95 LUX
Full (12)	358 FC / 3,850 LUX	110 FC / 1,182 LUX	51 FC / 548 LUX



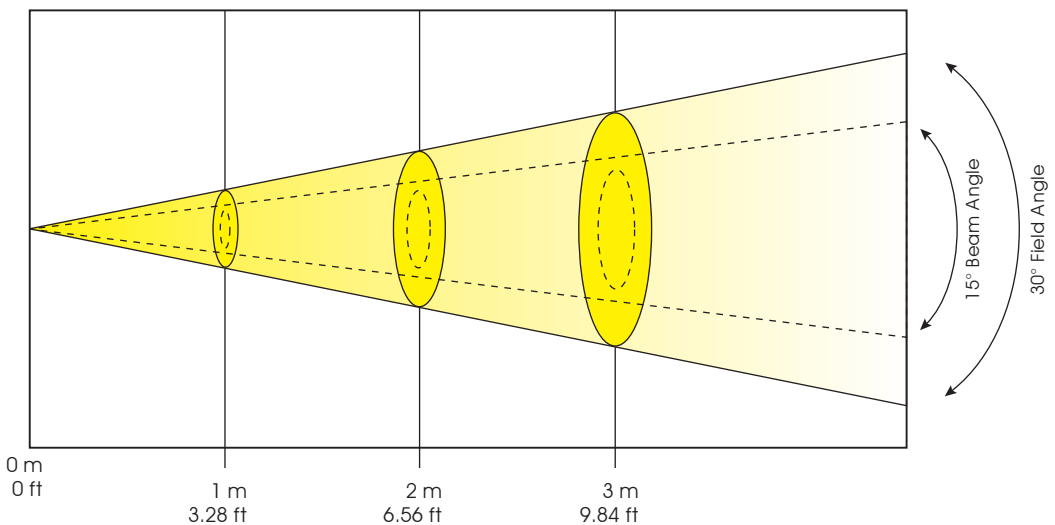
Beam Diameter

14° Beam Angle	Ø 0.25 m / Ø 0.82 ft	Ø 0.50 m / Ø 1.64 ft	Ø 0.75 m / Ø 2.50 ft
26° Field Angle	Ø 0.47 m / Ø 1.54 ft	Ø 0.94 m / Ø 3.08 ft	Ø 1.41 m / Ø 4.63 ft

Optional 45° Lens Kit: 15° Beam Angle / 30° Field Angle

LUX x 0.0929 = FC

R (4)	104 FC / 1,119 LUX	34 FC / 362 LUX	17 FC / 180 LUX
G (4)	230 FC / 2,466 LUX	68 FC / 727 LUX	32 FC / 340 LUX
B (4)	41 FC / 440 LUX	14 FC / 148 LUX	7 FC / 78 LUX
Full (12)	331 FC / 3,570 LUX	98 FC / 1,059 LUX	49 FC / 524 LUX



Beam Diameter

15° Beam Angle	Ø 0.26 m / Ø 0.85 ft	Ø 0.52 m / Ø 1.71 ft	Ø 0.78 m / Ø 2.56 ft
30° Field Angle	Ø 0.53 m / Ø 1.74 ft	Ø 1.06 m / Ø 3.50 ft	Ø 1.59 m / Ø 5.21 ft