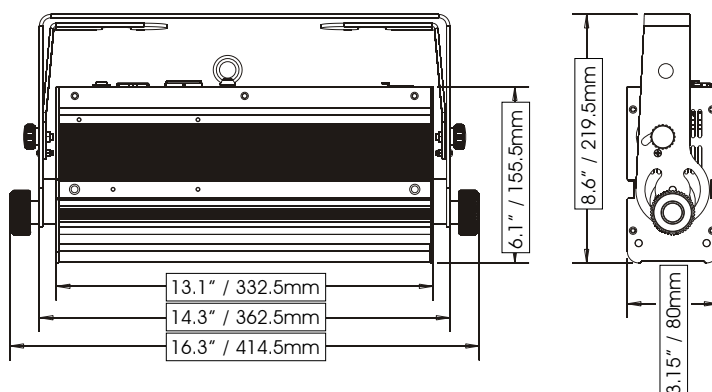


# Design LED 36 Brick



Design LED 36 Brick Dimensions

The Design LED 36 Brick (DLED 36 Brick) by Elation Professional is a high output, compact (fits in 12" box truss), LED color changer featuring seamless RGB color mixing using 12 x 3W LEDs by Seoul Semi Conductor, 36 Watts total - 4 Red, 4 Blue and 4 Green. This unit is convection cooled and provides up to 100,000 hours estimated LED life. The DLED 36 Brick is rated at IP 20, designed for indoor applications only and is fully operational in 3 mounting positions. The DLED 36 Brick includes a dual yoke mounting bracket for fixed installation or can be used as a split bracket for floor standing and separated for mounting multiple units together in a line for linear strip design. The unit can be operated from 100~240V (electronic switching power supply) and is AC linkable with IEC in/out connectors. Control data input is via 3 pin or 5 pin DMX data first in and out connector cables. The DLED 36 Brick also features low power consumption, minimal heat emission and flicker-free operation for television and film. The unit also features an on board 4 button control menu with 4 digit LED display for setting control address, modes, manual or auto programs. The unit comes fitted standard with a 25° lens kit producing a 14° beam angle and a 26° field angle. Optional 45° lens kit producing a 15° beam angle and a 30° field angle is available.

## FEATURES

- LED color changer
- 12 x 3W LEDs, 36 Watts total - 4 Red, 4 Blue and 4 Green
- Seamless RGB color changing
- Standard 25° lens kit: 14° beam angle, 26° field angle
- Optional 45° lens kit: 15° beam angle, 30° field angle
- 548 LUX @ 3 meters @ Full
- Rated IP 20
- Compact Design (fits in 12" box truss)
- Convection cooled
- Electronic ballast, multi-voltage
- IEC Power in/out
- Built-in Power Supply and DMX 512 Control
- Linkable power supply (in & out power connectors) up to 8 units
- LED display
- Standard and theatrical modes
- Flicker free operation
- Master/ Slave auto program and music trigger
- 8 built-in programs with Speed control
- Control each L.E.D. independently

## TECHNICAL SPECIFICATIONS

- **DMX Channels:** 3, 4, 6, 12 or 15 channel operation modes
- **Control:** USITT DMX-512, 3-pin and 5-Pin XLR serial input/output
- **Dimmer:** Continuous dimming 0-100%
- **Strobe:** Electronic strobe effect (25 fps)
- **IP Rating:** IP20
- **Power Supply:** Electronic switching power supply: 100~240V AC, 50/60Hz
- **Power Consumption:** 58.6W
- **Fuse:** GMA 220v~2A
- **Lamp:** 12 x 3 Watt led's by Seoul Semi Conductor 36-Watt Total (4 x Red, 4 x Green 4 x Blue)
- **Lamp life:** Long Life L.E.D. (rated at 100,000 Hours)
- **Dimensions:** (LxWxH): 16.3" x 8.7" x 3.1" / 415 x 220.98 x 78.74mm
- **Weight:** 9 lbs. / 4.1 kgs.
- **Rigging:** Mounting bracket and safety eye-hook installed. Safety cable & 3-pin data cable included

# Design LED 36 Brick



## COLORS

- 12 x 3 Watt led's by Seoul Semi Conductor  
36-Watt Total (4 x Red, 4 x Green 4 x Blue)
- Seamless RGB color mixing
- Infinite Color possibilities



## PHOTOMETRICS

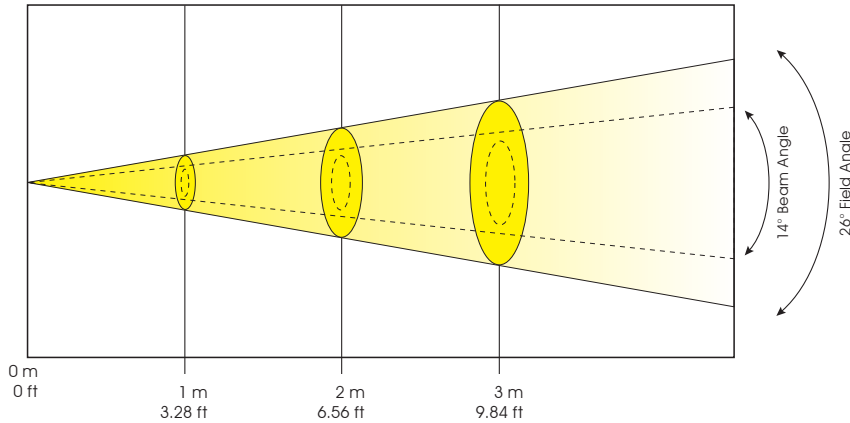
### DLED 36 Brick

#### Photometric Beam Angle Data

#### Standard 25° Lens Kit: 14° Beam Angle / 26° Field Angle

LUX x 0.0929 = FC

R (4)	130 FC / 1,394 LUX	40 FC / 430 LUX	19 FC / 202 LUX
G (4)	245 FC / 2,635 LUX	77 FC / 827 LUX	36 FC / 387 LUX
B (4)	44 FC / 470 LUX	14 FC / 154 LUX	9 FC / 95 LUX
Full (12)	358 FC / 3,850 LUX	110 FC / 1,182 LUX	51 FC / 548 LUX



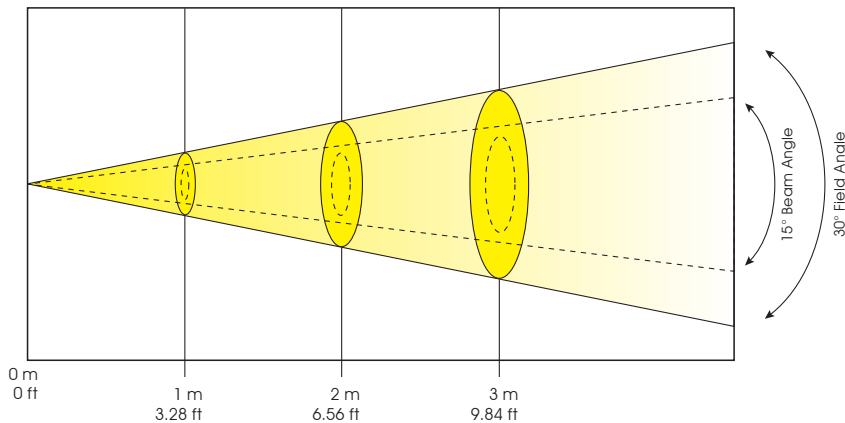
#### Beam Diameter

14° Beam Angle	Ø 0.25 m / Ø 0.82 ft	Ø 0.50 m / Ø 1.64 ft	Ø 0.75 m / Ø 2.50 ft
26° Field Angle	Ø 0.47 m / Ø 1.54 ft	Ø 0.94 m / Ø 3.08 ft	Ø 1.41 m / Ø 4.63 ft

#### Optional 45° Lens Kit: 15° Beam Angle / 30° Field Angle

LUX x 0.0929 = FC

R (4)	104 FC / 1,119 LUX	34 FC / 362 LUX	17 FC / 180 LUX
G (4)	230 FC / 2,466 LUX	68 FC / 727 LUX	32 FC / 340 LUX
B (4)	41 FC / 440 LUX	14 FC / 148 LUX	7 FC / 78 LUX
Full (12)	331 FC / 3,570 LUX	98 FC / 1,059 LUX	49 FC / 524 LUX



#### Beam Diameter

15° Beam Angle	Ø 0.26 m / Ø 0.85 ft	Ø 0.52 m / Ø 1.71 ft	Ø 0.78 m / Ø 2.56 ft
30° Field Angle	Ø 0.53 m / Ø 1.74 ft	Ø 1.06 m / Ø 3.50 ft	Ø 1.59 m / Ø 5.21 ft

## DMX TRAITS

### 3 Channel Mode (default):

Channel	Value	Function
1	0 - 255	Red (0 - black, 255 - 100% red)
2	0 - 255	Green (0 - black, 255 - 100% green)
3	0 - 255	Blue (0 - black, 255 - 100% blue)

### 4 Channel Mode:

Channel	Value	Function
1	0 - 255	Red (0 - black, 255 - 100% red)
2	0 - 255	Green (0 - black, 255 - 100% green)
3	0 - 255	Blue (0 - black, 255 - 100% blue)
4	0 - 255	Dimmer/Speed

### 6 Channel Mode:

Channel	Value	Function
1	0 - 255	Red (0 - black, 255 - 100% red)
2	0 - 255	Green (0 - black, 255 - 100% green)
3	0 - 255	Blue (0 - black, 255 - 100% blue)
4	0 - 255	Internal programs
5	0 - 255	Strobe
6	0 - 255	Dimmer/Speed

### 12 Channel Mode:

Channel	Value	Function
1	0 - 255	Red (0 - black, 255 - 100% red)
2	0 - 255	Green (0 - black, 255 - 100% green)
3	0 - 255	Blue (0 - black, 255 - 100% blue)
4	0 - 255	Red (0 - black, 255 - 100% red)
5	0 - 255	Green (0 - black, 255 - 100% green)
6	0 - 255	Blue (0 - black, 255 - 100% blue)
7	0 - 255	Red (0 - black, 255 - 100% red)
8	0 - 255	Green (0 - black, 255 - 100% green)
9	0 - 255	Blue (0 - black, 255 - 100% blue)
10	0 - 255	Red (0 - black, 255 - 100% red)
11	0 - 255	Green (0 - black, 255 - 100% green)
12	0 - 255	Blue (0 - black, 255 - 100% blue)

### 15 Channel Mode:

Channel	Value	Function
1	0 - 255	Red (0 - black, 255 - 100% red)
2	0 - 255	Green (0 - black, 255 - 100% green)
3	0 - 255	Blue (0 - black, 255 - 100% blue)
4	0 - 255	Red (0 - black, 255 - 100% red)
5	0 - 255	Green (0 - black, 255 - 100% green)
6	0 - 255	Blue (0 - black, 255 - 100% blue)
7	0 - 255	Red (0 - black, 255 - 100% red)
8	0 - 255	Green (0 - black, 255 - 100% green)
9	0 - 255	Blue (0 - black, 255 - 100% blue)
10	0 - 255	Red (0 - black, 255 - 100% red)
11	0 - 255	Green (0 - black, 255 - 100% green)
12	0 - 255	Blue (0 - black, 255 - 100% blue)
13	0 - 255	Internal Programs
14	0 - 255	Strobe
15	0 - 255	Dimmer/Speed