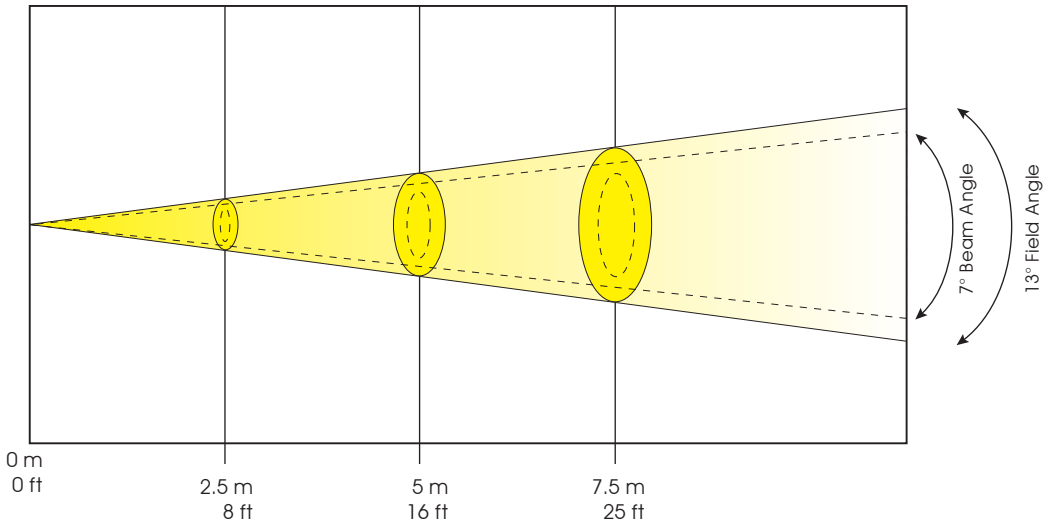


Design LED Par Zoom
Photometric Beam Angle Data

7° Beam Angle, 13° Field Angle

LUX x 0.0929 = FC

R (12)	81 FC / 868 LUX	20 FC / 218 LUX	9 FC / 95 LUX
G (12)	424 FC / 4,562 LUX	111 FC / 1,192 LUX	49 FC / 530 LUX
B (12)	61 FC / 660 LUX	15 FC / 162 LUX	7 FC / 72 LUX
RGB (36)	613 FC / 6,600 LUX	146 FC / 1,573 LUX	65 FC / 695 LUX



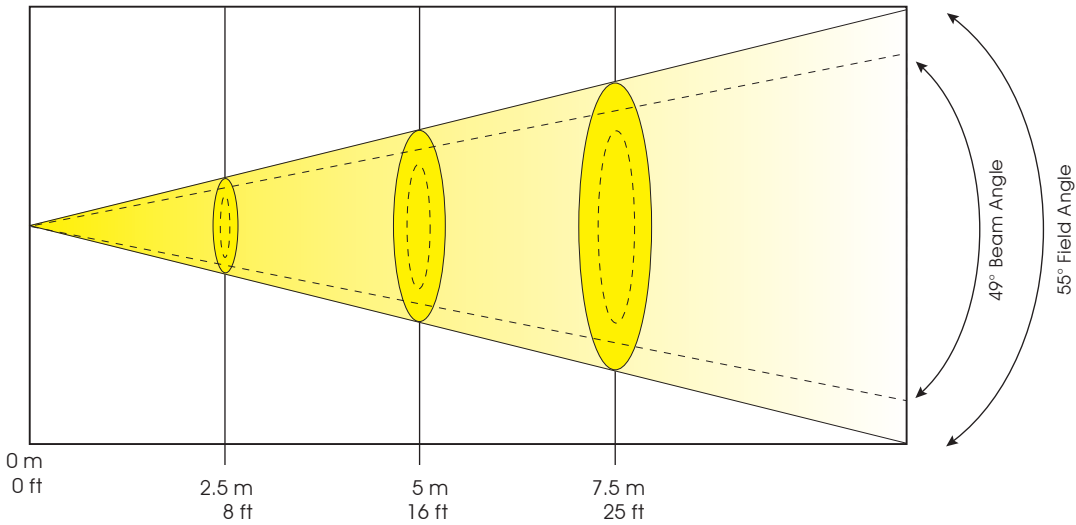
Beam Diameter

7° Beam Angle	Ø 0.30 m / Ø 0.98 ft	Ø 0.60 m / Ø 2.00 ft	Ø 0.90 m / Ø 3.00 ft
13° Field Angle	Ø 0.58 m / Ø 2.00 ft	Ø 1.16 m / Ø 4.00 ft	Ø 1.74 m / Ø 6.00 ft

49° Beam Angle, 55° Field Angle

LUX x 0.0929 = FC

R (12)	6 FC / 70 LUX	2 FC / 22 LUX	0.7 FC / 8 LUX
G (12)	28 FC / 298 LUX	9 FC / 93 LUX	4 FC / 38 LUX
B (12)	4 FC / 38 LUX	1 FC / 11 LUX	0.4 FC / 4.7 LUX
RGB (36)	37 FC / 402 LUX	11 FC / 123 LUX	5 FC / 49 LUX



Beam Diameter

49° Beam Angle	Ø 2.30 m / Ø 7.50 ft	Ø 4.60 m / Ø 15.10 ft	Ø 6.90 m / Ø 22.64 ft
55° Field Angle	Ø 2.61 m / Ø 9.00 ft	Ø 5.22 m / Ø 17.00 ft	Ø 7.83 m / Ø 26.00 ft