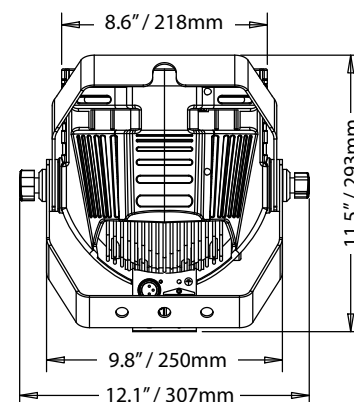
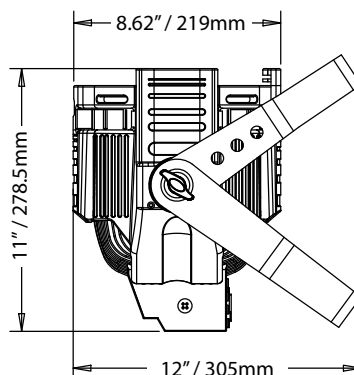


# Design LED Par Zoom



Rear Panel



**The DLED Par Zoom by Elation Professional is a motorized zoom LED professional par featuring 10° to 60° motorized zoom. This unit is equipped with 36 x 3 Watt RGB LEDs and with its smooth color mixing and flicker free operation is suitable for use in film and television. The design of the DLED Par Zoom is optimized featuring a rugged design and die cast aluminum casing.**

## FEATURES

- Motorized Zoom LED Pro Par
- 36 x 3W RGB LEDs
- 10° to 60° motorized zoom
- 4 Digit LED display-Flip Option
- Manual mode On Board Control
- Master/Slave mode
- 8 Built in Chases – w/fade, speed, strobe
- Sound Active mode
- Built In Color Macros
- Smooth Color Mixing Flicker Free
- Die Cast Aluminum W/Gel Frame Holder
- Gel Frame Included
- Rugged Design Par
- Case Color: Black
- Split Yoke up-light bracket

## TECHNICAL SPECIFICATIONS

- **DMX Channels:** 8 DMX Channels
- **Control:** USITT DMX-512 3-Pin XLR In/Out
- **Color:** Smooth color mixing flicker free
- **Strobe:** Strobe effect (1-18 flashes per second)
- **Zoom:** 10° to 60° motorized zoom
- **Power Supply:** 120v-240v 50/60hz
- **Power consumption:** 60W MAX
- **Ballast:** Electronic Power supply
- **Cooling:** Fan Cooled (High-Auto setting)
- **Cable / Plug Type:** Locking IEC Edison PPG 120v
- **Approvals:** CE Approved
- **IP Rating:** IP20
- **Lux:** 6,600 lux / 613 FC at 2.5m / 8'
- **Lamps:** 12 Red, 12 Green, 12 Blue 3W LEDs
- **Lamp Life:** 50,000 hrs. life
- **Dimensions:** (LxWxH): 13" x 13.3" x 20" / 330.2 x 338 x 508 mm
- **Weight:** 15.4 lbs. 7 kg.

# Design LED Par Zoom



## PHOTOMETRICS

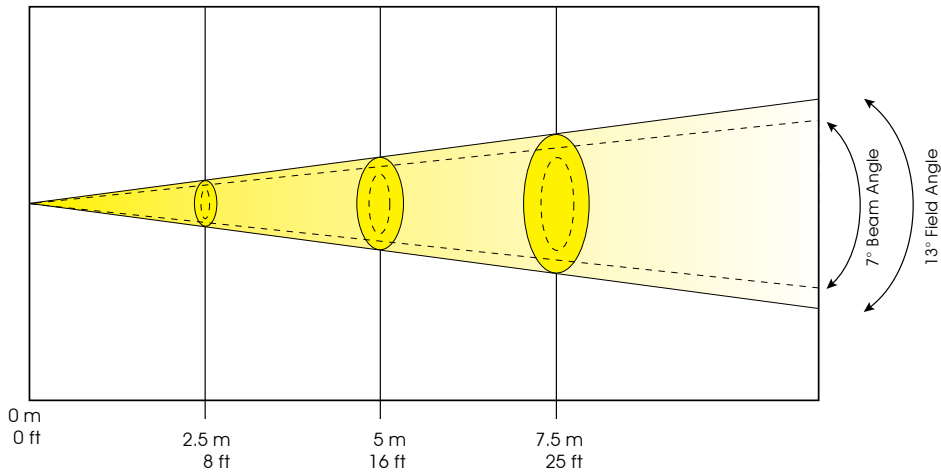
### Design LED Par Zoom

#### Photometric Beam Angle Data

##### 7° Beam Angle, 13° Field Angle

LUX x 0.0929 = FC

R (12)	81 FC / 868 LUX	20 FC / 218 LUX	9 FC / 95 LUX
G (12)	424 FC / 4,562 LUX	111 FC / 1,192 LUX	49 FC / 530 LUX
B (12)	61 FC / 660 LUX	15 FC / 162 LUX	7 FC / 72 LUX
RGB (36)	613 FC / 6,600 LUX	146 FC / 1,573 LUX	65 FC / 695 LUX



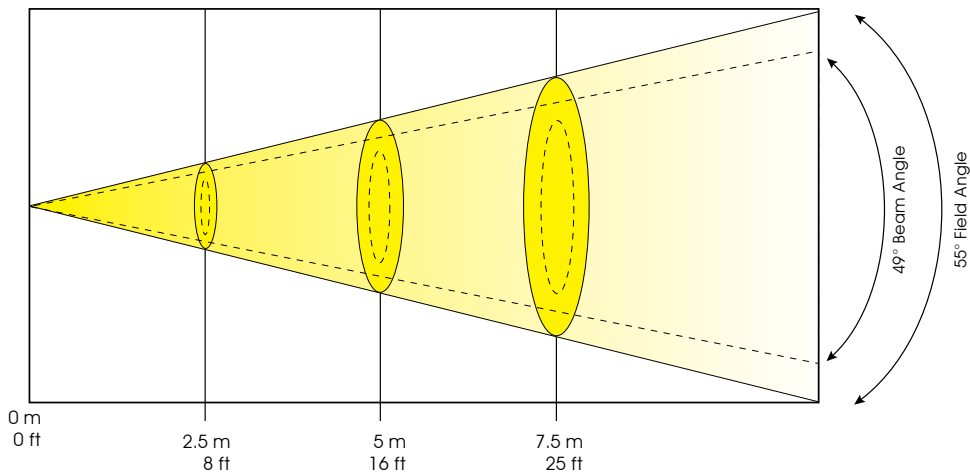
#### Beam Diameter

7° Beam Angle	Ø 0.30 m / Ø 0.98 ft	Ø 0.60 m / Ø 2.00 ft	Ø 0.90 m / Ø 3.00 ft
13° Field Angle	Ø 0.58 m / Ø 2.00 ft	Ø 1.16 m / Ø 4.00 ft	Ø 1.74 m / Ø 6.00 ft

##### 49° Beam Angle, 55° Field Angle

LUX x 0.0929 = FC

R (12)	6 FC / 70 LUX	2 FC / 22 LUX	0.7 FC / 8 LUX
G (12)	28 FC / 298 LUX	9 FC / 93 LUX	4 FC / 38 LUX
B (12)	4 FC / 38 LUX	1 FC / 11 LUX	0.4 FC / 4.7 LUX
RGB (36)	37 FC / 402 LUX	11 FC / 123 LUX	5 FC / 49 LUX



#### Beam Diameter

49° Beam Angle	Ø 2.30 m / Ø 7.50 ft	Ø 4.60 m / Ø 15.10 ft	Ø 6.90 m / Ø 22.64 ft
55° Field Angle	Ø 2.61 m / Ø 9.00 ft	Ø 5.22 m / Ø 17.00 ft	Ø 7.83 m / Ø 26.00 ft

# Design LED Par Zoom



## DMX TRAITS

### 8 DMX Channels:

Channel	Value	Function
1	1 - 255	Red Intensity 0% - 100%
2	1 - 255	Green Intensity 0% - 100%
3	1 - 255	Blue Intensity 0% - 100%
4	1 - 255	Color Macro
5	1 - 255	Chase Programs
6	1 - 255	Shutter/Strobe
7	1 - 255	Dimming
8	1 - 255	Zoom

Product Order Code	Description
EDL-490	108w LED RGB die cast par w 10°-60° zoom
Optional Accessories	Description
LSF 1010	10X10" LIGHT SHAPING FILTER 10° X 60°
NARROW CLAMP	2" PIPE WRAP AROUND ALUMINUM CLAMP
DRC OPTIPAR	8 PACK ROAD CASE FOR DLED PAR ZOOM