



## OPTI TRI WHITE II™

SKU# OTW801

The new updated Opti Tri White II™ features (18) 5W 4-in-1 Multi-Chip Variable White (Cool, Warm, and Amber)LEDs, 100,000 average hour LED life, 20° standard beam lens, electronic strobe and dimming (0-100%), (5) variable dimming curve modes, dual yoke / floor stand, multiple unit power linking, rugged die-cast aluminum exterior, flicker free operation for TV and FILM, 120W max power consumption, and a multi-voltage universal auto switching power supply (110-240v).

### FEATURES

- High Output Tri-White LED Par
- (18) 5W 4-in-1 Multi-Chip Variable White LEDs
- Cool White, Warm White, and Amber
- 100,000 Average Hour LED Life
- 20° Standard Beam Lens
- (5) Variable Dimming Curve Modes
- Dual Yoke / Floor Stand
- Multiple Unit Power Linking
- Rugged Die-Cast Aluminum Exterior
- Flicker Free Operation for TV and FILM



ELATION | OPTI TRI WHITE II™ | Product Specification Sheet

Specifications are subject to change without notice ©Elation Professional

Elation Professional USA | 6122 S. Eastern Ave. | Los Angeles, CA. 90040  
323-582-3322 | 323-832-9142 fax | www.elationlighting.com | info@elationlighting.com

Elation Professional B.V. | Junostraat 2 | 6468 EW Kerkrade, Netherlands  
+31 45 546 85 66 | +31 45 546 85 96 fax | www.elationlighting.eu | info@elationlighting.eu

**PRODUCT SPECIFICATIONS**

**FEATURES**

High Output Tri-White LED Par  
Cool White, Warm White, and Amber  
20° Standard Beam Lens  
(5) Variable Dimming Curve Modes  
Flicker Free Operation for TV and FILM

**SOURCE**

(18) 5W 4-in-1 Multi-Chip Variable White LEDs  
100,000 Hour Average LED Life

**PHOTOMETRIC DATA**

20,190 LUX (1,876 FC) @ 3.3' (1m) (FULL ON)  
5,681 LUX (528 FC) @ 6.6' (2m) (FULL ON)  
2,605 LUX (242 FC) @ 9.8' (3m) (FULL ON)  
1,583 LUX (147 FC) @ 13.1' (4m) (FULL ON)  
1009 LUX (FC) @ 16.4' (5m) (FULL ON)

**EFFECTS**

Electronic Strobe  
Variable Color Temperature Macros  
Electronic Dimming: 0% - 100%  
(5) Variable Dimming Curve Modes

**CONTROL / CONNECTIONS**

(2) DMX Channel Modes (4 / 8)  
(3) Button Control Panel  
LCD Menu Display  
3pin/5pin DMX In/Out  
powerCON In/Out

**SIZE / WEIGHT**

Length: 11.0" (280mm)  
Width: 8.7" (221mm)  
Vertical Height: 14.1" (358mm)  
Weight: 10.5 lbs. (4.8 kg)

**ELECTRICAL / THERMAL**

AC 120-230V - 50/60Hz  
120W Max Power Consumption  
Power Linking: 5pcs Max @110V / 10pcs Max @230V

**APPROVALS / RATINGS**

CE | cETLus | IP20

**INSTALLATION**

Rigging: Integrated Dual Yoke / Floor Stand  
Working Position: Any (360°)

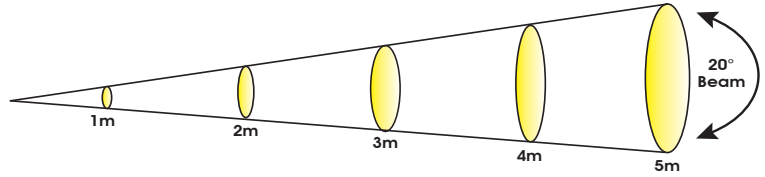
**INCLUDED ITEMS**

Gel Frame  
powerCON Cable



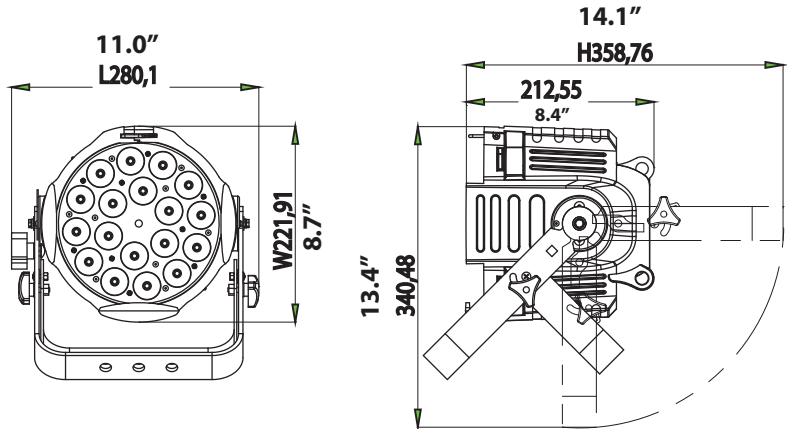
Optional Barndoor SKU# BD-03

**PHOTOMETRIC DATA**



Distance	1m	3.3 ft	2m	6.6 ft	3m	9.8 ft	4m	13.1 ft	5m	16.4 ft
<b>Photometrics</b>	<b>lux</b>	<b>fc</b>	<b>lux</b>	<b>fc</b>	<b>lux</b>	<b>fc</b>	<b>lux</b>	<b>fc</b>	<b>lux</b>	<b>fc</b>
COOL WHITE LEDs	7,336	682	2,084	194	946	88	578	54	365	34
WARM WHITE LEDs	10,640	988	2,974	276	1,373	128	810	75	515	48
AMBER LEDs	3,423	318	964	90	440	41	313	29	187	17
<b>ALL FULL ON</b>	<b>20,190</b>	<b>1,876</b>	<b>5,681</b>	<b>528</b>	<b>2,605</b>	<b>242</b>	<b>1,583</b>	<b>147</b>	<b>1,009</b>	<b>94</b>

**DIMENSIONAL DIAGRAMS**



**OPTIONAL ACCESSORIES**

ORDER CODE	ITEM
<b>TRIGGER CLAMP</b>	Heavy Duty Wrap Around Hook Style Clamp
<b>BD-03</b>	Barn Door
<b>LSF536</b>	Light Shaping Filter 30° 20" x 24" Sheet
<b>LSF537</b>	Light Shaping Filter 20° 20" x 22" Sheet
<b>LSF538</b>	Light Shaping Filter 60° x 1° 20" x 24" Sheet
<b>LSF559</b>	Light Shaping Filter 10° 20" x 24" Sheet
<b>EWDMXSYSTEM</b>	Wireless DMX System (1 Transmitter, 1 Receiver)
<b>EWDMXT</b>	Wireless DMX Transmitter
<b>EWDMXR</b>	Wireless DMX Receiver
<b>PLC3</b>	3' (1m) PowerCON PRO Link Cable
<b>PLC6</b>	6' (1.8m) PowerCON PRO Link Cable
<b>AC3PDMX5PRO</b>	5 ft. (1.5m) 3pin PRO DMX Cable
<b>AC5PDMX5PRO</b>	5 ft. (1.5m) 5pin PRO DMX Cable
	Additional Cable Lengths Available



Specifications are subject to change without notice ©Elation Professional

Elation Professional USA | 6122 S. Eastern Ave. | Los Angeles, CA. 90040  
323-582-3322 | 323-832-9142 fax | www.elationlighting.com | info@elationlighting.com

Elation Professional B.V. | Junostraat 2 | 6468 EW Kerkrade, Netherlands  
+31 45 546 85 66 | +31 45 546 85 96 fax | www.elationlighting.eu | info@elationlighting.eu